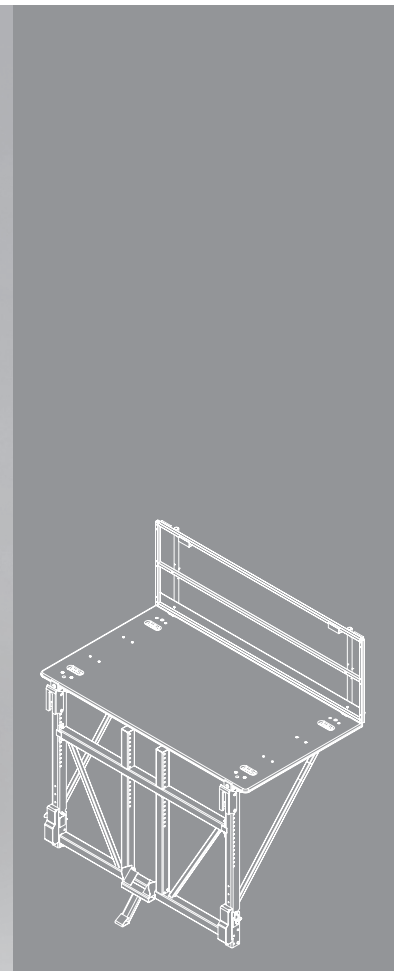
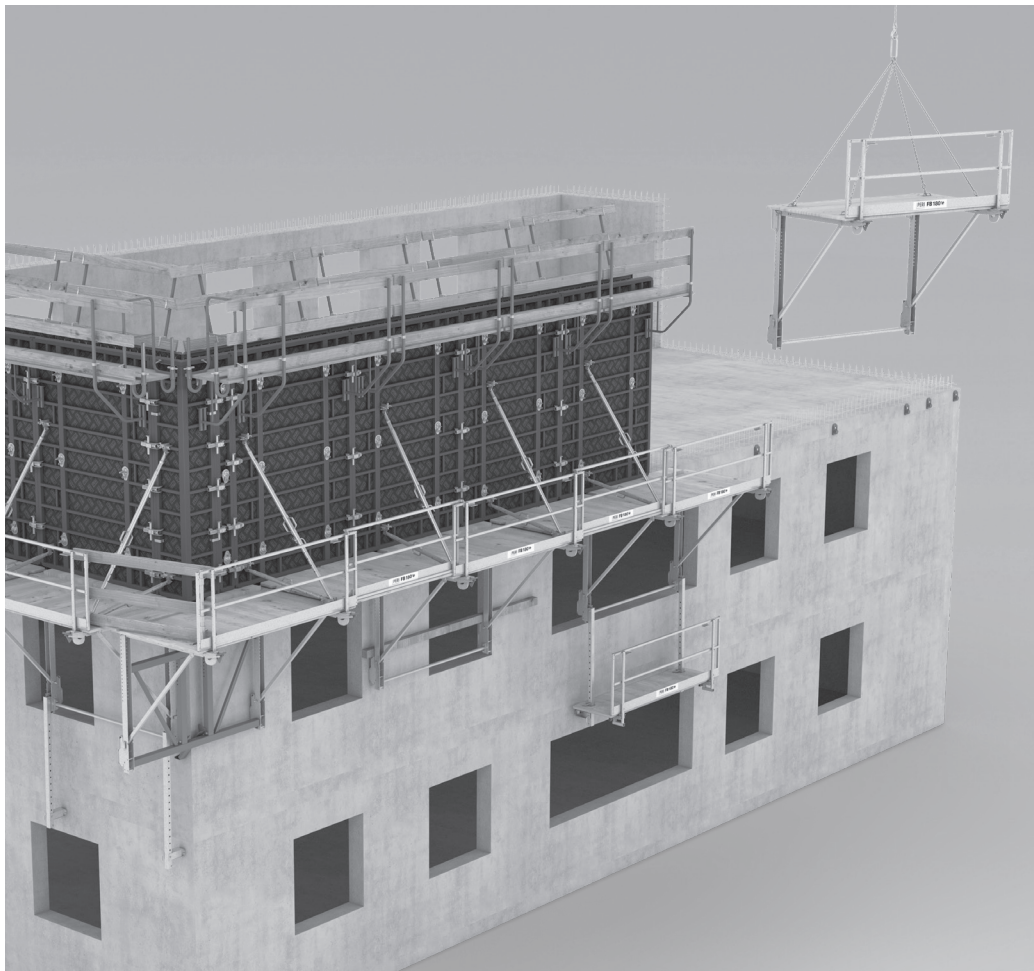


Folding Platform FB 180-3

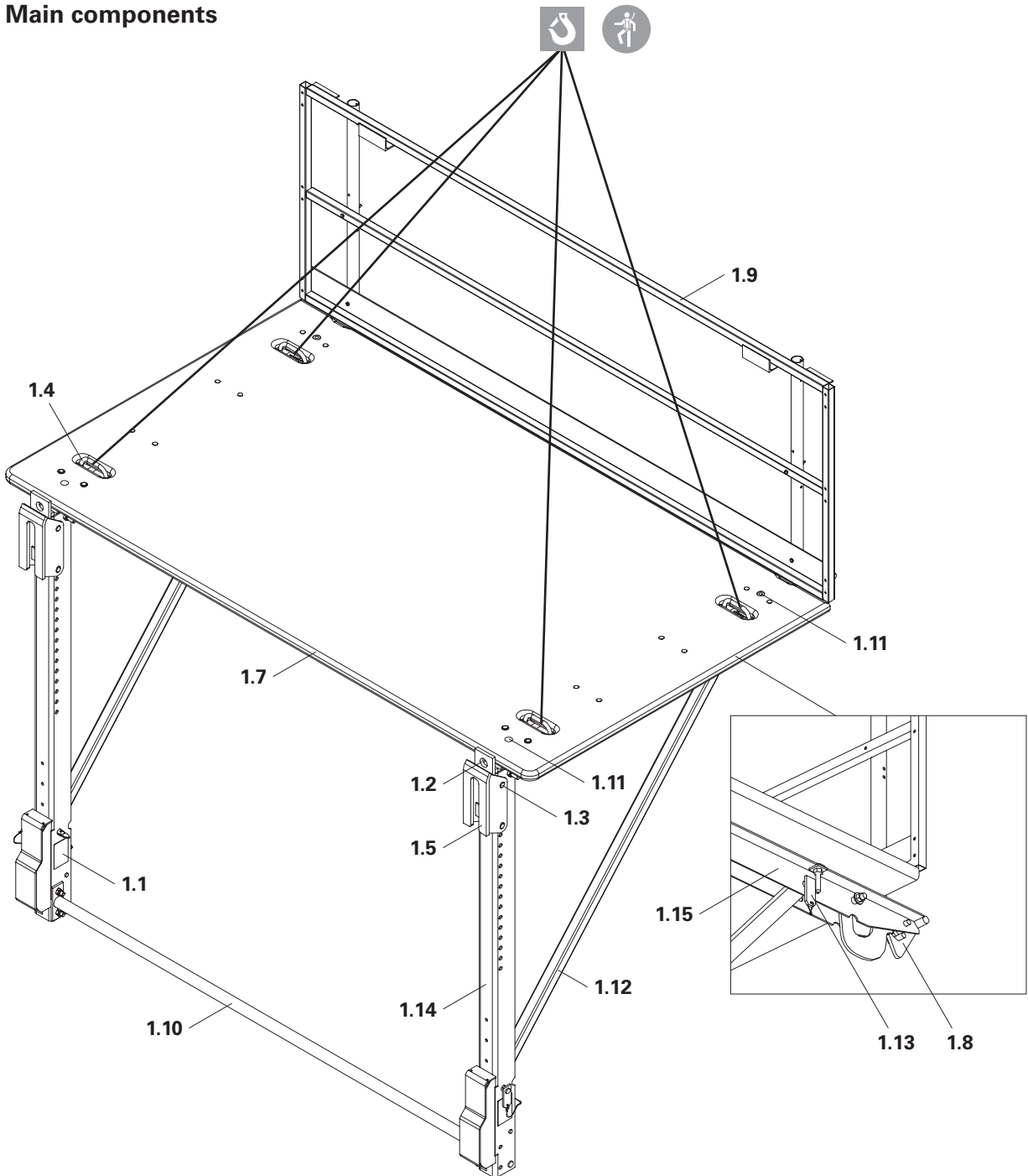
Platform system

Instructions for Assembly and Use – Standard Configuration – Version 2.0



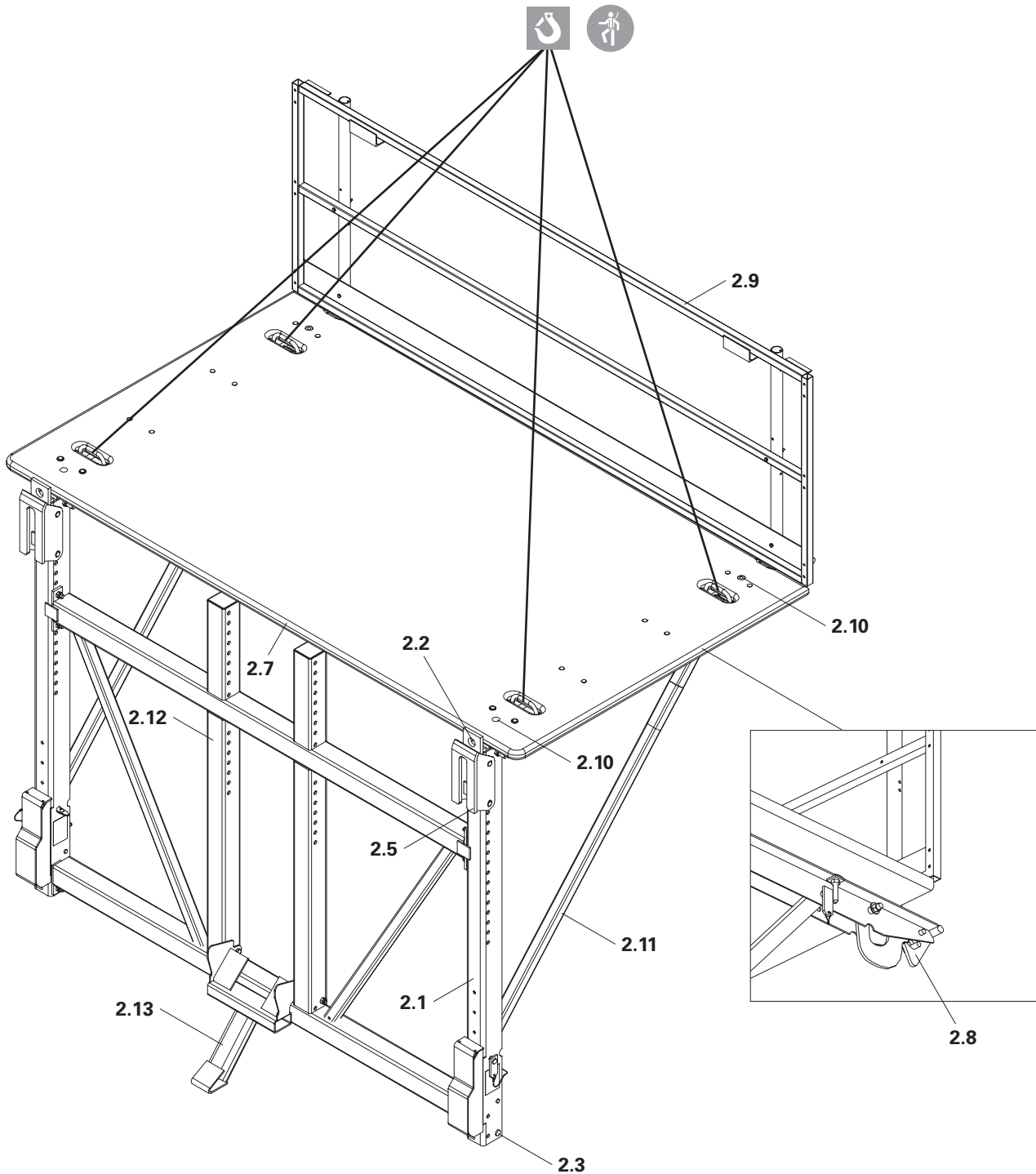
| | | | |
|---|--|----|--|
| Overview | | | |
| Main components | | 3 | |
| Key | | 6 | |
| Introduction | | | |
| Target groups | | 7 | |
| Additional technical documentation | | 7 | |
| Product description | | 8 | |
| Instructions for Use | | 8 | |
| Cleaning and maintenance instructions | | 9 | |
| Instructions for Use | | 9 | |
| Safety instructions | | | |
| Cross-system | | 10 | |
| System-specific | | 12 | |
| Component overview and tool list | | | |
| Parts list | | 14 | |
| Tightening torques | | 15 | |
| A Assembly and dismantling | | | |
| A1 Storage and transportation | | | |
| Storage | | 16 | |
| Transportation | | 16 | |
| A2 Folding Platform FB 180 - 3/300 | | | |
| Use as main platform | | 17 | |
| A3 Intermediate Platform FBZ 240 | | | |
| Use as intermediate platform | | 20 | |
| Use as end platform | | 21 | |
| Use as internal corner platform | | 22 | |
| A4 Folding Corner Platform FEB 180 - 3/300 | | | |
| Use as external corner platform | | 24 | |
| A5 Support extension 200, 300 | | | |
| Support extension 200 | | 26 | |
| Support extension 300 | | 27 | |
| A6 Finishing Platform FBN-2/300 | | | |
| A7 Guardrail extension | | | |
| A8 Anchoring | | | |
| With Mounting Head FB | | 30 | |
| With Loop Mounting Head-2 FB | | 35 | |
| B Application | | | |
| B1 Application as a working scaffold | | | |
| Standard – Applications up to Load Class 4 | | 36 | |
| Special application – Load Class 5 | | 37 | |
| B2 Use as formwork scaffolding | | | |
| With mounted formwork | | 38 | |
| With supported formwork without tension anchor | | 39 | |
| With supported formwork and tension anchor | | 40 | |
| Temporary support on the structure | | 42 | |
| Overview of the alternatives | | 43 | |
| Control range | | 44 | |
| Corner area | | 45 | |
| B3 Overview of application FB 180-3 | | | |
| B4 Use as safety scaffold | | | |
| Use as roof safety scaffold | | 47 | |
| Use as protection roof | | 47 | |
| B5 Use as roof edge protection scaffold | | | |
| Without guardrail extension | | 48 | |
| With guardrail extension | | 48 | |
| B6 Bridging openings | | | |
| With Finishing Platform FBN-2 | | 50 | |
| With horizontal girders | | 51 | |
| B7 Deck bridging options | | | |
| With Intermediate Platform FBZ | | 52 | |
| With individual scaffold boards | | 53 | |
| B8 Layout planning | | | |
| Layout planning | | 54 | |
| Program overview | | | |
| FB 180 Folding Platform System | | 56 | |

Main components



Folding Platform FB 180 - 3/300

- | | | | | | |
|-----|-----------------------------------|------|------------------------------|------|-------------------|
| 1.1 | Folding bracket | 1.7 | Deck | 1.13 | Bolt |
| 1.2 | Lifting eye | 1.8 | Safety pawl | 1.14 | Vertical member |
| 1.3 | Bolt Ø 25 | 1.9 | Main platform handrail frame | 1.15 | Horizontal member |
| 1.4 | Crane eye | 1.10 | Horizontal strut | | |
| 1.5 | Mounting Head FB | 1.11 | Universal Coupler DW 15 | | |
| 1.6 | Loop mounting head (not shown) | 1.12 | Strut with bolt | | |

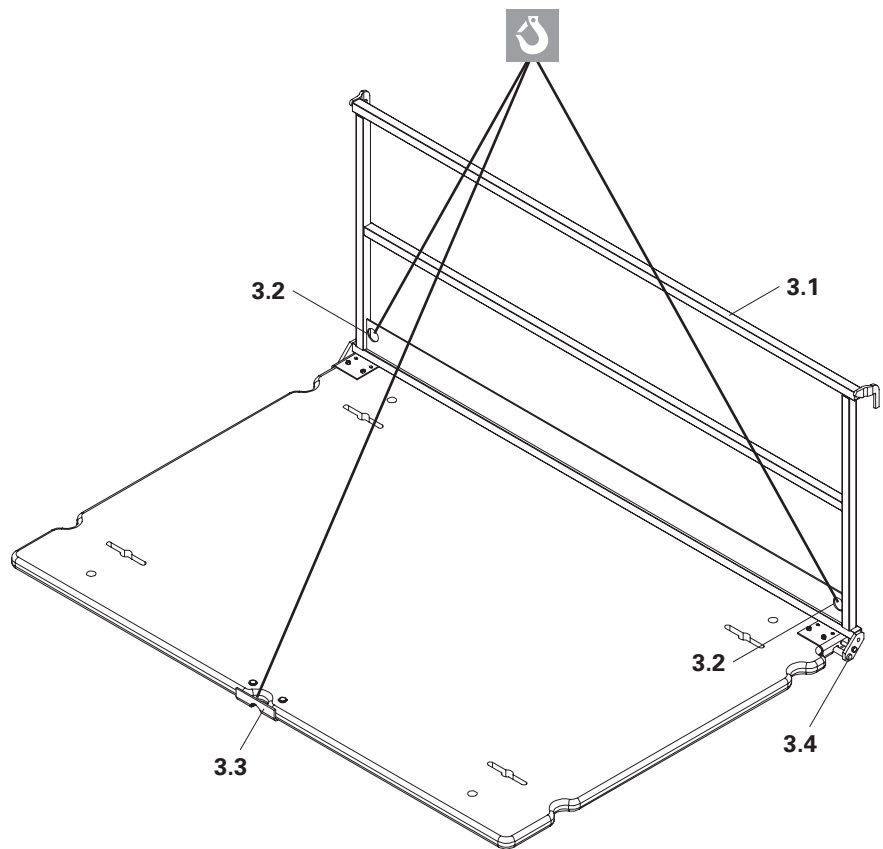


Folding Corner Platform FEB 180 - 3/300

- | | | | | | |
|-----|-----------------------------------|------|------------------------------|------|---------|
| 2.1 | Folding bracket | 2.7 | Deck | 2.13 | Support |
| 2.2 | Lifting eye | 2.8 | Safety pawl | | |
| 2.3 | Bolt Ø 25 | 2.9 | Main platform handrail frame | | |
| 2.4 | Crane eye | 2.10 | Universal Coupler DW 15 | | |
| 2.5 | Mounting Head FB | 2.11 | Strut with bolt | | |
| 2.6 | Loop mounting head (not shown) | 2.12 | Corner Platform Frame FEB | | |

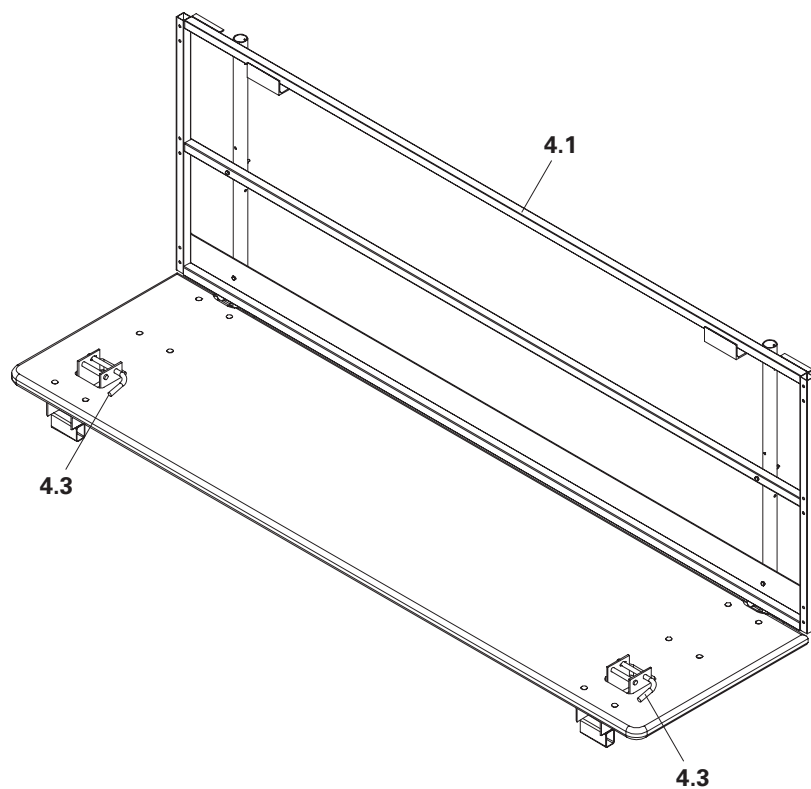
Intermediate Platform FBZ 240

- 3.1 Intermediate platform handrail frame
- 3.2 Crane eyes on guardrail
- 3.3 Crane eye on deck
- 3.4 Locking screw AF 19



Finishing Platform FBN-2/300

- 4.1 Finishing platform handrail frame
- 4.2 Safety hook (not shown)
- 4.3 Safety pins



Folding Platform FB 180-3

Key

Pictogram | Definition



Danger / Warning / Caution



Note



To be complied with



Load-bearing point



Visual inspection



Tip



Incorrect use



Safety helmet



Safety shoes



Safety gloves



Safety goggles



Personal protective equipment to prevent falling from a height (PPE)

Arrows



Arrow representing an action



Arrow representing a reaction of an action*



Arrow representing forces

* If not identical to the action arrow.

Safety instruction categories

The safety instructions alert site personnel to the risks involved and provide information on how to avoid these risks. Safety instructions are featured at the beginning of the section or ahead of the instructions, and are highlighted as follows:



Danger

This sign indicates an extremely hazardous situation which, if not avoided, will result in death or serious, irreversible injury.



Warning

This sign indicates a hazardous situation which, if not avoided, could result in death or serious, irreversible injury.



Caution

This sign indicates a hazardous situation which, if not avoided, could result in minor or moderate injury.



Note

This sign indicates situations in which failure to observe the information can result in material damage.

Format of the safety instructions



Signal word

Type and source of hazard!
Consequences of non-compliance.
⇒ Preventative measures.

Target groups

Contractors

These Instructions for Assembly and Use are designed for contractors who either

- assemble, modify or dismantle the climbing systems, or
- use them, e.g. for concreting, or
- allow them to be used for other operations, e.g. carpentry or electrical work.

Competent person

(Construction Site Coordinator)

The Safety and Health Protection Coordinator*

- is appointed by the client,
- must identify potential hazards during the planning phase,
- determines measures that provide protection against risks,
- creates a safety and health protection plan,
- coordinates the protective measures for the contractor and site personnel so that they do not endanger each other,
- monitors compliance with the protective measures.

Competent persons qualified to carry out inspections

Due to the specialist knowledge gained from professional training, work experience and recent professional activity, the competent person qualified to carry out inspections has a reliable understanding of safety-related issues and can carry out inspections correctly. Depending on the complexity of the inspection to be undertaken, e.g. scope of testing, type of testing or the use of certain measuring devices, a range of specialist knowledge is necessary.

Qualified personnel

Climbing systems may only be assembled, modified or dismantled by personnel who are suitably qualified to do so. Qualified personnel must have completed a course of training** in the work to be performed, covering the following points at least:

- Explanation of the plan for the assembly, modification or dismantling of the climbing system in an understandable form and language.
- Description of the measures for safely assembling, modifying or dismantling the climbing system.

- Naming of the preventive measures to be taken to avoid the risk of persons and objects falling.
- Designation of the safety precautions in the event of changing weather conditions that could adversely affect the safety of the system, as well as the personnel concerned.
- Details regarding permissible loads.
- Description of all other risks and dangers associated with assembly, modification or dismantling operations.



- **In other countries, ensure that the relevant national guidelines and regulations in the respective current version are complied with!**
- **If no country-specific regulations are available, it is recommended to proceed according to German guidelines and regulations.**
- **A competent person must be on site when any work is carried out on the climbing system, as well as during the climbing procedure.**

* Valid in Germany: Regulations for Occupational Health and Safety on Construction Sites 30 (RAB 30).

** Instructions are given by the contractor themselves or a competent person selected by them.

Additional technical documentation

- National Technical Approvals:
 - Tie Sleeve M24: Z-21.6-1768 screw-on cone
 - M24/DW 20: Z-21.6-1766
- Design Tables 2015 – Formwork and Shoring
- Brochure for Folding Platform FB 180-3

Product description

The Working and Safety Scaffold System FB 180-3 consists of:

- Folding Platform FB 180 - 3/300
- Intermediate Platform FBZ 240
- Folding Corner Platform FEB 180 - 3/300 (main platform with corner platform frame)
- Folding Bracket FB 180 - 3.

Regular assembly

These Instructions for Assembly and Use describe the standard assembly of the Platform System FB 180-3.

Definition of a working scaffold

Extract from DIN EN 12811:

A temporary building construction for providing a safe working area for the construction, maintenance, repair and demolition of buildings and other structures and the required access for carrying out work.

Intended use

The Folding Platform FB 180-3 is used as a work and safety scaffold in accordance with DIN EN 12811 and DIN 4420. The platforms are pre-assembled and are completely foldable due to the foldable guardrail frames. The Main Platforms FB 180-3, in combination with the intermediate platforms, allow for a uniform bracket spacing of 2.50 m. Smaller bracket spacings between the main platforms can be continuously bridged by means of intermediate platforms.

PERI products have been designed for exclusive use in the industrial and commercial sectors only by suitably trained personnel.

Features

- The decks are comprised of 45-mm-thick, 15-ply, waterproof bonded wooden boards.
- All steel parts are galvanised whilst only the corner platform frames and securing components are red powder-coated.
- The PERI folding platform system provides solutions for 90° internal and external corners.
- Finishing platforms and support extensions are also included in the comprehensive range of accessories.

Suspension possibilities

- with Mounting Head FB on the Suspension Shoe FB
- with Loop Mounting Head FB on mounting loops.

Technical data:

Permissible load according to DIN EN 12811:

- Standard use with main, intermediate and corner platforms 300 kg/m² (Load Class 4).
- Special application only with main platforms 450 kg/m² (Load Class 5).

Max. utilisation height above ground level: 100 m, not in coastal regions.

Instructions for Use

Use in a way not intended, deviating from the standard configuration or the intended use according to the Instructions for Assembly and Use, represents a misapplication with a potential safety risk, e.g. risk of falling.

Only PERI original components may be used. The use of other products and spare parts is not allowed and represents a misapplication with associated safety risks.

Changes to PERI components are not permitted.

The system described in these Instructions for Assembly and Use may contain patent-protected components.

Cleaning and maintenance instructions

In order to maintain the value and operational readiness of the materials over the long term, clean the panels after each use.

Some repair work will be inevitable due to the working conditions.

The following points should help to keep cleaning and maintenance costs as low as possible.

Spray components of the climbing system that are exposed to concrete contamination with concrete release agent before each use; this makes them easier and faster to clean.

Spray the concrete release agent very thinly and evenly.

Do not spray work platforms and access routes with concrete release agent.

Slip hazard.

Spray the climbing system with water immediately after concreting; this avoids any time-consuming and costly cleaning operations.

Mechanical components, e.g. spindles or gear mechanisms, must be cleaned of dirt or concrete residue before and after use, and then greased with a suitable lubricant.

Never clean powder-coated components, e.g. elements and accessories, with a steel brush or hard metal scraper; this ensures that the powder-coating remains intact.

Provide suitable support for the components during cleaning so that no unintentional change in their position is possible.

Do not clean components suspended on crane lifting gear.

Instructions for Use

Use in a way not intended, deviating from the standard configuration or the intended use according to the Instructions for Assembly and Use, represents a misapplication with a potential safety risk, e.g. risk of falling.

Deviations from the standard configuration must be verified for the application by means of separate strength and stability calculations (Industrial Safety Regulation Appendix 1, No. 3.2.1 and explicitly reflected in the assembly instructions.)

Changes to PERI components are not permitted.

The system described in these Instructions for Assembly and Use may contain patent-protected components.

Cross-system



Safety instructions apply to all service life phases of the system.

General

The contractor must ensure that the Instructions for Assembly and Use supplied by PERI are available at all times and understood by the site personnel.

These Instructions for Assembly and Use can be used as the basis for creating a risk assessment. The risk assessment is compiled by the contractor. However, these Instructions for Assembly and Use do not replace the risk assessment!

Refer to and comply with the safety instructions and permissible loads.

For the application and inspection of PERI products, the current safety regulations and guidelines valid in the respective countries must be observed.

Materials and working areas are to be inspected before each use and assembly, for:

- damage,
- stability and
- functional correctness.

Damaged components must be exchanged immediately on site and may no longer be used.

Safety components are to be removed only when they are no longer required.

When on slab formwork, scaffolds and working platforms:

- do not jump,
- do not run,
- do not drop anything from or onto it.

Components provided by the contractor must comply with the characteristics stipulated in these Instructions for Assembly and Use and all applicable laws and standards. Unless otherwise indicated, the following applies in particular:

- timber components: strength class C24 for solid wood according to EN 338.
- scaffold tubes: galvanised steel tubing with minimum dimensions $\varnothing 48.3 \times 3.2$ mm according to EN 12811-1:2003 4.2.1.2.
- scaffold tube couplings according to EN 74-1 and EN 74-2.

Deviations from the standard configuration are only permitted after a further risk assessment has been carried out by the contractor.

Appropriate measures for working and operational safety, as well as stability, are defined on the basis of this risk assessment.

Corresponding proof of stability can be provided by PERI on request, if the risk assessment and resulting measures to be implemented are made available.

Before and after extraordinary events that may have damaging effects on the safety of the climbing system, the contractor shall immediately

- produce another risk assessment and make use of its results to take suitable steps to guarantee the stability of the climbing system,
- arrange for an extraordinary inspection to be carried out by a competent person qualified to do so. The aim of this inspection is to identify and rectify any damage in good time in order to guarantee safe use of the climbing system.

Exceptional events could be:

- accidents,
- long periods of non-use,
- natural events, e.g. heavy rainfall, icing, heavy snowfall, storms or earthquakes.

Assembly, modification and dismantling work

Assembly, modification or dismantling of climbing systems may only be carried out by qualified persons under the supervision of a competent person. The qualified personnel must have received appropriate training for the work to be carried out with regard to specific risks and dangers.

On the basis of the risk assessment and Instructions for Assembly and Use, the contractor must create installation instructions, in order to ensure safe assembly, modification and dismantling of the climbing unit.



The contractor must ensure that the personal protective equipment required for the assembly, modification or dismantling of the climbing formwork, e.g.

- safety helmet,
- safety shoes,
- safety gloves,
- safety goggles,

is available and used as intended.



If personal protective equipment against falling from a height (PPE) is required or specified in local regulations, the contractor must determine appropriate attachment points on the basis of the risk assessment.

The PPE against falling to be used is determined by the contractor.

The contractor must

- provide safe working areas for site personnel, which are to be reached through the provision of safe access ways. Danger zones must be cordoned off and clearly marked.
- ensure stability during all stages of construction, in particular during assembly, modification and dismantling operations.
- ensure and demonstrate that all loads that occur are safely transferred.

Use

Every contractor who uses or allows the climbing systems to be used, is responsible for ensuring that the equipment is in good condition.

If the climbing system is used successively or at the same time by several contractors, the health and safety coordinator must point out any possible mutual hazards and all work must be then coordinated.

System-specific



Safety instructions apply to all service life phases of the system.

Make sure that the guardrails and/or edge covers at building openings and projections are fully installed before accessing the climbing/formwork system.

Strike components only when the concrete has sufficiently hardened and the person in charge has given the go-ahead for striking to take place.

Anchoring is to take place only if the anchorage has sufficient concrete strength.

Inspection of the anchoring and associated components must be carried out by the party responsible.

As a result of the relocation procedure, falling edges are formed between the platforms. Such affected areas are to be cordoned off.

Site personnel, construction materials or tools must not be transported with the crane during relocation operations. Exceptions to this can be determined through the operational working and assembly instructions.

Operational working areas at great heights are to be secured by means of appropriate measures to prevent objects from falling down.

The enclosure of the platform or mounting of additional surfaces exposed to the wind changes the degree of stability and must be rechecked. If necessary, additional measures must be implemented.

Use a guide rope to ensure that assembly units suspended from the crane are fully under control when being moved.

Welding and/or abrasive cutting work must not be carried out on the platforms.

Reliable lightning conduction must be ensured by the contractor.

Assembly work

The contractor must ensure that the user has an appropriate and sufficient number of tools, lifting equipment and slings, suitable and sufficient space for assembly and storage as well as adequate crane capacity at his disposal.

During the transportation procedure, only use the specified attachment points for components.

Avoid standing under suspended loads. If work under suspended loads cannot be avoided, come up with suitable safety measures and apply them. Avoid standing between a fixed object and an object that is drawing near.

Secure interim assembly states by means of temporary supports in order to prevent any items from toppling over.

The contractor must make a level assembly area with sufficient load-bearing capacity available.

Unexpected hazards can always arise when assembly work is carried out. Assess the degree of risk in each individual case and, if necessary, take measures to prevent or minimise the risk.

If anti-fall protection cannot be used or has to be removed due to operational reasons, safety equipment must be installed in its place in order to prevent falls from any height.

If the use of anti-fall equipment is deemed to be inappropriate, personal protection equipment (PPE) can be used if suitable fixing points are available.

Site personnel are forbidden to remain in areas below where assembly work is being carried out, unless the danger zone has been provided with sufficient protection against falling, overturned, sliding or rolling objects and masses. Cordon off and clearly mark any danger zones and check that these are in place and complete every time work is commenced.

Do not walk on components and assembly units. Find a secure standing position next to the components or assembly units. Use assembly scaffolds.

Always keep components and assembly units free of dirt, ice and snow.

Means of access

Safe access to all working areas must be guaranteed at all times.

Hatches and openings to accessible working areas must be kept closed during working operations.

Use walkways, stairs, stair towers or site lifts. Ladders are suitable for use as passageways in exceptional cases only.

Ladders must not be connected to each other for more than two levels and should be offset against one another.

Ladders must be secured on the outer side by means of appropriate anti-fall equipment such as ladder cages or safety nets.

Building edges at hatches and openings in accessible areas must be secured.

In case of danger, it must be ensured that working areas can be vacated via emergency escape routes or rescue equipment.

It must also be ensured that at least one emergency escape route or piece of rescue equipment can still be used if the power supply fails.

Determine and apply all appropriate measures.

Throughout the entire relocation procedure, ensure that site personnel can still use the emergency escape route.

In case the access hatches are blocked when retracting the formwork, ensure that site personnel can still use the emergency escape route.

Protection against falling components

Work activities may not be carried out simultaneously on areas positioned on top of each other if the lower working areas are not protected against falling objects.

Avoid installing working areas and access routes in danger zones. If this is not possible due to work procedures, suitable protective measures must be available to provide protection against falling objects. This also applies to work that only takes a short period of time.

Safety nets (mesh size ≤ 2 cm) and platform planking are considered to be suitable means and are to be installed very close to the structure (distance ≤ 5 cm).

Secure all pins with cotter pins and all bolts with nuts.

Secure tools and material to prevent them from falling down. Remove concrete residue and other dirt as soon as possible, at the latest before the next climbing cycle. The platforms are to be kept clean at all times.

Operational working areas at great heights are to be secured by means of appropriate structural measures to prevent objects from falling down.

Components that are likely to become unstable Components

Secure components that are likely to become unstable with suitable means, e.g. using push-pull props, or leave them attached to the crane until the tipping hazard has been eliminated.

Loitering in the tipping range is prohibited. Draw attention to and clearly mark any danger zones.

If necessary, cordon off the danger zones with suitable means. Check that safety signs and barriers are in place before commencing work.

Component overview and tool list

| Pos. no. | Component name | Article no. |
|-------------|---|-------------|
| 1 | Folding Platform FB 180 - 3/300 | 026648 |
| 1.1 | Folding Bracket FB 180 - 3 | |
| 1.2 | Lifting eye | |
| 1.3 | Bolt Ø 25 | |
| 1.4 | Crane eye | |
| 1.5 | Mounting Head FB | |
| 1.6 | Loop Mounting Head-2 FB | |
| 1.7 | Deck | |
| 1.8 | Safety pawl | |
| 1.9 | Main platform handrail frame | |
| 1.10 | Horizontal member | |
| 1.11 | Universal Coupler DW 15 | |
| 1.12 | Strut with bolt | |
| 1.13 | Bolt | |
| 1.14 | Vertical member | |
| 1.15 | Horizontal member | |
| 2 | Folding Corner Platform FEB 180 - 3/300 | 026649 |
| 2.1 | Folding Bracket FB 180 - 3 | |
| 2.2 | Lifting eye | |
| 2.3 | Bolt Ø 25 | |
| 2.4 | Crane eye | |
| 2.5 | Mounting Head FB | |
| 2.6 | Loop Mounting Head-2 FB | |
| 2.7 | Deck | |
| 2.8 | Safety pawl | |
| 2.9 | Main platform handrail frame | |
| 2.10 | Universal Coupler DW 15 | |
| 2.11 | Strut with bolt | |
| 2.12 | Corner Platform Frame FEB | |
| 2.13 | Support | |
| 3 | Intermediate Platform FBZ 240 | 026622 |
| 3.1 | Intermediate platform handrail frame | |
| 3.2 | Crane eyes on guardrail | |
| 3.3 | Crane eye on deck | |
| 3.4 | Locking screw AF 19 | |
| 4 | Finishing Platform FBN-2/300 | 026625 |
| 4.1 | Finishing platform handrail frame | |
| 4.2 | Safety hook | |
| 4.3 | Safety pin | |

| Pos. no. | Component name | Article no. |
|------------|------------------------------------|-------------|
| 5 | Folding Bracket FB 180 - 3 assy. | 026652 |
| 6 | Finishing Platform Bracket FBN-2 | 026631 |
| 7 | Support Extension 200 FB-2 | 026623 |
| 8 | Support Extension 300 FB-2 | 026624 |
| 9 | Compression Strut FB-2 | 026627 |
| 10 | Corner Platform Frame FBE | 026626 |
| 11 | End Post FBP | 026628 |
| 12 | End guardrail 55 | 065066 |
| 13 | Guardrail extension | 026635 |
| 14 | Scaffold tube connector | 026644 |
| 15 | Screw Plate DW 15/115 | 026647 |
| 16 | Tension Belt, L = 5.70 m, 2.5 t | 051250 |
| 17 | Tension Belt Connector Wall M24 | 051270 |
| 18 | Bolt Ø 16 x 150 | 715357 |
| 19 | Cotter pin 4/1 | 018060 |
| 20 | Push-Pull Prop Bolt FB | 113810 |
| 21 | Mounting Head FB | 026632 |
| 22 | Suspension shoe FB | 026990 |
| 23 | Bolt ISO 4014 M24 x 70-10.9 | 026430 |
| 24 | Tie Sleeve M24 | 026230 |
| 25 | Spacer PP Ø 31/26, c = 25 | 026240 |
| 26 | Plug PP Ø 26 mm | 026250 |
| 27 | Tube FRC Ø 32/52, c = 40 | 116233 |
| 28 | Anchor Positioning Stud M24 | 026420 |
| 29 | Plug FRC Ø 32 mm | 116234 |
| 30 | Anchor Positioning Stud M24 x 65 | 115150 |
| 33 | Screw-On Cone-2 M24/DW 20 | 114158 |
| 34 | Threaded Anchor Plate DW 20 | 030860 |
| 35 | Positioning Screw M24 | 029270 |
| 36 | Anchor Positioning Plate M24 | 029280 |
| 37 | Hex. Wood screw DIN 571 6 x 20 | 029440 |
| 38 | Hex. Pin Wrench SW 14, long | 027212 |
| 39 | Wire nail 3 x 80 | 710312 |
| 40 | Loop Mounting Head-2 FB | 026645 |
| 41 | Anchor loop | 026636 |
| 42 | Socket wrench AF 36, chrome-plated | 031480 |
| 43 | Steel scaffold tube Ø 48.3 x 3.2 | 026415 |
| 44 | Safety net | |
| 45a | Base Plate-2 for RS 210 – 1400 | 117343 |
| 45b | Base Plate-2 for RSS | 106000 |
| 46 | Square timber | |
| 47 | Tie Rod DW 15, special length | 030030 |
| 48 | Wingnut Pivot Plate DW 15 | 030370 |

| Pos. no. | Component name | Article no. | Tool name |
|----------|-----------------------------------|-------------|--|
| 49 | Ledger 85 | 023551 | Ratchet Wrench |
| 50 | Connector Plate AV/Push-Pull Prop | 028080 | Extension for the ratchet wrench |
| 51 | Tie Rod B 15 | 030740 | Extension for the ratchet wrench |
| 52 | Hex. Nut DW 15 AF 30/50 | 030070 | Allen Key SW 6/SW 8/SW 10 |
| | | | Spirit level |
| | | | Cordless screwdriver |
| | | | Screw bits TORX 25, 30 |
| | | | Ring/open-end wrench AF 13/AF 16/AF 18/AF 24/AF 30/AF 36 |
| | | | 3-sling lifting gear / 4-sling lifting gear |
| | | | Circular saw |
| | | | Torque wrench |
| | | | Hammer |
| | | | Round slings |

Tightening torques

For non-defined lubricated screw connections, PERI recommends the following guide values as "hand-tightened" tightening torque $M_{A,hand-tightened}$. These guide values are based on EN 15048 with Safety Factor 3 against breakage of a bolt with Strength Class 4.6.

| | |
|-----------|--------|
| Screw M8 | 8 Nm |
| Screw M10 | 16 Nm |
| Screw M12 | 30 Nm |
| Screw M16 | 65 Nm |
| Screw M20 | 100 Nm |
| Screw M24 | 150 Nm |
| Screw M30 | 260 Nm |
| Screw M36 | 350 Nm |

Tightening torques have been determined for the following components:

| | |
|---------------------------------------|--------|
| Bolt of spacer M20 | 100 Nm |
| Bolt of spacer M24 | 150 Nm |
| Scaffold tube coupling | 50 Nm |
| Clamping plate for the slab tie gauge | 120 Nm |

Storage

The platforms can be stored in stacks of up to 20. In order to prevent any damage, they must be offset longitudinally when stacked. See sticker "Fig. A1.03".

Folding Corner Platforms FEB can be stacked together with Folding Platforms FB. The stacking dimension remains unaffected. (Fig. A1.01)

Stacking height of folding platform

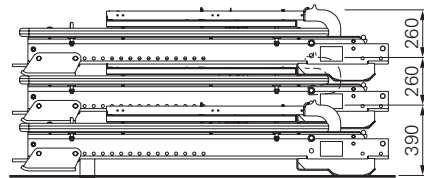


Fig. A1.01

FB 180-3/300

Art.-Nr.: 026648

FEB 180-3/300

Art.-Nr.: 026649

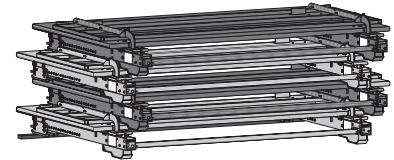


Fig. A1.03

Stacking height of intermediate platform

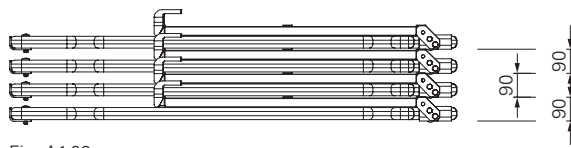


Fig. A1.02

Transportation

Transportation by crane

Attach stack of up to 10 FB or FEB platforms to lifting eyes (1.2) and bolts \varnothing 25 (1.3) and move. Move stacks with intermediate platforms with round lifting slings.

(Fig. A1.04)

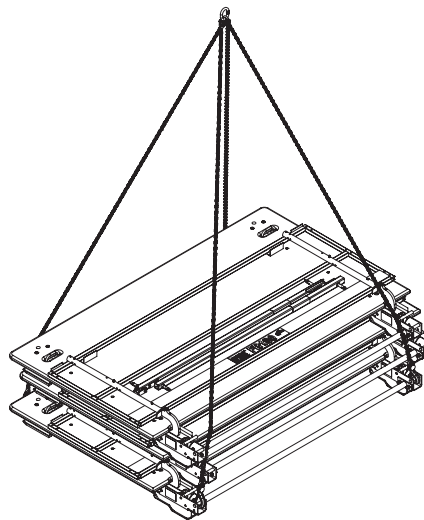
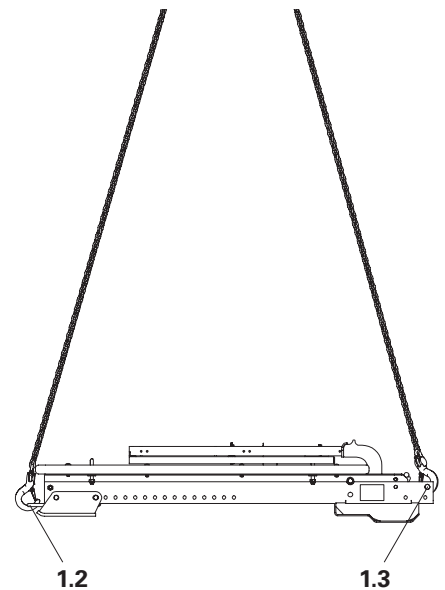


Fig. A1.04



Transporting by forklift

The stacks can be moved with suitable floor conveying equipment. They are lifted from the long side.

(Fig. A1.05)

When loading onto trucks, ensure that the lashing is used uniformly for the whole load.

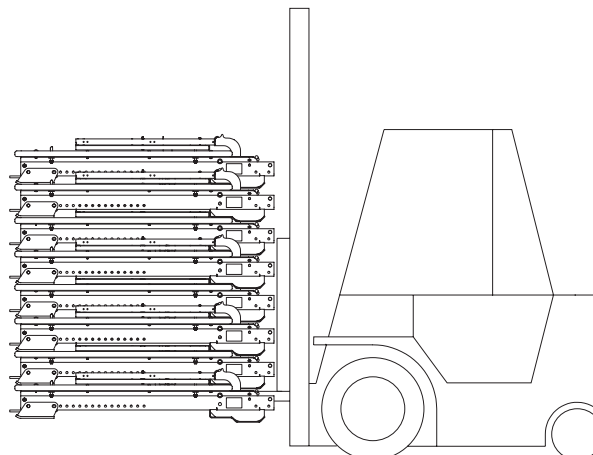


Fig. A1.05

Use as main platform

Assembly

1. Raise guardrail (1.9).
→ The safety pawls (1.8) engage.
2. Attach the 4-sling lifting gear to the crane eyes (1.4). (Fig. A2.01)
3. Lift up safety pawls (1.8) and raise platform a few centimetres. (Fig. A2.01a)
4. Fold down safety pawls (1.8) and completely unfold platform through further lifting. (Fig. A2.02 + A2.02a)
5. Connect the struts (1.12) to the horizontal member firstly with the captive pins (1.13) and then to the vertical member (1.14).
– Take into account sticker with directional arrow on the struts. (Fig. A2.03 + A2.03a + A2.03b)

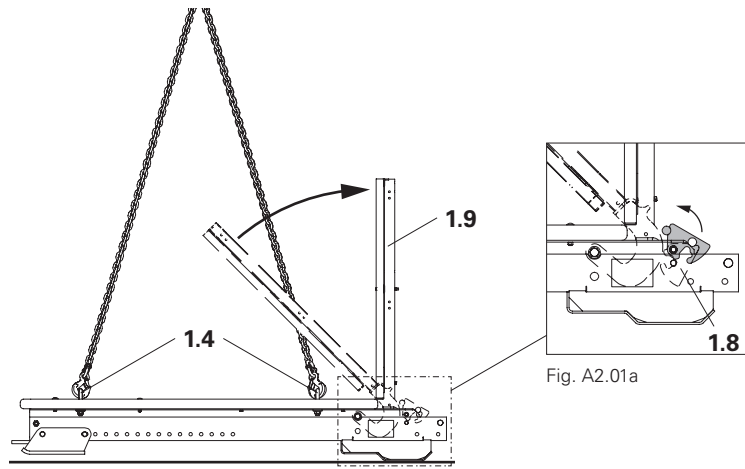


Fig. A2.01

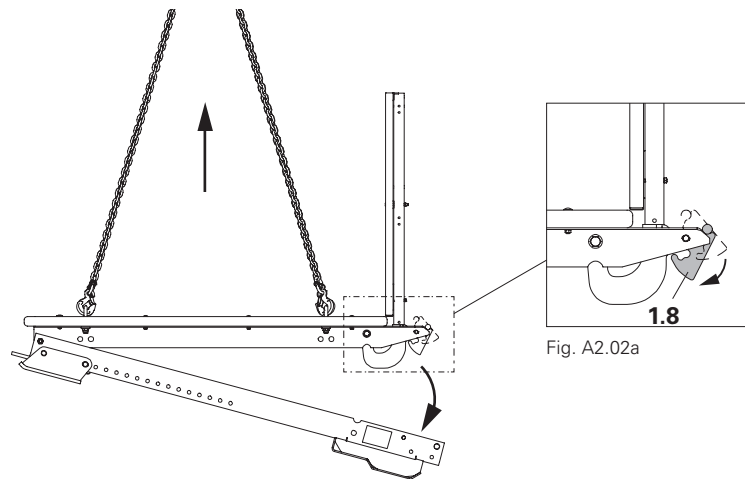


Fig. A2.02



When first delivered, it may be necessary to connect the standard mounting heads (1.6) or loop mounting heads (1.7) to the console brackets with the bolts Ø 16 x 150 and cotter pins 4/1 provided.



Are the safety pawls (1.8) engaged?



If the platform is secured with a tension belt, attach it during assembly when the platform is suspended out of reach of the ground, see Section "Tension belt connection" on page 41.

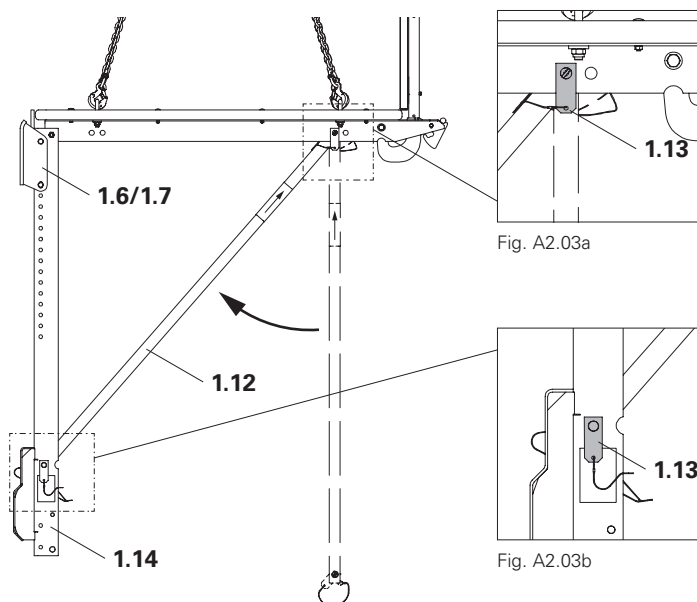


Fig. A2.03

Fig. A2.03a

Fig. A2.03b



Warning

- Loose material may fall down!
Falling material can cause serious injuries or even death.
⇒ Remove loose scaffold components, intermediate platforms or construction material.
- Leading edges may arise during the moving procedure!
A fall from the platform can result in serious injuries or even death.
⇒ When working at leading edges, take safety measures or use PPE.



- Use a guide rope to ensure that platforms suspended from the crane are fully under control when being moved.
- In the event of storm warnings above 90 km/h or 10 Beaufort, secure the folding platforms to prevent them from lifting, e.g. with tension belts as tension anchors.

Moving

1. Attach the 4-sling lifting gear to the load-bearing points (1.4).
2. Lift platform and transport it.
(Fig. A2.04)

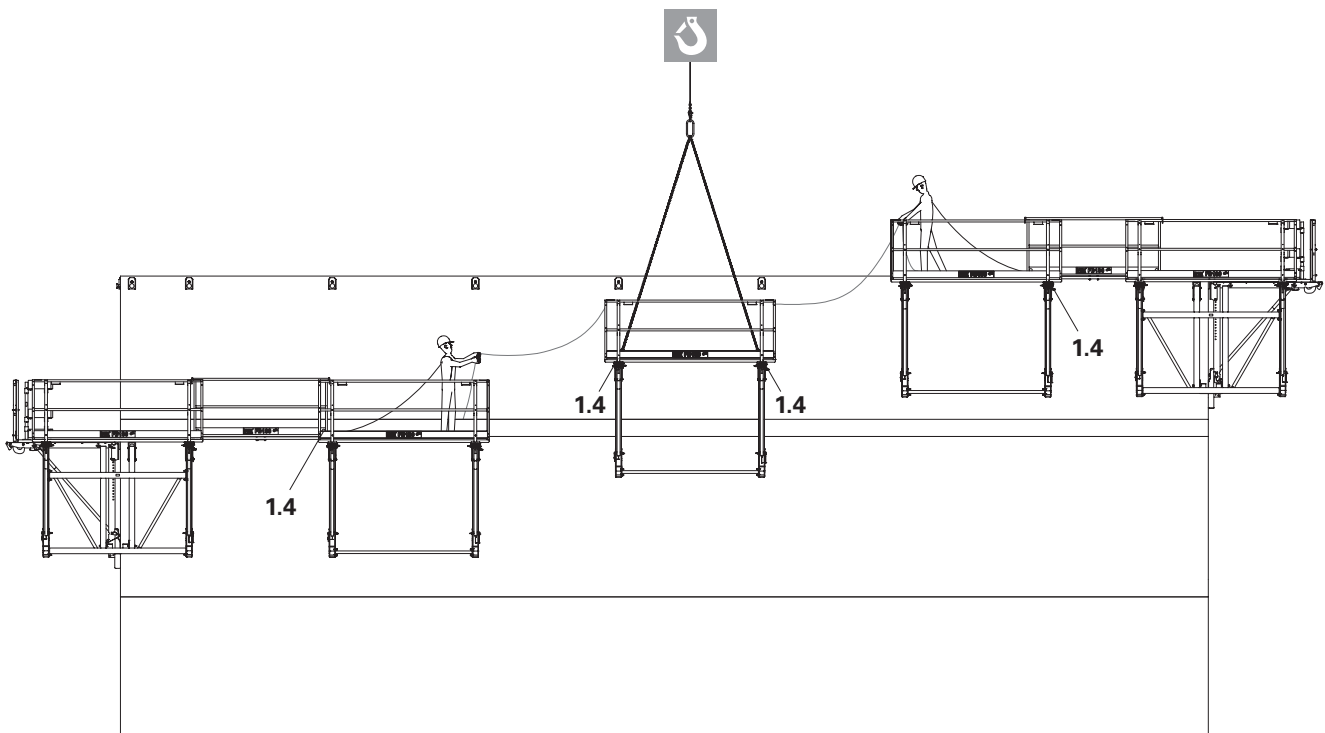


Fig. A2.04

Disassembly

1. Lower platform suspended on the crane eyes (**1.4**) until it rests on level ground and release bolts (**1.13a**) on vertical member (**1.14**).
→ Strut will swing down into vertical position. (Fig. A2.05)
2. Pull out bolts (**1.13b**) from the horizontal member (**1.15**) and remove strut (**1.12**). Lower platform down to the ground.
→ The safety pawl (**1.8**) engages automatically. (Fig. A2.06)
3. Disconnect crane lifting gear, swivel up safety pawl (**1.8**) and fold down guardrail (**1.9**).
→ The safety pawls (**1.8**) will fall back and lock the platform in its folded position. (Fig. A2.06a)



Are the safety pawls (**1.8**) engaged?

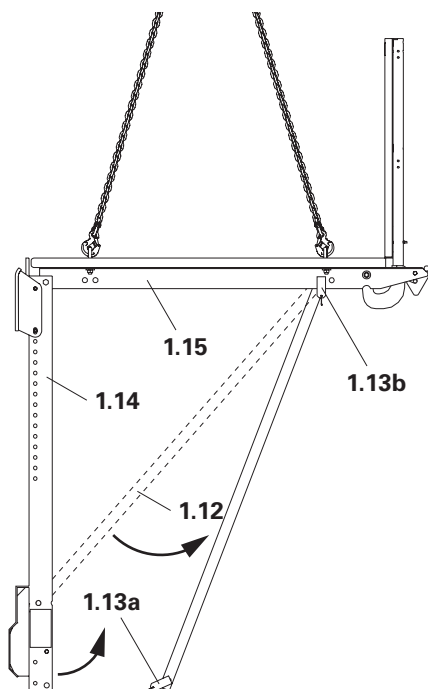


Fig. A2.05

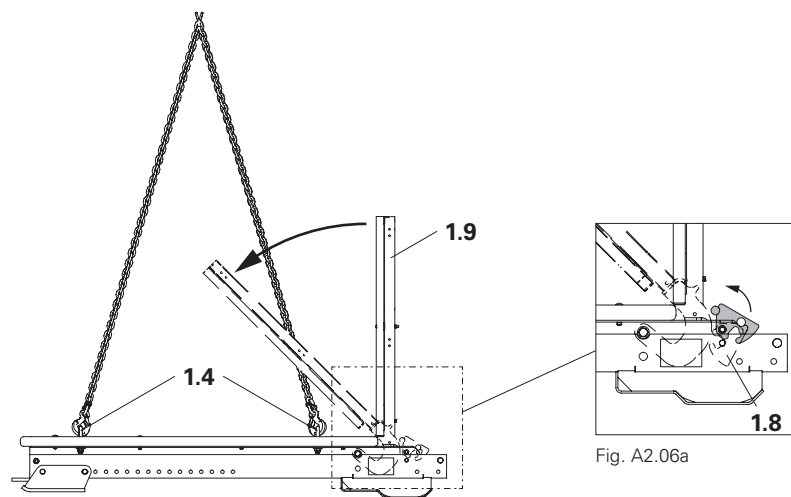


Fig. A2.06

Fig. A2.06a

Use as intermediate platform



- Use intermediate platforms only where main platforms can be safely accessed during erection and dismantling, e.g. through wall openings or by means of a simple ladder put up on a safe erection surface.
- Observe valid safety regulations.

Assembly

1. Unload the intermediate platforms and set them down on level ground.
 2. Fold out intermediate platform handrail frame (3.1) as far as possible to the stop position.
 3. Attach the 3-sling lifting gear to the load-bearing points (3.2 + 3.3). (Fig. A3.01)
1. Set down intermediate platform centred on 2 main platforms while also attaching the intermediate platform handrail frame (3.1) to the main platform handrail frame (1.9). (Fig. A3.02)

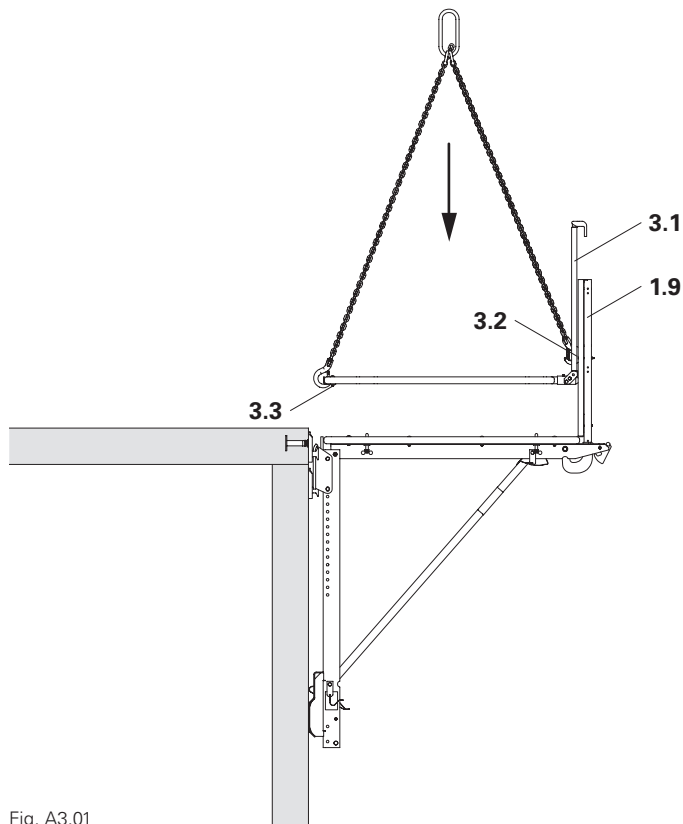


Fig. A3.01



In the event of storm warnings above 90 km/h or 10 Beaufort, secure intermediate platforms to prevent them from lifting, e.g. with 3x Torx 6 x 80 per support point and with wire rods at the guardrail.



Is the intermediate platform guardrail hooked onto the main platform guardrail on both sides?

Disassembly

1. Attach the intermediate platform to the crane lifting gear.
2. Move out the intermediate platform and place it on the ground.

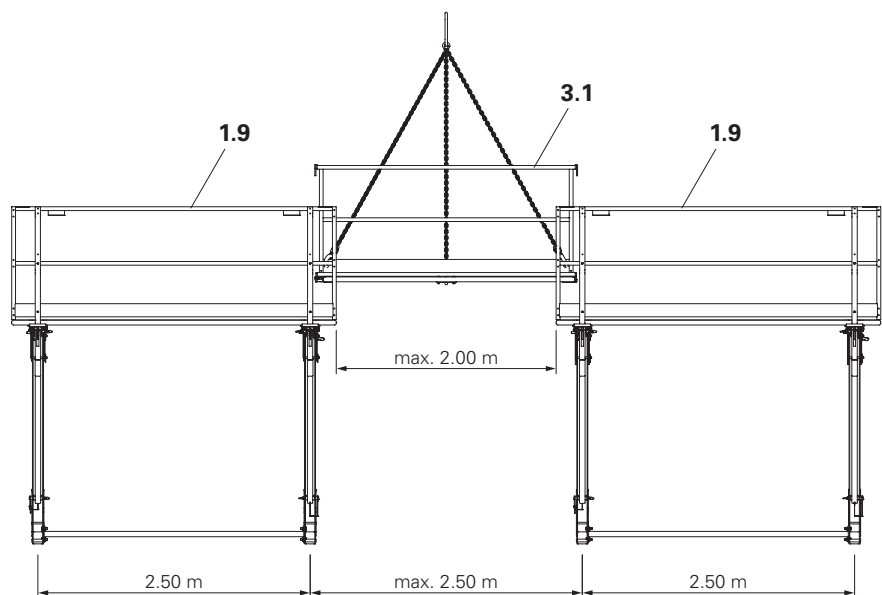


Fig. A3.02

Use as end platform

Assembly

1. Open the intermediate platform handrail frame (3.1) and attach the intermediate platform (3) to the 3-sling lifting gear.
2. Place Folding Platform Bracket FB 180-3 (5) on a level surface with guardrail post folded out, and position the intermediate platform (3) on it with the crane.
3. Bolt the intermediate platform (3) into the multi-purpose connectors (1.11) of the folding platform bracket with 2 Screw Plates DW 15/115 (15). (Fig. A3.03)
 - If an end guardrail is required, 2 End Posts FBP (11) are to be used instead of the screw plates. (Fig. A3.04)

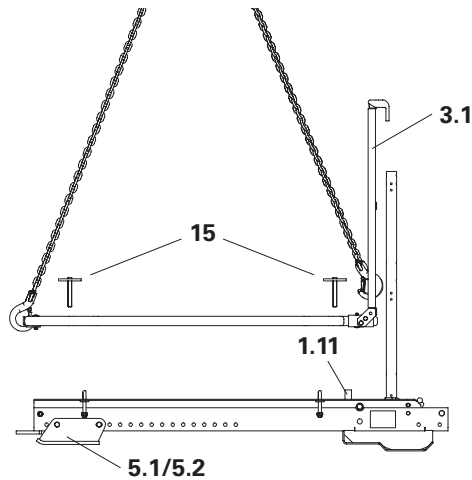


Fig. A3.03



To ensure the platform deck is horizontal, the standard mounting head or loop mounting head (5.1/5.2) on the end platform bracket must be positioned 5 cm lower than the console brackets of the main platforms.

Assembling the guardrails

- 2x handrail planks and 1x toe board 3 x 15 cm, L = 1.60 m. position lock with Torx 6 x 40. (Fig. A3.04)

Alternatively:

- 2x scaffold tube Ø 48.3 mm with 4x standard coupler RA 48/48 and 1x toe board 3 x 15 cm, or
- 2x end guardrail 55 and 1x toe board 3 x 15 cm (fixing: on site)

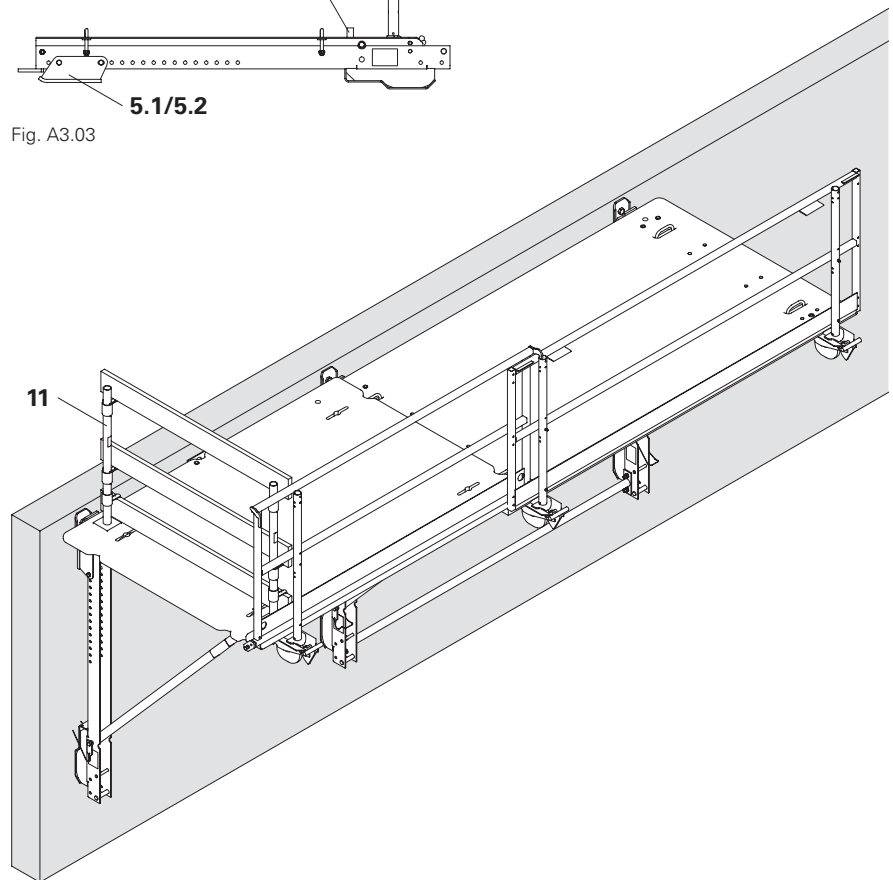


Fig. A3.04

Disassembly

1. Remove the screw plates or the End Post FBP.
2. Lift deck out.

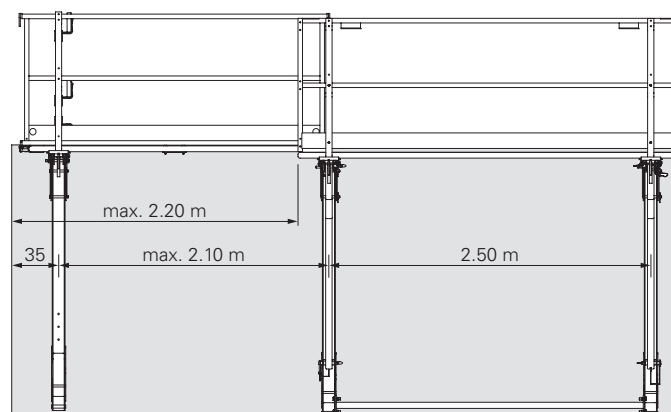


Fig. A3.04a

Use as internal corner platform

Assembly

Assembly of the Intermediate Platform FBZ is carried out in the same way as it is when it is used as an end platform, namely with a firmly bolted Folding Bracket FB 180 - 3 (5) without end guardrail.

1. Position the Platform FBZ 240 and attach it with the console bracket.
2. Place the stage on the adjacent main platform (A).
3. Attach the main platform (B).
4. Remove the guardrail (3.1) of the Internal Corner Platform FBZ and attach it to a main platform guardrail for storage.
5. Gaps in the deck as well as the toe board between the internal corner platform and next main platform are to be closed with materials provided by the contractor. (Fig. A3.05)

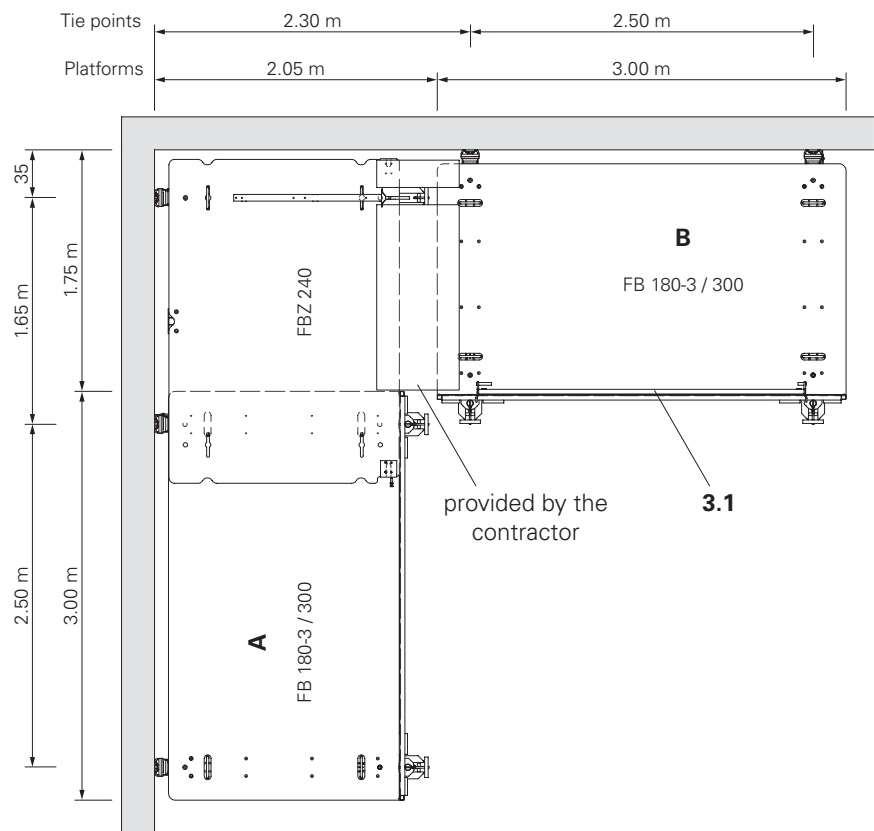


Fig. A3.05

Removal of guardrail

1. Place the guardrail in a 45° position, loosen locking bolt (3.4) (SW 19), and push guardrail to the right as seen from the outside. (Fig. A3.06)
2. Raise the right-hand side of the guardrail, push it to the left and then remove. (Fig. A3.06a)

Installation

Installation is carried out by reversing the removal procedure.

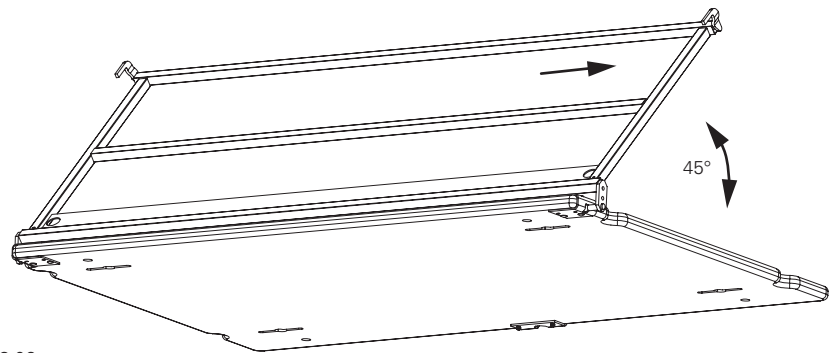


Fig. A3.06

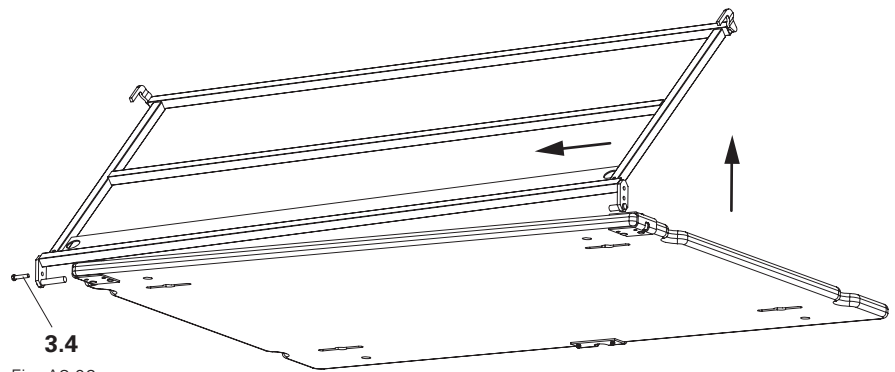


Fig. A3.06a

Use as external corner platform

The Folding Platform FB 180 - 3/300 can be subsequently converted into a Folding Corner Platform FEB 180 - 3/300.



Swing out the support (2.13) completely.

Converting FB to FEB

1. Dismantle horizontal strut (1.10). ("Overview" on page 3)
2. Corner Platform Frame FEB (10) is connected using the M16 x 45 bolts provided on the frame. (Fig. A4.01)
3. Fix mounting head (21) to the Corner Platform Frame FEB (10) according to the application. (Fig. A4.01)

Assembly

The folding procedure for the folding corner platform is carried out in the same as with the main platform ("A2 Folding Platform FB 180 - 3/300" on page 18).



With the Support (2.13a) in a retracted position and using the external mounting points (21), the folding corner platform can be employed on straight sections of wall without modification. (Fig. A4.02)

When using the Folding Corner Platform FEB, the height adjustment is limited to 5, 10, 15, 65 and 70 cm. (Fig. A4.03)

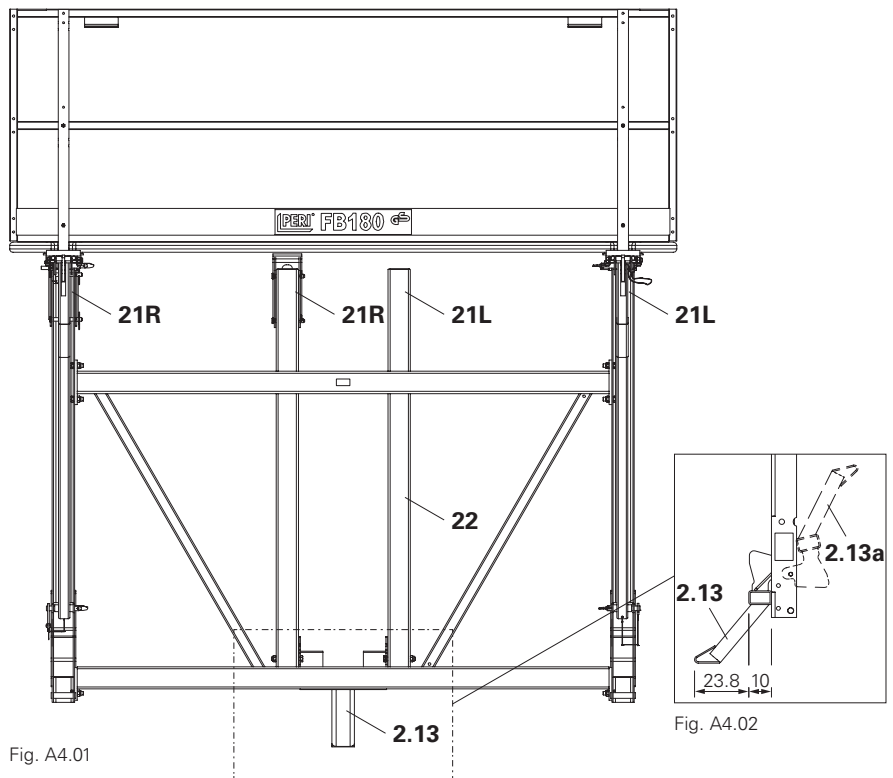


Fig. A4.01

Fig. A4.02

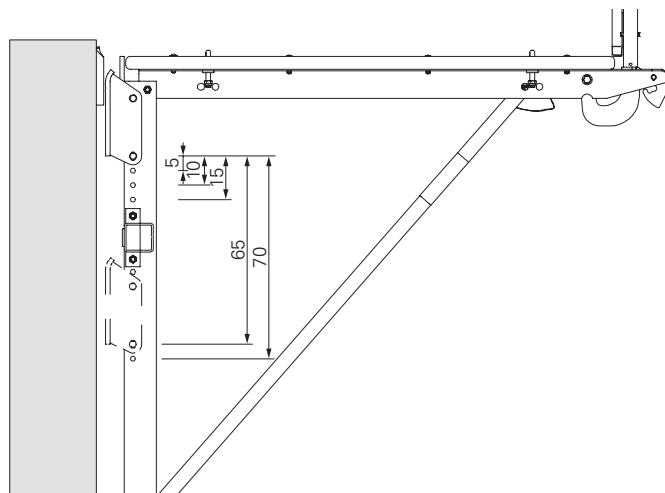


Fig. A4.03

External corner, left

- Platform cantilevered to the left.
- Mounting heads (21) in position (21L). (Fig. A4.04)

External corner, right

- Platform cantilevered to the right.
- Mounting heads (21) in position (21R). (Fig. A4.04a)

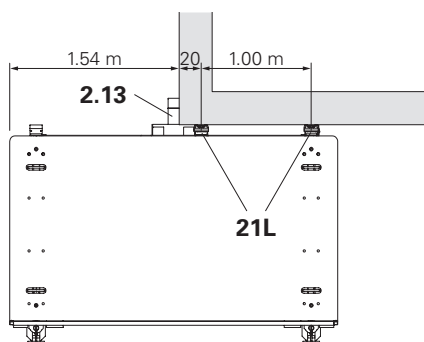


Fig. A4.04

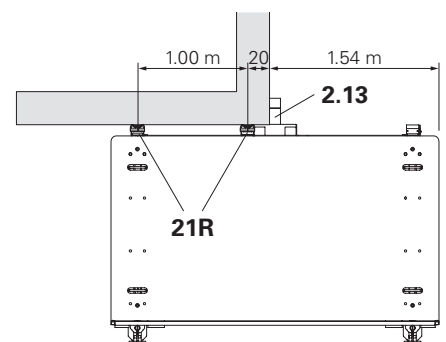


Fig. A4.04a



- Do not impose any additional loads on the cantilevered part of the folding corner platform through intermediate platforms, wide-span board overlapping or reinforcement.
- In the event of a storm warning, secure loose gap coverings against lifting.

Assembly

The exact 20 cm tie spacing of the corner platform ensures the functionality of the swivelling support (2:13).

The tie spacing of ≥ 22 cm of the platform positioned opposite prevents any tie plate collision.

1. On the free side of the folding corner platform and the main platform, screw 2x End Posts FBP (11) into the multi-purpose connectors (1.11/2.10).
2. Mount 3 x 15 cm handrail planks or \varnothing 48.3 mm scaffold tubes with couplings and toe boards provided by the contractor.
3. Secure boards and toe boards in position with Torx 6 x 40.
4. The gap in the deck between the folding corner platform and the main platform around the corner is closed with site material. (Fig. A4.05 + A4.06)

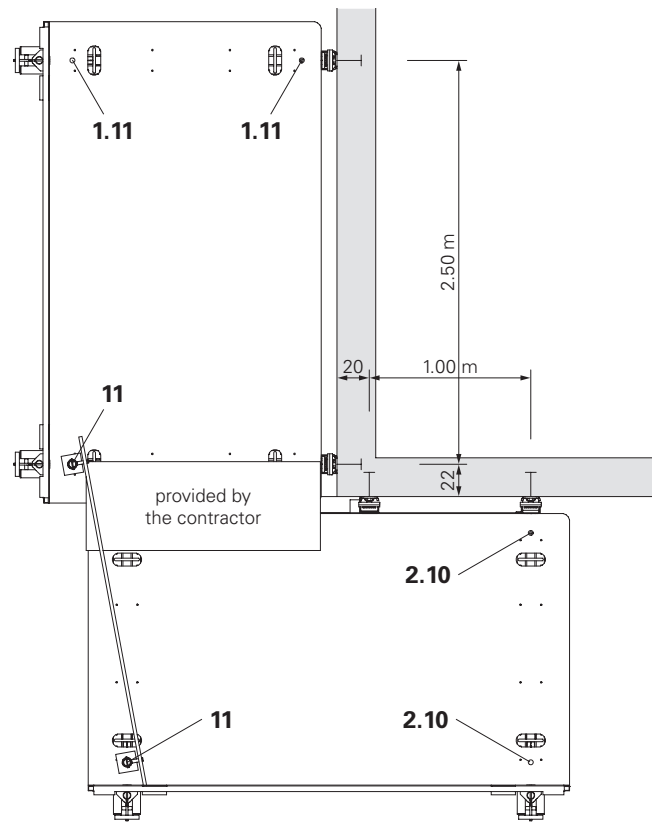


Fig. A4.05

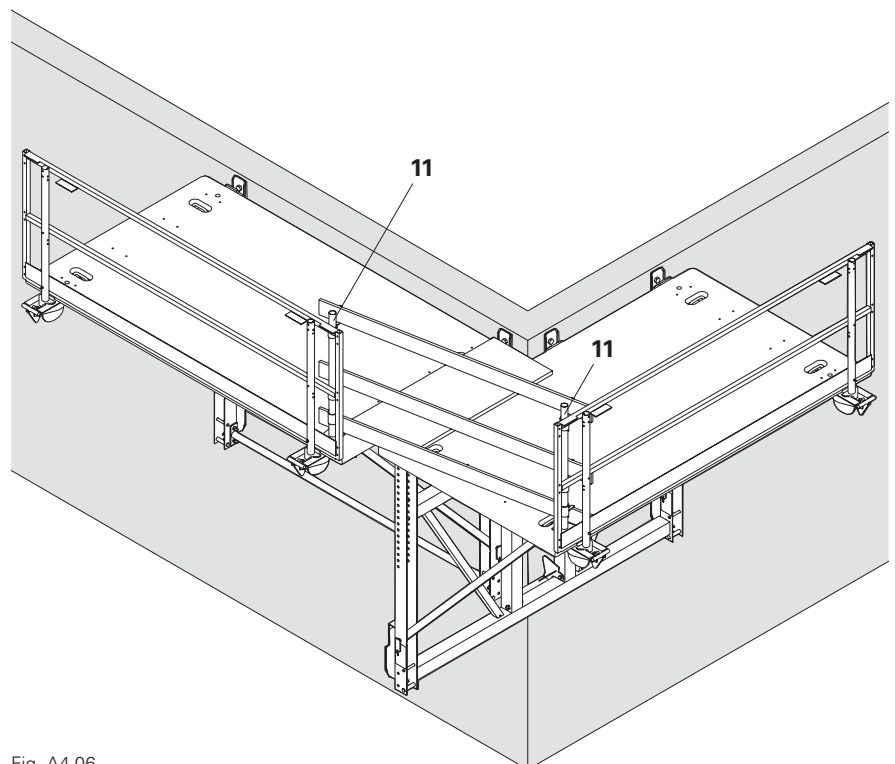


Fig. A4.06

Support extension 200

Assembly

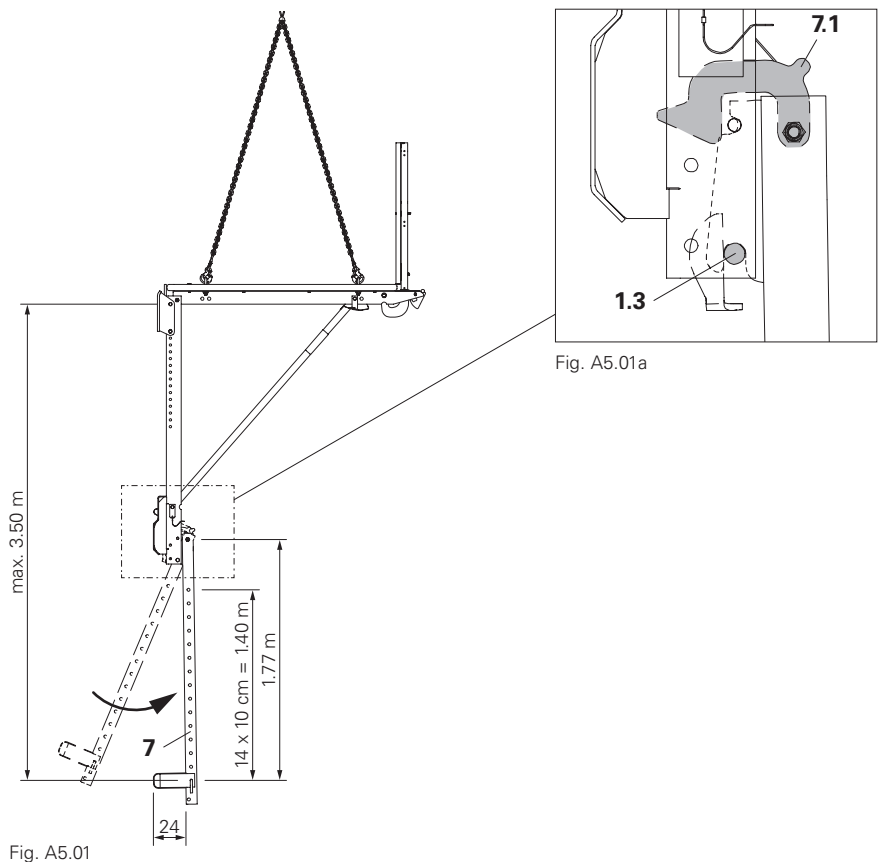
1. Hook support extension 200 (7) into the lower bolt $\varnothing 25$ (1.3) from the rear.
2. Swivel support extension 200 (7) backwards into the vertical position.
(Fig. A5.01)
→ The securing hook (7.1) drops down and is secured automatically.
(Fig. A5.01a)



Has the safety hook (7.1) engaged?

Disassembly

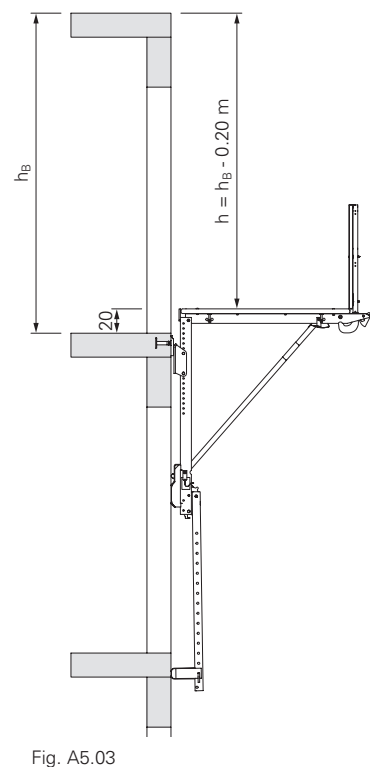
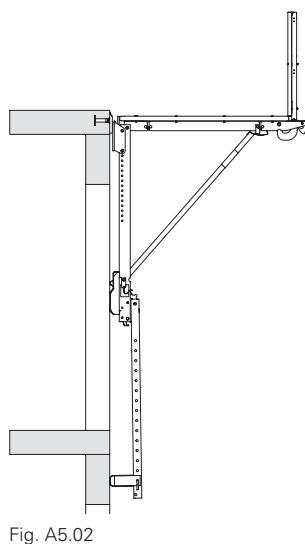
1. Open safety hook (7.1).
2. Swing support extension 200 (7) forwards and unhook it.



Examples

Working scaffold
Bridging a wall opening.
(Fig. A5.02)

Safety scaffold
Reduction of the fall height h by approx. 20 cm.
(Fig. A5.03)



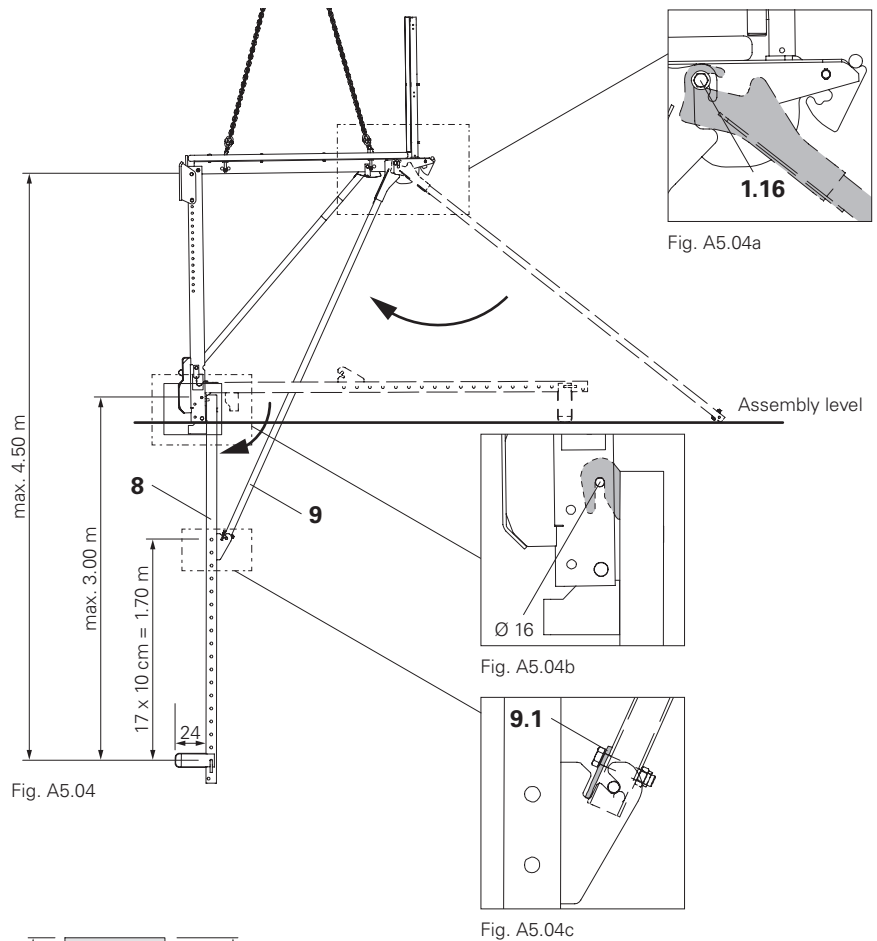
Support extension 300



Use support extension 300 only with Compression Strut FB-2 (9).

Assembly

1. Hook support extension 300 (8) into the lower bolt $\text{\O} 16$ from the rear. (Fig. A5.04)
2. Hook the Compression Strut FB-2 (9) into the upper projecting screw (1.16) from behind. (Fig. A5.04a)
3. Lift the platform with the crane to allow the support extension 300 (8) and the Compression Strut FB-2 (9) to swing down into the vertical position where they cannot be taken off the pins. (Fig. A5.04)
4. Turn the lock washer (9.1) of the Compression Strut FB-2 upwards.
5. Hook the compression strut onto the support extension 300 and turn the lock washer (9.1) downwards. (Fig. A5.04c)



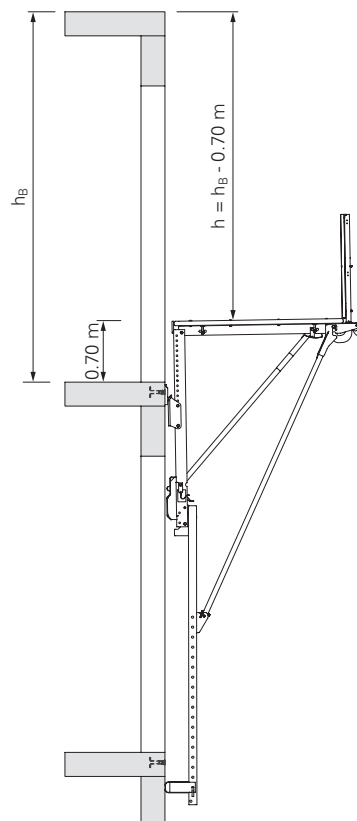
Is the lock washer (9.1) turned downwards?

Disassembly

1. Remove the Compression Strut FB-2.
2. Remove support extension 300.

Example

Safety scaffold
 Bridging a wall opening and reduction of the support height h by approx. 70 cm.
 (Fig. A5.05)



The finishing platform (4) can be hooked onto the support extensions 200 and 300 (7/8).

Assembly

1. Lower the finishing platform onto two trestles.
2. Raise guardrail (4.1).
→ The safety hook (4.2) drops into the vertical position and is secured. (Fig. A6.01 + Fig. A6.01a)



Is the safety hook (4.2) in the vertical position?

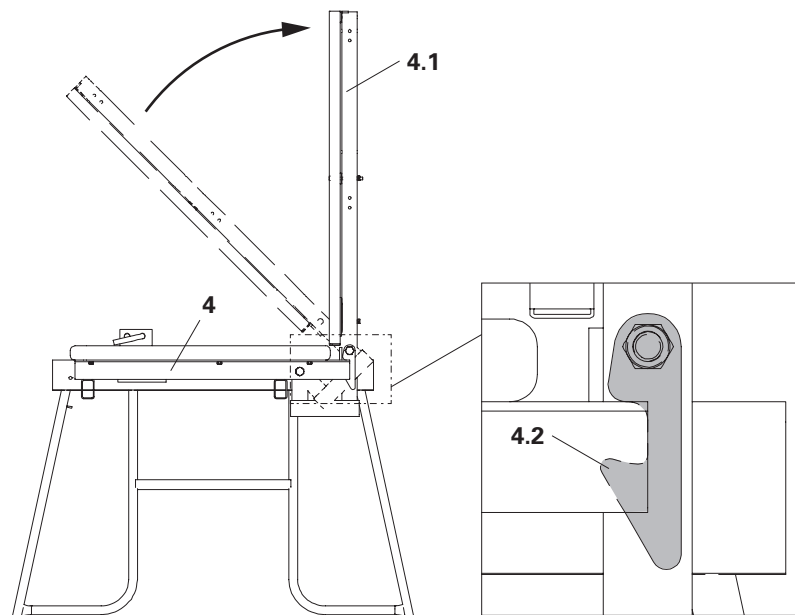


Fig. A6.01

Fig. A6.01a

Assembly on the main platform

1. Release safety pins (4.3) and insert main platform, with support extensions fitted, into the openings in the decking with the crane. (Fig. A6.02)
2. Set the Finishing Platform FBN-2 at the desired height with the securing bolt (4.3). (Fig. A6.02a)



Close the intermediate area of the finishing platform with materials supplied by the contractor. Use in connection with intermediate platforms only partly possible.

Disassembly

1. Remove locking pin (4.3).
2. Lift platform out.
3. Fold up the safety hook (4.2) and fold down the guardrail.

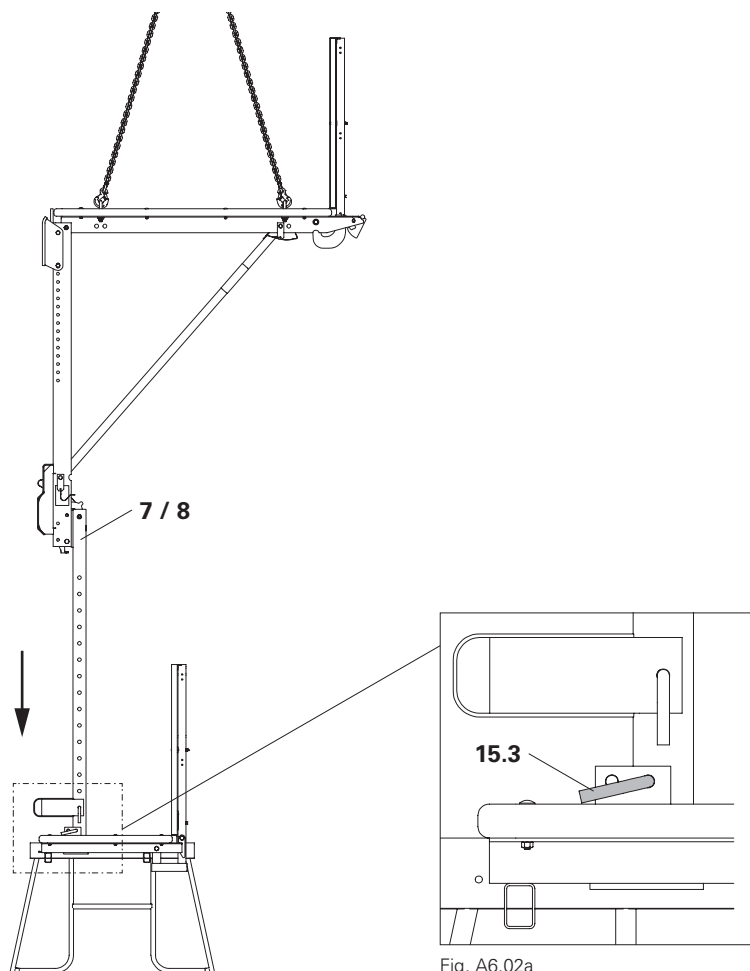


Fig. A6.02

Fig. A6.02a



All safety nets used must be approved for use in their function, e.g. net type A2 according to DIN EN 1263-1, Energy absorption ≥ 4.2 kJ.

Assembly

1. Insert the guardrail extension (13) into the guardrail post of the main platform up to the stop.
2. Attach Scaffold Tube $\varnothing 48.3$ mm (43) to the safety net (44) and bolt to the scaffold tube coupling (13.1) of the guardrail extension.



A $\varnothing 48.3$ mm scaffold tube (43a) threaded into the safety net at the bottom end is positioned on the platform for stabilisation. (Fig. A7.01)

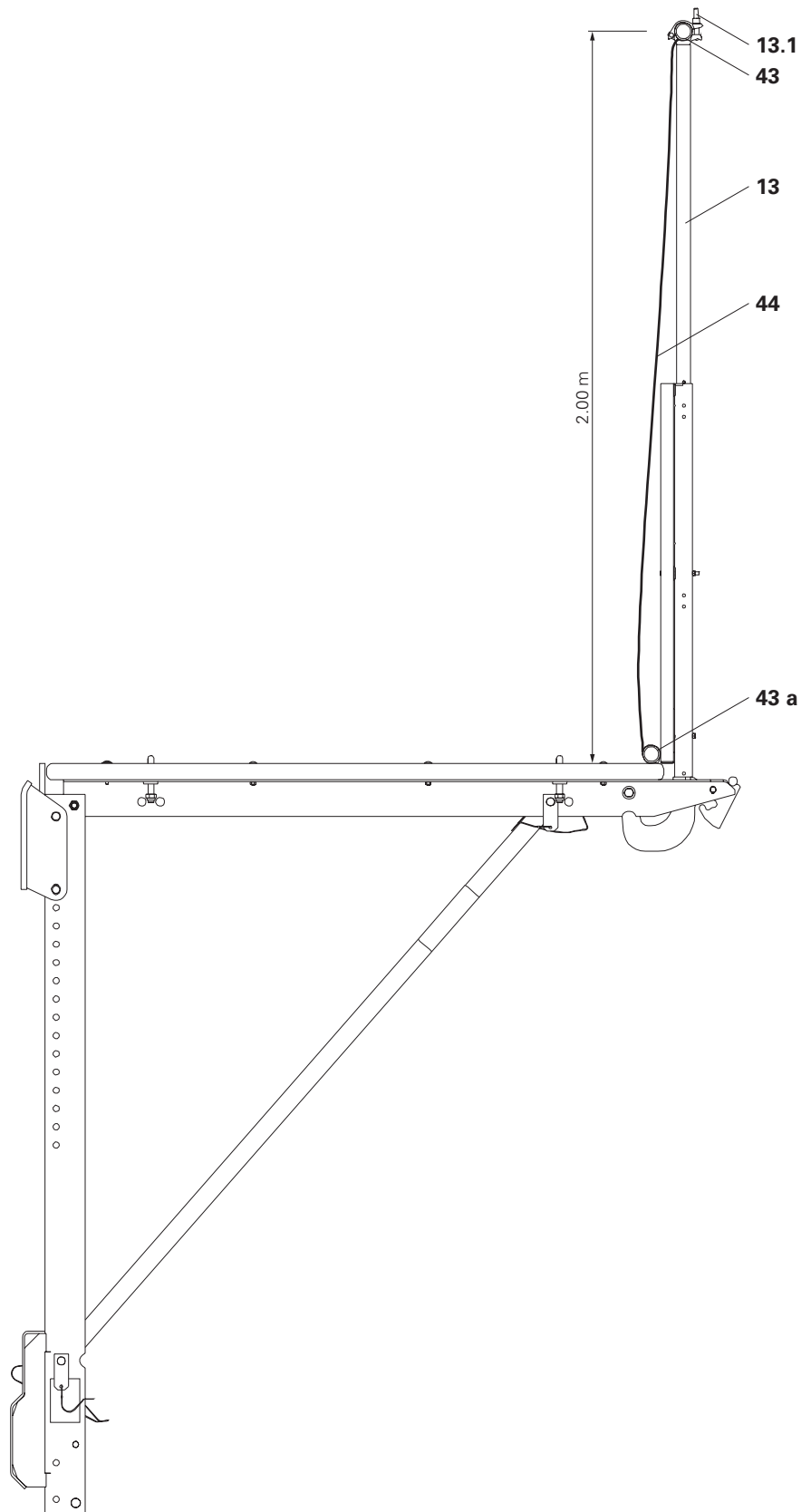
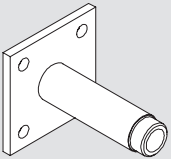
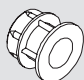
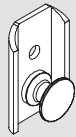
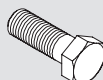
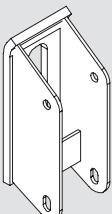


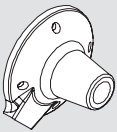
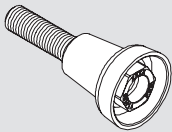
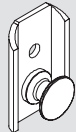
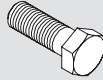
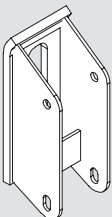

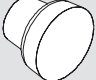


Fig. A7.01

With Mounting Head FB

Table 1
Anchoring with Mounting Head FB

| | Tie parts | | Suspension components | | | Advance mounting | Closure |
|----------------------|--|--|---|---|--|--|--|
| Tie sleeve | Tie Sleeve M24* Article no. 026230  | Spacer PP for Tie Sleeve M24* Article no. 026240  | Suspension Shoe FB Article no. 026990  | Hexagon Bolt M24 x 70-10.9 Article no. 026430  | Mounting Head FB Article no. 026632  | Anchor Positioning Stud M24 Article no. 026420  | Plug for Tie Sleeve M24* Article no. 026250  |
| Screw-on cone | Threaded anchor plate 20* Article no. 030860  | Screw-On Cone-2 M24/DW 20 Article no. 114158  | Suspension Shoe FB Article no. 026990  | Hexagon Bolt M24 x 70-10.9 Article no. 026430  | Mounting Head FB Article no. 026632  | Anchor Positioning Stud M24 Article no. 026420  | KK Concrete Cone* M24-67/52 Article no. 031652  |

* lost components



- The contractor (user) responsible for installing the anchoring must observe the following points:
 - He is responsible for the correct assembly and intended use.
 - He shall arrange for the delivery and correct installation of any required additional reinforcement.
- The following documentation must be kept:
 - Verification of the existing concrete strength
 - Inspection of individual components
 - Verification of proper assembly
 - Verification of the anchoring depth.
- The load transfer within the structure must be verified down to the foundation soil.
- With deviating conditions, a separate statical proof in accordance with the approval is required.

Installing the Tie Sleeve M24

1. Nail the Anchor Positioning Stud M24 to the formwork.
2. Screw Tie Sleeve M24 with Spacer PP onto Anchor Positioning Stud M24.
3. Secure the Tie Sleeve M24 with Spacer PP through the drilled holes in the reinforcement using tie wire.

Removing the Tie Sleeve M24

1. After striking has been completed, unscrew the Anchor Positioning Stud M24 with 14 mm Allen Key.
2. Then fix Suspension Shoe FB to the tie sleeve using Bolt M24 x 70.
3. After application, close the remaining opening with plugs for Tie Sleeve M24.

Installing the Screw-On Cone-2 M24/DW 20

1. Nail the Anchor Positioning Stud M24 to the formwork.
2. Screw Threaded Anchor Plate 20 as far as possible onto the screw-on cone, attach to the anchor positioning stud and secure to the reinforcement with tie wire through the existing drilled holes.

Removing the Screw-On Cone-2 M24/DW 20

1. After striking has been completed, unscrew the Anchor Positioning Stud M24 with 14 mm Allen Key.
2. Then fix Suspension Shoe FB to the Tie Sleeve using Bolt M24 x 70.
3. After application, close the remaining opening with KK Concrete Cone M24-67/52.



As an alternative to the anchor positioning stud, the tie positioning plate with Positioning Screw M24 can be used on drilled formlining (Ø 25).



Valid only for climbing cones and screw-on cones.

Grease surfaces in contact with concrete and the internal thread for the tie rod sufficiently. This allows the anchoring to be used again later.



Warning

Anchoring can become detached!
A fall can result in serious injuries or even death.

- ⇒ Only those components specified by PERI are to be used for the anchoring.
- ⇒ Do not load the anchoring system until the concrete has reached a strength of 10 N/mm².
- ⇒ Concrete quality must be C20/C25 or higher.

Anchoring to the slab

(Fig. A8.02 + A8.02a)

Secure each tie point with a Tie Sleeve M24 or Screw-On Cone M24/DW 20 with 2x stirrups \varnothing 8 BSt 500S if no corresponding edge reinforcement is available.



If the concrete slab is not supported by a wall, it must be supported with sufficiently load-bearing slab props, e.g. PERI MULTIPROP.

If necessary, use a support extension on the folding platform.

(Fig. A8.03)

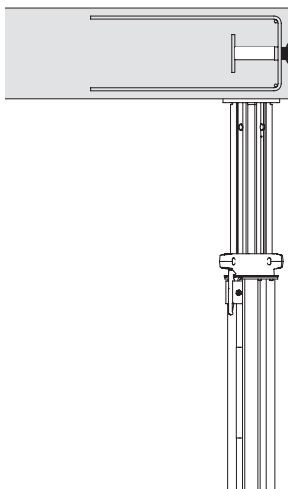


Fig. A8.03

Suspension Shoe FB

Compensate for lateral dimensional tolerances of up to ± 25 mm by turning the Suspension Shoe FB slightly.
(Fig. A8.01)

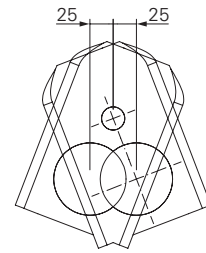


Fig. A8.01

Section

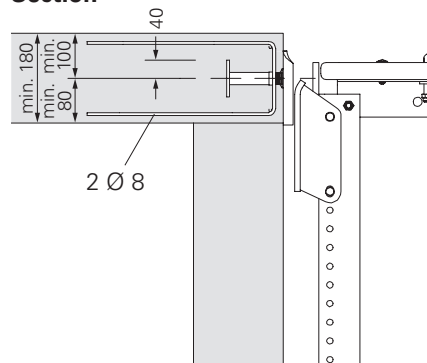


Fig. A8.02

Ground plan

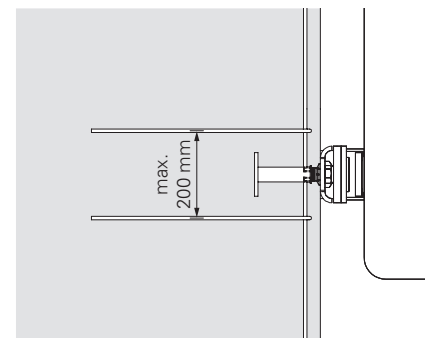


Fig. A8.02a

Installing the Suspension Shoe FB

Screw the Suspension Shoe FB onto the Tie Sleeve M24 set in concrete using the ISO 4014 M24 x 70-10.9 screw.
(Fig. A8.02b)

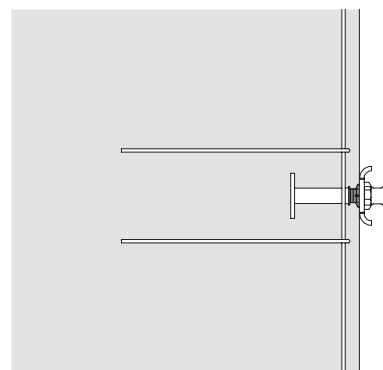


Fig. A8.02b



Warning

Anchoring can become detached!

A fall can result in serious injuries or even death.

- ⇒ Only those components specified by PERI are to be used for the anchoring.
- ⇒ Do not load the anchoring system until the concrete has reached a strength of 10 N/mm².
- ⇒ Concrete quality: C20/C25 or higher.
- ⇒ For maximum support loads, see tables in Section "B1 Application as a working scaffold" on page 36 to Section "B7 Deck bridging options" on page 53.

Anchoring in the wall

(Fig. A8.04 + A8.04a)

Minimum wall reinforcement:

$a_s = 2.57 \text{ cm}^2/\text{m}$.

Possible tie systems

- Suspension Shoe FB with Tie Sleeve M24
- Suspension Shoe FB on Climbing Cone M24/DW 15

Working scaffold and formwork scaffold with mounted formwork

- With Suspension Shoe FB with Tie Sleeve M24.
Edge distance $c_2 \geq 280 \text{ mm}$
Wall thickness $h \geq 180 \text{ mm}$
- With Suspension Shoe FB on Screw-On Cone M24/DW 20.
Edge distance $c_2 \geq 350 \text{ mm}$
Wall thickness $h \geq 200 \text{ mm}$

General

Edge distance $c_3 \geq 280 \text{ mm}$.

When using the Folding Corner Platform FEB:

Edge distance $c_3 \geq 200 \text{ mm}$.

Additional edging reinforcement is required if not already available.

At least:

4 horizontal bales $\varnothing 8$, $e = 12 \text{ cm}$

2 vertical members $\varnothing 8$

Section

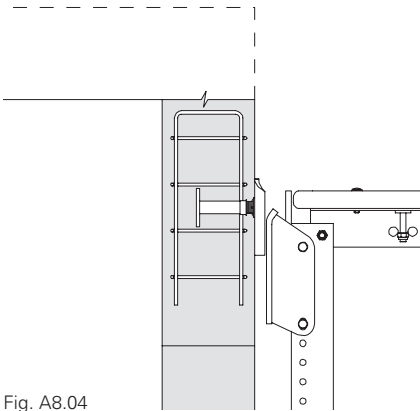


Fig. A8.04

Formwork propped on scaffold without tension anchor (diagram 1 / 2, section I a / b)

- With Suspension Shoe FB on Screw-On Cone M24/DW 20.
Edge distance $c_2 \geq 350$ mm
Wall thickness $h \geq 200$ mm
- Additional rear suspended reinforcement is required with Suspension Shoe FB and Tie Sleeve M24, which is determined and mounted by the contractor. Support loads, "Table 6" on page 39.
A minimum concrete strength of 15 N/mm^2 applies without rear suspended reinforcement.
Edge distance $c_2 \geq 280$ mm
Wall thickness $h \geq 180$ mm

Ground plan

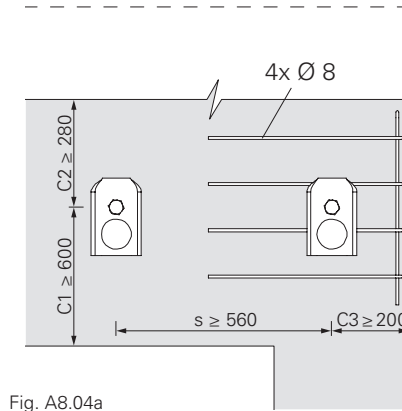


Fig. A8.04a

Formwork propped on scaffold and with tension anchor (Diagram 1 / 2, section II a / b)

- With Suspension Shoe FB on Screw-On Cone M24/DW 20.
Edge distance $c_2 \geq 350$ mm
Wall thickness $h \geq 200$ mm
- Additional rear suspended reinforcement is required with Suspension Shoe FB and Tie Sleeve M24, which is determined and mounted by the contractor. Support loads, see "Table 7" on page 40. A minimum concrete strength of 30 N/mm^2 applies without rear suspended reinforcement. Edge distance $c_2 \geq 280$ mm.
Wall thickness $h \geq 180$ mm.
- Suspension Shoe FB on Climbing Cone M24/DW 15 with an anchoring depth of $h_{\text{nom}} = 210$ mm: actual concrete strength at least 15 N/mm^2
Edge distances $c_1 \geq 600$ mm, $c_2 \geq 350$ mm
Minimum wall thickness 240 mm
For individual parts and installation, see Instructions for Assembly and Use CB 240
Suspension Shoe FB fixed like Tie Sleeve M24 with screw M24x70-10.9
- Suspension Shoe FB on Climbing Cone M24/DW15 with an anchoring depth of $h_{\text{nom}} = 210$ mm: actual concrete strength at least 10 N/mm^2
Edge distances $c_1 \geq 600$ mm, $c_2 \geq 350$ mm
Minimum wall thickness 240 mm
For individual parts and installation, see Instructions for Assembly and Use CB 240
Suspension Shoe FB fixed like Tie Sleeve M24 with screw M24x70-10.9

With Loop Mounting Head-2 FB

Table 2
Anchoring with the Loop Mounting Head-2 FB

| | Tie parts | Suspension components |
|--------------------|---|---|
| Anchor loop | Anchor Loop FB Always use in pairs Article no. 026636 | Loop Mounting Head-2 FB Article no. 026645 |



Warning

Anchoring can become detached!
A fall can result in serious injuries or even death.

- ⇒ Only those components specified by PERI are to be used for the anchoring.
- ⇒ Do not load the anchoring system until the concrete has reached a strength of 10 N/mm².
- ⇒ Concrete quality: C20/C25 or higher.



- Anchoring with the anchor loop is not permitted for supporting formwork.
- When loaded, the Anchor Loop FB is systematically and permanently deformed.
- Any additional bending can cause the anchor loop to become brittle and is not permitted.
- Take care not to damage parts of the building, e.g. windows, with flying sparks when cutting the anchor loops off after use.

Installation instructions

Position the loop mounting heads in pairs and tie to the bottom layer of slab reinforcement with tie wire. Ensure that the concreted end of the Anchor Loops encompasses a reinforcement bar. (Fig. A8.05 + A8.06)

Section

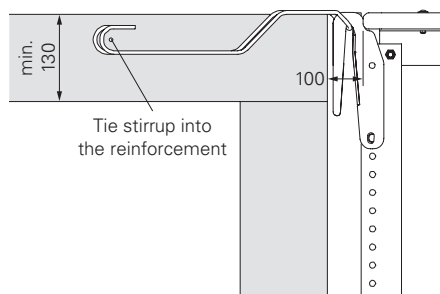


Fig. A8.05

Ground plan

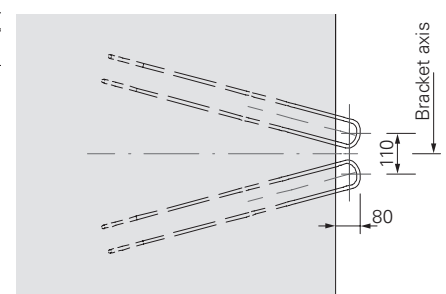


Fig. A8.06

Standard – Applications up to Load Class 4



Permissible load up to Load Class 4, 300 kg/m² (Table 3).

For use with:

- Folding Platform FB 180 - 3/300
- Intermediate Platform FBZ 240
- Folding Corner Platform FEB 180 - 3/300

Suspension with:

- Mounting Head FB
- Loop Mounting Head-2 FB up to Load Class 3 (Fig. B1.01)

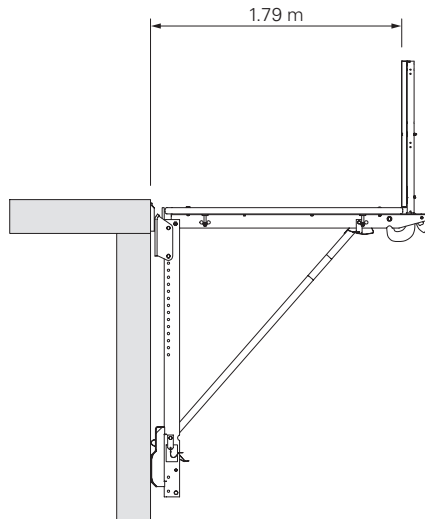


Fig. B1.01

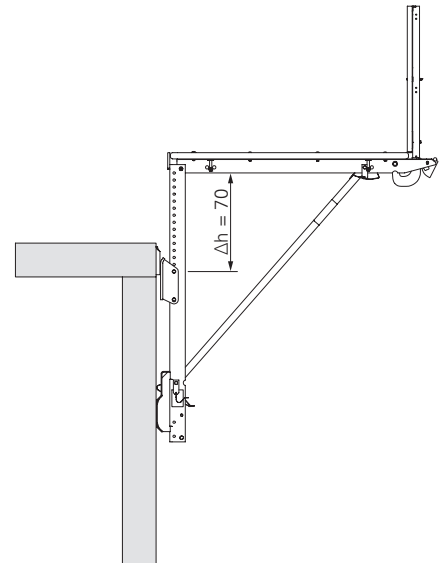


Fig. B1.02



Restrictions:

- Load up to Load Class 4: max. height adjustment $\Delta h = 50$ cm.
- Load up to Load Class 3: max. height adjustment $\Delta h = 70$ cm. (Fig. B1.02)
- When used with support extension 200, the application is limited!
- Load up to Load Class 3: No height adjustment permitted.
- Load up to Load Class 2: max. height adjustment $\Delta h = 20$ cm. (Fig. B1.03)
- Use of the support extension 200 is not permitted for Load Class 4.

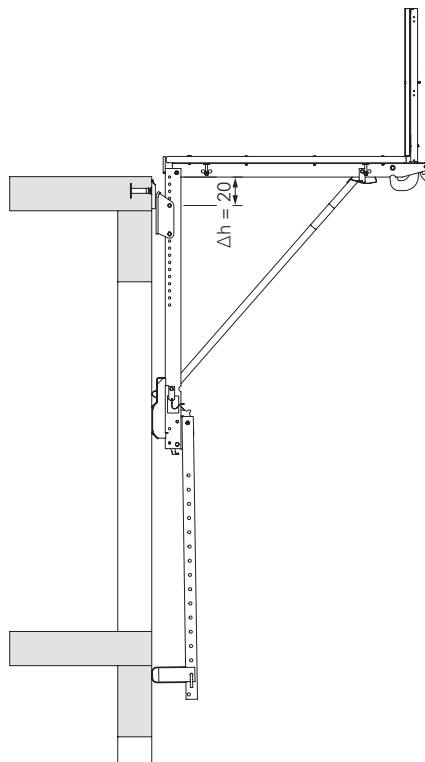


Fig. B1.03

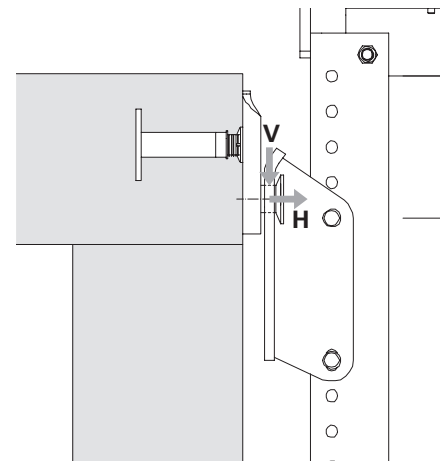


Fig. B1.04

Table 3

Maximum support loads on the suspension shoe

| Load class | Perm. live load | Maximum support loads | |
|------------|-----------------------|------------------------------|--------------------------------|
| | | V – vertical (Fig. B1.04) | H – horizontal (Fig. B1.04) |
| 2 | 150 kg/m ² | 9.7 kN | 3.5 kN |
| 3 | 200 kg/m ² | 11.5 kN | 10.6 kN |
| 4 | 300 kg/m ² | 16.6 kN | 14.4 kN |

Special application – Load Class 5



Permissible load Load Class 5,
450 kg/m² (Table 4).

For use with:

- Folding Platform FB 180 - 3/300
(Intermediate Platform FBZ and
Folding Corner Platform FEB are
not permitted).

Suspension with:

- Mounting Head FB
(Fig. B1.05)



- Cover remaining gaps ≤ 30 cm
between platforms with multi-layer
wooden boards and secure against
slipping.
- Restrictions:
 - No height adjustment permitted.
 - Use with support extension 200
is not permitted.

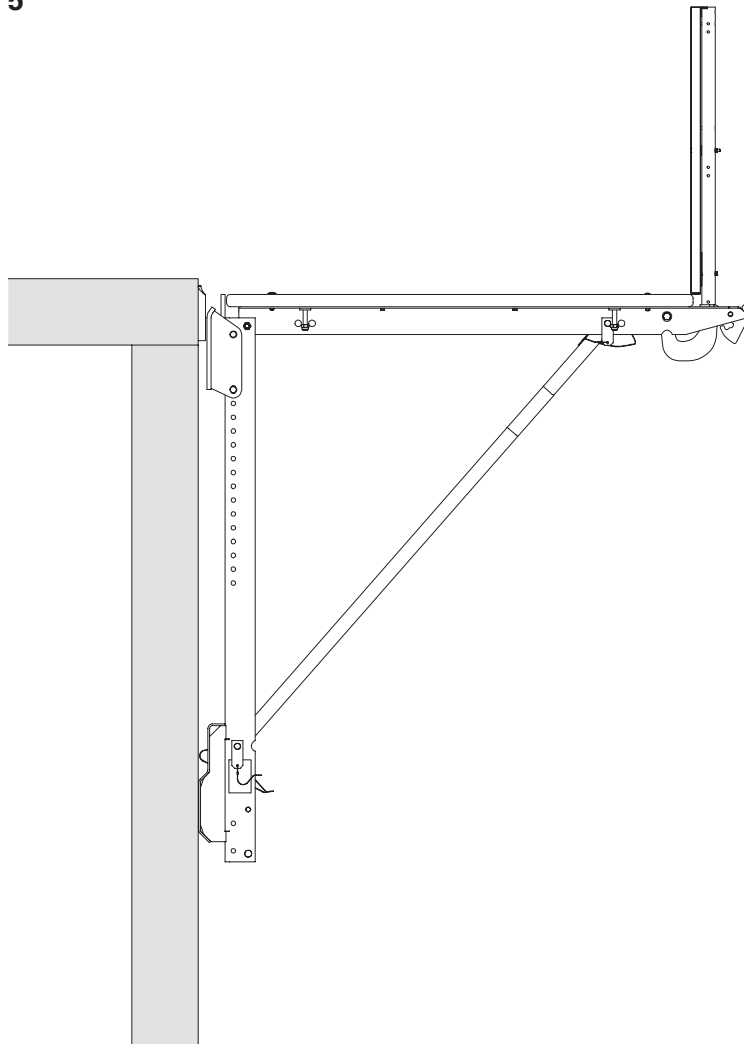


Fig. B1.05

Table 4
Maximum support loads on the suspension shoe

| Load class | Perm. live load | Maximum support loads | |
|------------|-----------------------|------------------------------|--------------------------------|
| | | V – vertical (Fig. B1.04) | H – horizontal (Fig. B1.04) |
| 5 | 450 kg/m ² | 30.9 kN | 16.4 kN |

With mounted formwork



- Permissible load up to Load Class 3, 200 kg/m² (Table 5).
- Max. formwork height = 5.40 m.
- Do not support formwork on the folding platform with push-pull props.

For use with:

- Folding Platform FB 180 - 3/300
- Intermediate Platform FBZ 240
- Folding Corner Platform FEB 180 - 3/300

Suspension with:

- Mounting Head FB



Reinforcement work is done from the outside. Installation of the reinforcement can be carried out from an erected reinforcement scaffold (see separate product information on request).

■ Restrictions:

- For formwork height
 - up to 2.70 m, max. height adjustment $\Delta h = 70$ cm. (Fig. B2.02)
 - 2.70 m to 5.40 m: No height adjustment permitted. (Fig. B2.01)
- Use with support extension 200 is not permitted.
- When used with support extension 300 and compression strut
 - for formwork heights up to 5.40 m, max. height adjustment $\Delta h = 70$ cm.
- For use as a corner platform, see "A4 Folding Corner Platform FEB 180 - 3/300" on page 25.

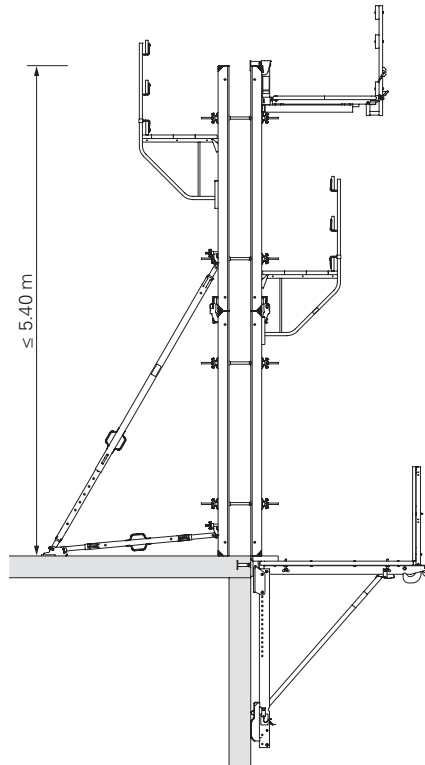


Fig. B2.01

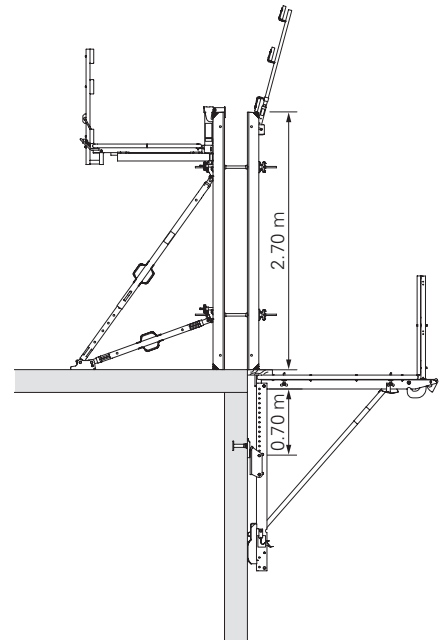


Fig. B2.02

Table 5

Maximum support loads on the suspension shoe

| Formwork height | Perm. live load | Maximum support loads | |
|-----------------|-----------------------|------------------------------|--------------------------------|
| | | V – vertical (Fig. B1.04) | H – horizontal (Fig. B1.04) |
| 5.40 m | 200 kg/m ² | 25.8 kN | 9.9 kN |
| 2.70 m | 200 kg/m ² | 21.0 kN | 9.6 kN |

Interpolation is permitted for intermediate heights.

With supported formwork without tension anchor



- Permissible load up to Load Class 2, 150 kg/m² ("Table 6").
- Max. formwork height in the
 - control range, see "Diagram 1" on page 44, section Ia/Ib.
 - Corner area, see "Diagram 2" on page 45, section Ia/Ib.
- As a temporary safety precaution against exceeding the permissible wind speed, support the formwork - with or without internal formwork - on the structure or remove it, see "Temporary support on the structure" on page 42.

For use with:

- Folding Platform FB 180 - 3/300
- Intermediate Platform FBZ 240
- Folding Corner Platform FEB 180 - 3/300

Suspension with:

- Mounting Head FB



Reinforcement work from the inside.

- **Restrictions:**
 - No height adjustment permitted.
- The permissible wind force can be increased if a tension anchor (Section II) is mounted.

Assembly of push-pull prop on folding platform

Version 1: Base Plate-2 for RS 210 – 1400

1. Bolt Base Plate-2 for RS 210 – 1400 (45 a) into the rear multi-purpose connector (1:11) with Push-Pull Prop Bolt FB (20).
2. Secure Push-Pull Prop RS and Kicker RS with bolts and cotter pins. (Fig. B2.03a)

Version 2: Base Plate-2 for RSS

1. Bolt Base Plate-2 for RSS (45b) into the rear multi-purpose connector (1:11) with Push-Pull Prop Bolt FB (20).
2. Secure Push-Pull Prop RSS and Kicker AV with bolts and cotter pins. (Fig. B2.03b)

Formwork adjustment:

Align the formwork elements vertically as soon as they are set up. Subsequent alignment of the formwork necessitates the loosening of panel connections or the use of tension anchors to prevent the platforms from lifting off. (Fig. B2.03)

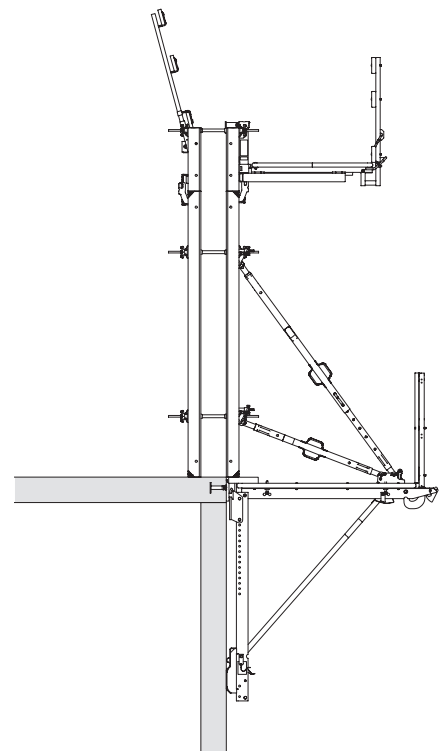


Fig. B2.03

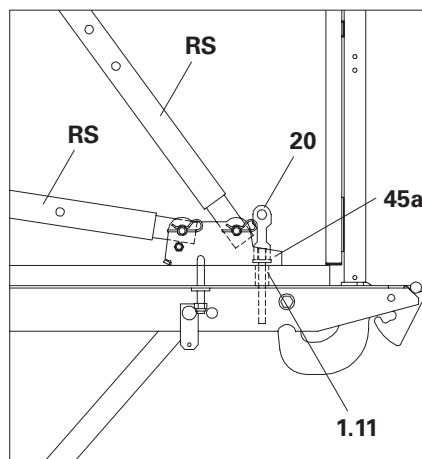


Fig. B2.03a

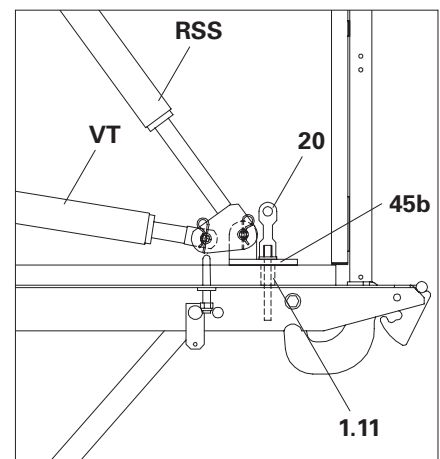


Fig. B2.03b

Table 6

Maximum support loads on the suspension shoe

| Formwork height diagrams 1 / 2 | Perm. live load | Maximum support loads | | Force in the tension bracing |
|--------------------------------|-----------------------|---------------------------|-----------------------------|------------------------------|
| | | V – vertical (Fig. B1.04) | H – horizontal (Fig. B1.04) | |
| Section Ia / Ib | 150 kg/m ² | 28.3 kN | 9.4 kN | 29.8 kN |

With supported formwork and tension anchor



- Permissible load Load Class 2, 150 kg/m² ("Table 7" on page 40).
- Max. formwork height in the control range, see "Diagram 1" on page 44, section IIa/IIb.
 - Corner area, see "Diagram 2" on page 45, section IIa/IIb.
- As a temporary safety precaution against exceeding the permissible wind speed, support the formwork - with or without internal formwork - on the structure or remove it, see "Temporary support on the structure" on page 42.

For use with:

- Folding Platform FB 180 - 3/300
- Intermediate Platform FBZ 240
- Folding Corner Platform FEB 180 - 3/300

Suspension with:

- Mounting Head FB
- Tension anchor with tension belt



- Reinforcement work from the inside.
- A finishing platform may be required for fixing the tension belt in position.
- **Restrictions:**
 - No height adjustment permitted.
 - Use with support extension 200 is not permitted.

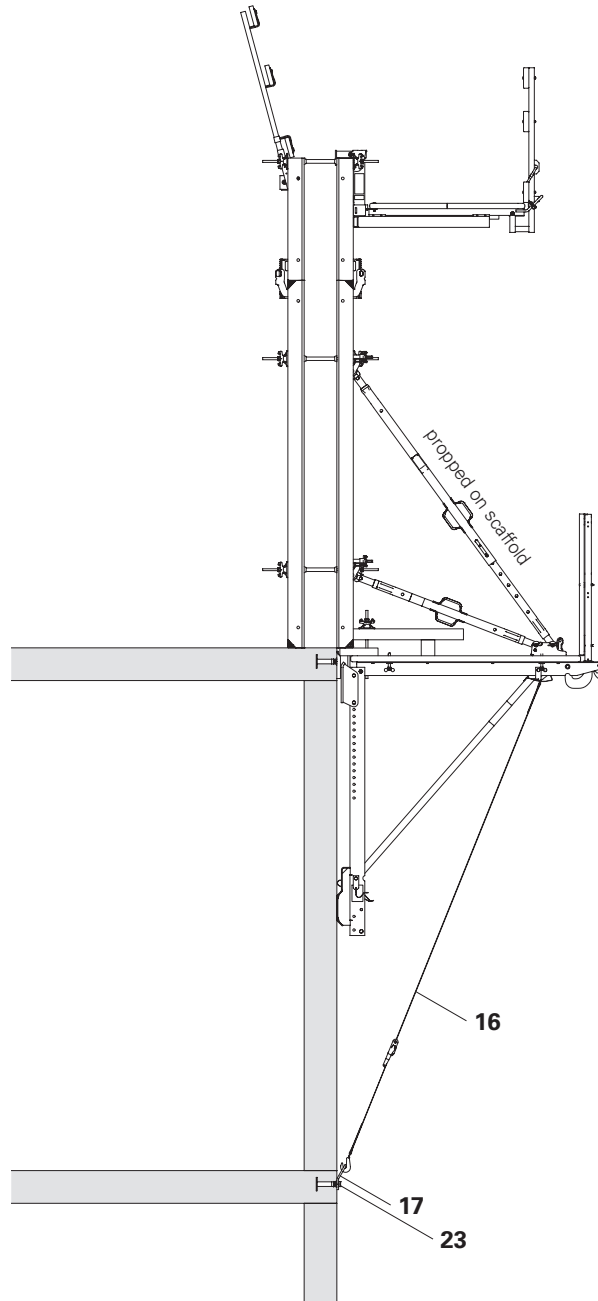


Fig. B2.04

Table 7
Maximum support loads on the suspension shoe

| Formwork height diagram 1/2 | Perm. live load | Maximum support loads | | Force in the tension bracing |
|-----------------------------|-----------------------|---------------------------|-----------------------------|------------------------------|
| | | V – vertical (Fig. B1.04) | H – horizontal (Fig. B1.04) | |
| Section IIa/IIb | 150 kg/m ² | 22.0 kN | 26.3 kN | 16.6 kN |

Secure formwork against lifting

Perm. influence width = 5.0 m.

1. Place squared timber (46) underneath and tension the formwork element with Waler 85 (49), Tie Rod 15 (47) and Wingnut Pivot Plate DW 15 (48) against the multi-purpose connector (1:11). (Fig. B2.04a)

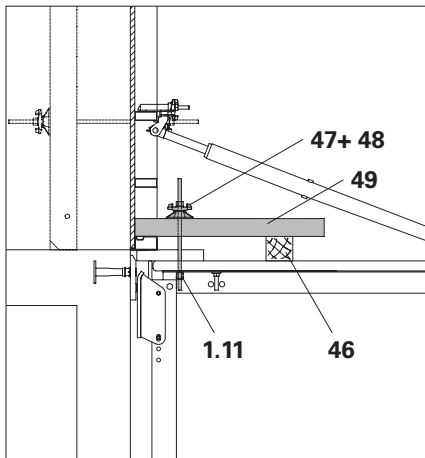


Fig. B2.04a

Assembly of push-pull prop on folding platform

Version 1: Base Plate for RS 210-1400

1. Bolt Base Plate-2 for RS 210-1400 (45a) into the rear multi-purpose connector (1:11) with Push-Pull Prop Bolt FB (20).
2. Secure Push-Pull Prop RS with bolts and cotter pins. (Fig. B2.04b)

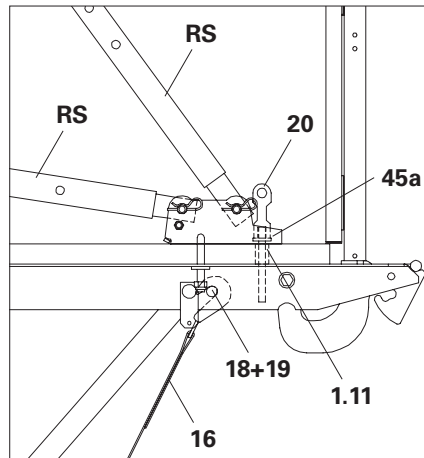


Fig. B2.04b

Version 2: Base plate for RSS

1. Bolt Base Plate-2 for RSS (45b) into the rear multi-purpose connector (1:11) with Push-Pull Prop Bolt FB (20).
2. Secure Push-Pull Prop RSS and Kicker AV with bolts and cotter pins. (Fig. B2.04c)

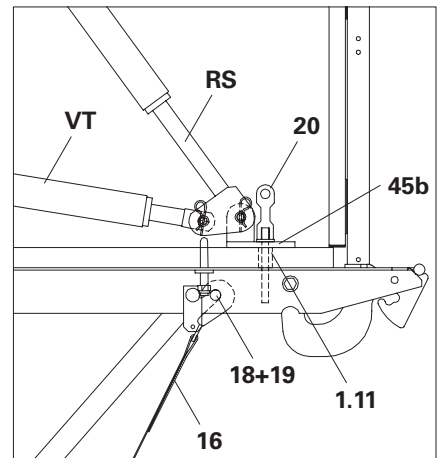


Fig. B2.04c

Tension belt connection

Top

1. Hook the suspension hook of the tension belt (29) in an additional bolt $\text{\O} 16 \times 150$ (18) with cotter pin (19) in the hole behind the connection of the struts. (Fig. B2.04b + B2.04c)

Bottom

1. Fix belt connector wall (17) with Bolt M24 x 70 (23) to the anchoring of the slab below.
2. Hook the tension belt (16) into the belt connector and tension it. (Fig. B2.04)

Temporary support on the structure



- Temporary safety precaution for supported formwork without or with tension anchoring for wind speeds which exceed the permissible limit in the
 - control range, see section III in "Diagram 1" on page 44.
 - corner area, see section III in "Diagram 2" on page 45.
- Max. formwork height = 5.40 m.
- Support when internal formwork is not available, e.g. for reinforcement work. (Fig. B2.05)
- Support when internal formwork is installed with mounted formwork. (Fig. B2.06)

For use with:

- Folding Platform FB 180 - 3/300
- Intermediate Platform FBZ 240
- Folding Corner Platform FEB 180 - 3/300

Suspension with:

- Mounting Head FB



- Maximum support loads, see "Table 5" on page 38.
- No height adjustment permitted.
- In the event of a storm warning, platforms without loads and loose coverings are to be secured against lifting in order to ensure stability.

Support safety precaution on the structure

1. Tension Connection Plate AV (64) with Tie Rod B15 (65), Hex. Nut DW 15 AF 30/50 (66) and Wing-nut Pivot Plate DW 15 (48) to the formwork. (Fig. B2.05a)
2. Fix Base Plate-2 for RS (45a) to concrete slab, e.g. with tie bolt 14/20 x 130 or equivalent.
3. Bolt push-pull prop to the Connection Plate AV and Base Plate RS. (Fig. B2.05)

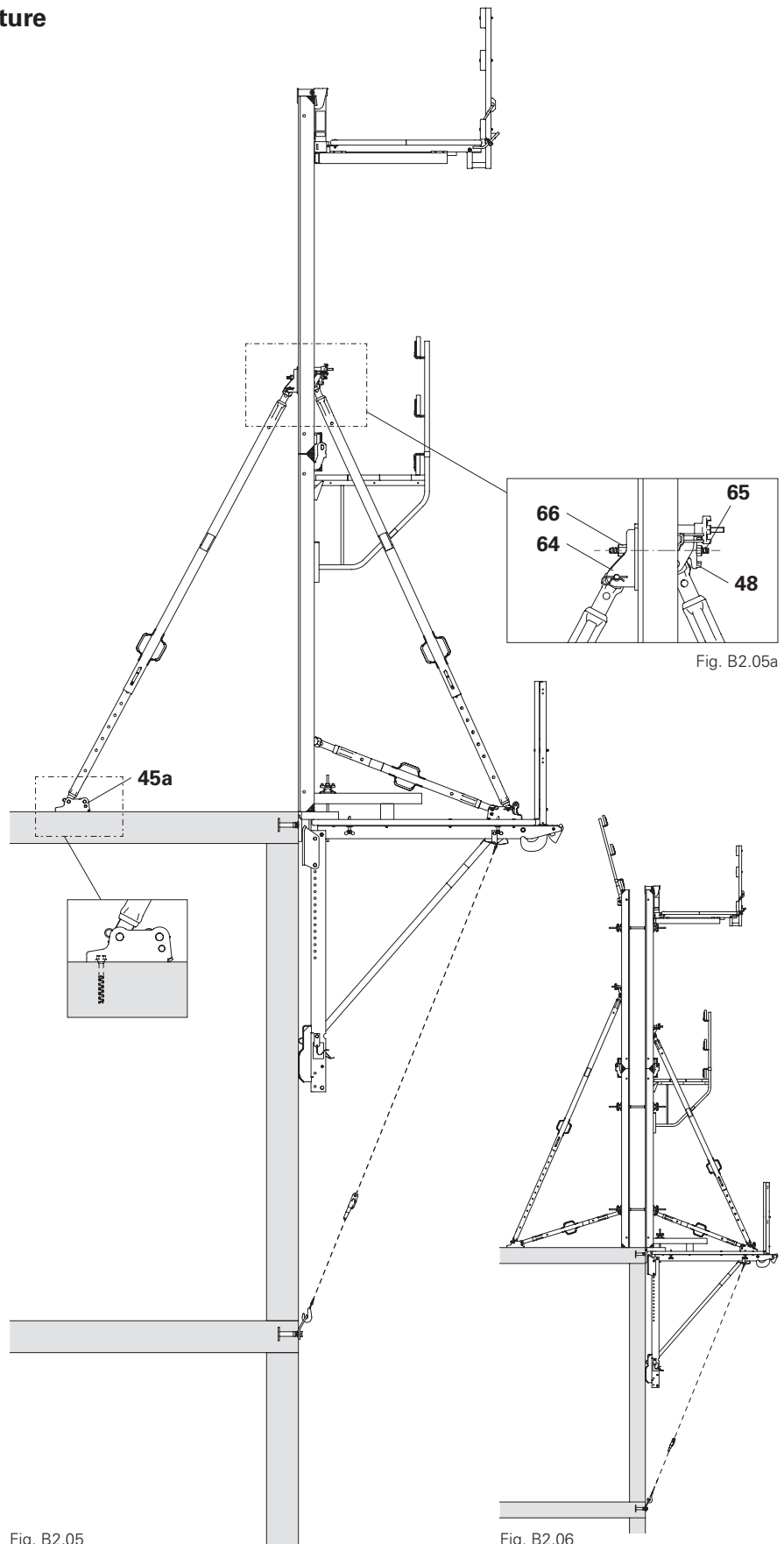


Fig. B2.05

Fig. B2.06

Overview of the alternatives



For use with:

- Folding Platform FB 180 - 3/300
- Intermediate Platform FBZ 240
- Folding Corner Platform FEB 180 - 3/300

Table 8

| Section * | Ia + Ib | IIa + IIb | III |
|-----------------------|---------|-----------|------|
| Tension anchor | without | with | with |
| Support to the inside | without | without | with |
| | | | |

* Section, see diagram 1/2.

- γ_F load-side safety factor; typically 1.5 is used.
- κ Exposure-time factor
- $q_p(z)$ Wind pressure
- h_s Formwork height

For the formula $\gamma_F * \kappa * q_p(z)$, determine the wind pressure and the exposure-time factor specific to the project.

Platform case distinction when using the wind diagram, see "Table 9"

- Control range, see "Diagram 1" on page 44.
- Corner area, see "Diagram 2" on page 45.

Table 9

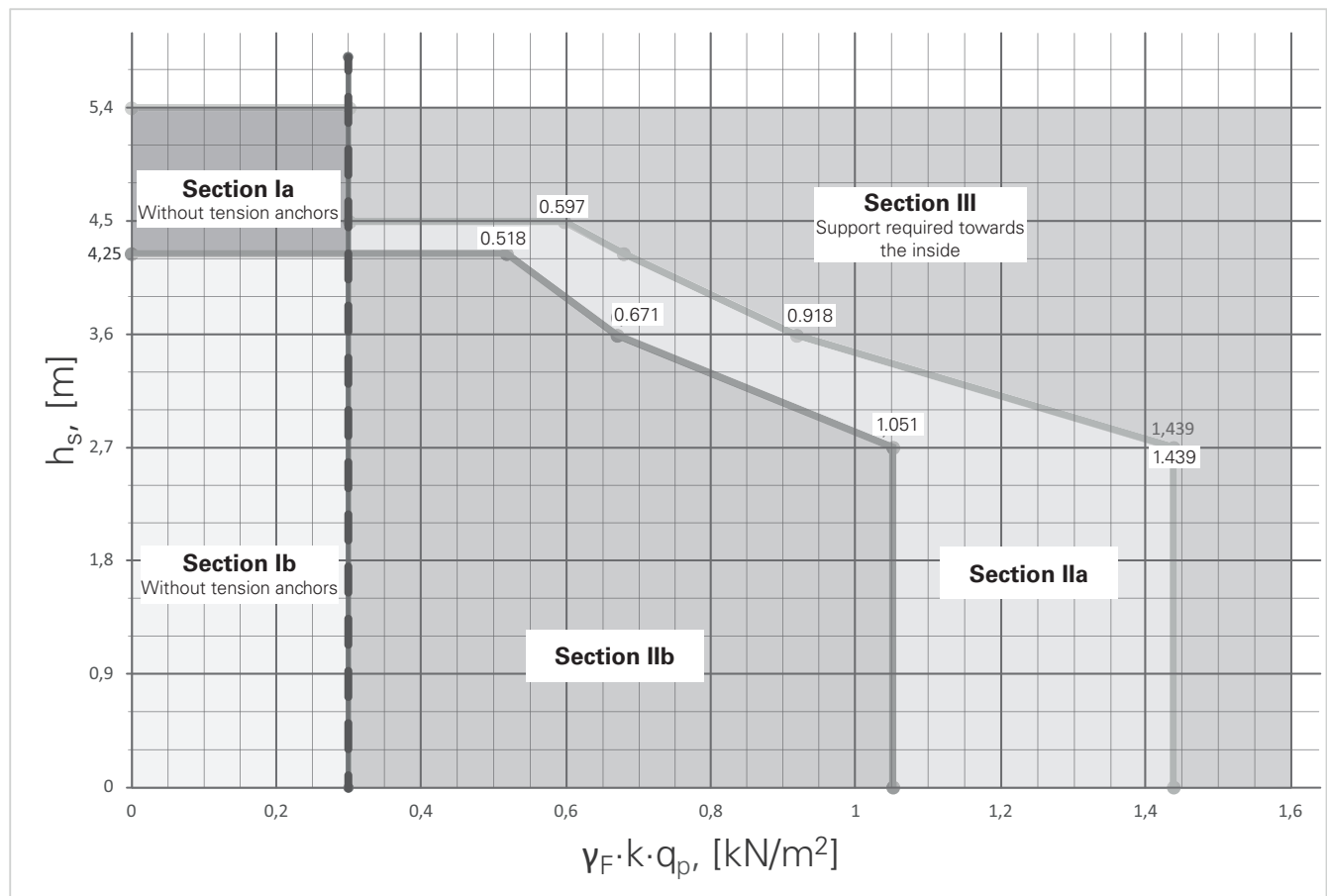
| Area | Control range (RB) (Fig. B2.07) | | Corner area (EB) (Fig. B2.08) | |
|------|--|------------------------|----------------------------------|---------------------------|
| | max. h_s [m] | max. B_{RB}^* [m] | max. h_s [m] | max. B_{EB}^{**} [m] |
| Ia | 5.40 | 2.50 | 5.40 | 2.00 |
| IIa | 4.50 | | 4.50 | |
| Ib | 4.25 | 3.40 | 4.05 | 2.50 |
| IIb | 4.25 | | 4.05 | |
| III | If the intersection between formwork height and dynamic pressure is in section III, the formwork must be anchored on the building side so it is tensile and compression-proof, as the platform can no longer take these loads. | | | |

* B_{RB} – Influence width of the formwork in the control range

** B_{EB} – Influence width of the formwork in the corner area

Control range

Diagram 1



Corner area
Diagram 2

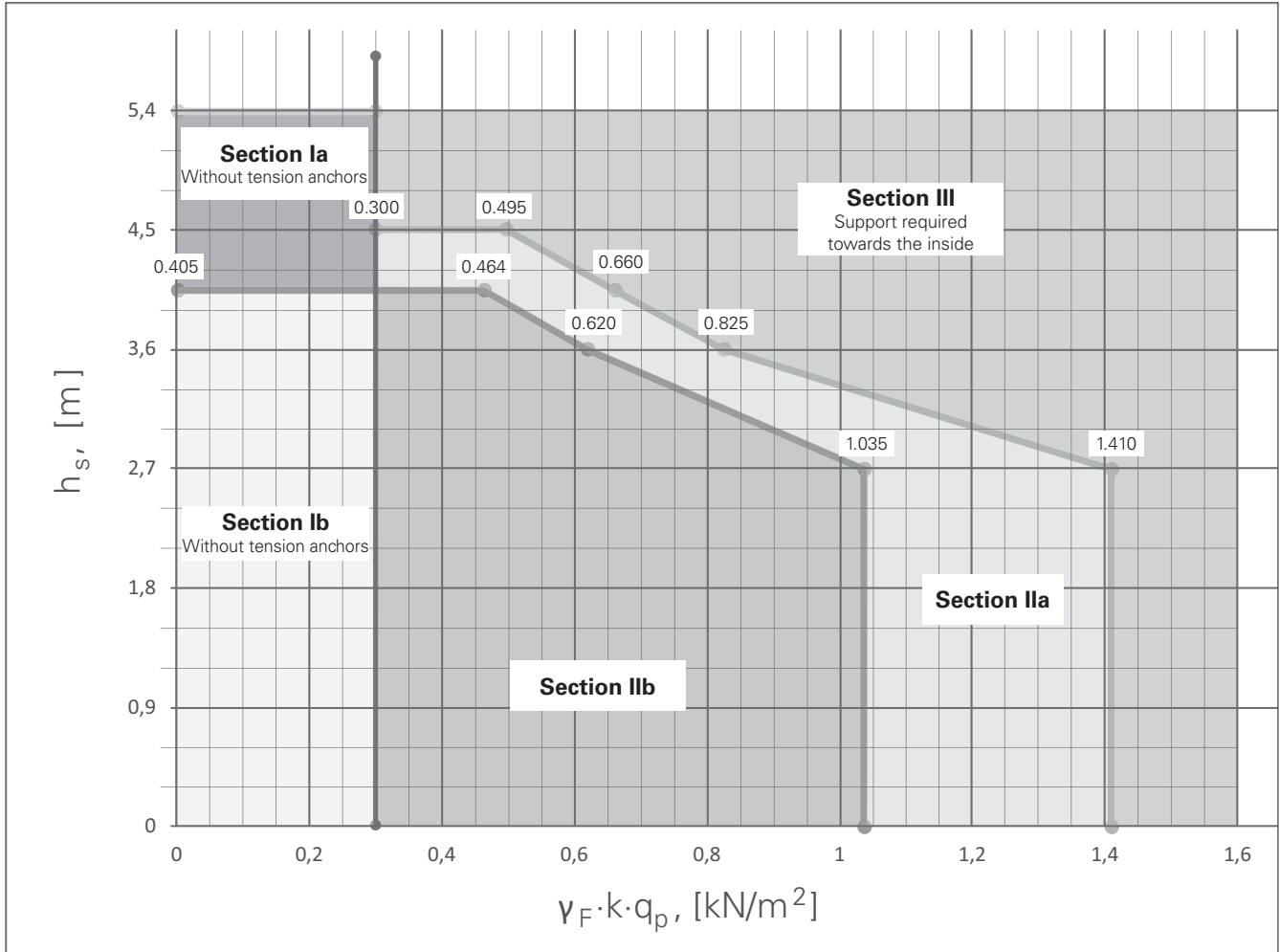


Table 10

| Application | Load class permissible load | Anchoring with | Platforms used | max. support loads in kN | | | Support extension | Height adjustment | Formwork height |
|---------------------------------|-----------------------------|---|----------------|--------------------------|------|------|-------------------|---|--------------------|
| | | | | V | H | R | | | |
| Use as working scaffold | | | | | | | | | |
| Standard 1 | 2 150 kg/m ² | Standard mounting head/loop mounting head | FB FBZ, FEB | 9.7 | 3.5 | 10.3 | 300 200* | $\Delta h \leq 70 \text{ cm}$ * $\Delta \leq 20 \text{ cm}$ | – |
| Standard 2 | 3 200 kg/m ² | Standard mounting head/loop mounting head | FB FBZ, FEB | 11.5 | 10.6 | 15.6 | 300 200** | $\Delta h \leq 70 \text{ cm}$ ** $\Delta = 0 \text{ cm}$ | – |
| Standard 3 | 4 300 kg/m ² | Standard mounting head | FB FBZ, FEB | 16.6 | 14.4 | 22.0 | 300 | $\Delta h \leq 50 \text{ cm}$ | – |
| Special | 5 450 kg/m ² | Standard mounting head | FB | 30.9 | 16.4 | 35.0 | 300 | $\Delta h = 0 \text{ cm}$ | – |
| Use as formwork scaffold | | | | | | | | | |
| Formwork erected on scaffold | 3 200 kg/m ² | Standard mounting head | FB FBZ, FEB | 21.0 | 9.6 | 23.1 | 300 | $\Delta h \leq 70 \text{ cm}$ | 2.70 m |
| Formwork erected on scaffold | 3 200 kg/m ² | Standard mounting head | FB FBZ, FEB | 25.8 | 9.9 | 27.6 | 300*** | $\Delta h \leq 0 \text{ cm}$ *** $\Delta \leq 70 \text{ cm}$ | 5.40 m |
| Formwork propped on scaffold | 2 150 kg/m ² | Standard mounting head | FB FBZ, FEB | 28.3 | 9.4 | 29.8 | 300 | $\Delta h = 0 \text{ cm}$ | Diagram Section II |
| Formwork propped on scaffold | 2 150 kg/m ² | Standard mounting head | FB FBZ, FEB | 21.5 | 15.4 | 26.4 | 300 | $\Delta h = 0 \text{ cm}$ | Diagram Section I |
| | | | | 22.0 | 26.3 | 34.3 | 0 | | Diagram Section II |

Height adjustment:

- if using Folding Corner Platform FEB: $\Delta h = 5, 10, 15, 65, 70 \text{ cm}$
- For use
 - as working scaffold with support extension 200:
 - Load Class 2: $\Delta h \leq 20 \text{ cm}$
 - Load Class 3: $\Delta h \leq 0$
 - as formwork scaffold with support extension 200 not permitted.

The maximum support loads V and H can arise from different load cases:

$$\rightarrow \sqrt{V^2 + H^2} \neq R$$

Anchoring in the wall

- **Working scaffolds:**
Anchoring with Suspension Shoe FB on Tie Sleeve M24 or Screw-On Cone M24/DW 20.
- **Formwork scaffolds with mounted formwork:**
Anchoring with Suspension Shoe FB on Tie Sleeve M24 or Screw-On Cone M24/DW 20.
- **Formwork propped on scaffold:**
Anchoring with Suspension Shoe FB on Screw-On Cone M24/DW 20.
Anchoring with Suspension Shoe FB on Tie Sleeve M24 or Screw-on Cone M24/DW 20 with increased requirements on the anchorage, see Section A8.

Anchoring to the slab

- **Working scaffolds:**
Anchoring with Suspension Shoe FB on Tie Sleeve M24 or Screw-On Cone M24/DW 20.
Anchoring with pair of loop mounting heads.
- **Formwork scaffolding:**
Anchoring with Suspension Shoe FB on Tie Sleeve M24 or Screw-On Cone M24/DW 20.

With formwork on top, no wind loads from the formwork (e.g. via the push-pull props) are allowed to be transferred into the folding platform.

If the permissible wind loads given in diagrams 1/2 are exceeded with supported formwork, the additional safety precautions determined beforehand are to be implemented. (Supporting the formwork with push-pull props on the building's slab or taking down the formwork.)

Use as roof safety scaffold

Permissible vertical spacing to the building edge.
(Fig. B4.01 + Table 11)



- Roof safety scaffolds may only be used if guardrails cannot be installed due to technical reasons or are unavailable.
- Assembly instructions based on a risk assessment are required.



- With floor heights of up to 3.70 m, a maximum fall height of 3.00 m must be ensured if the platforms are installed $\Delta h = 70$ cm higher.

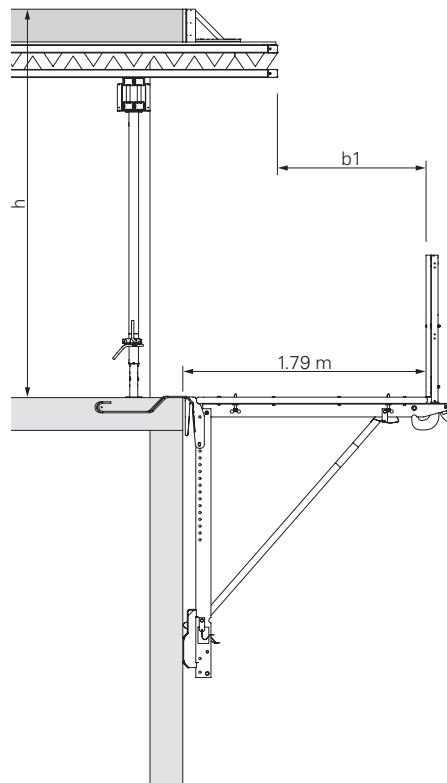


Fig. B4.01

Table 11
Perm. vertical spacing [m] for the open building edge according to DIN 4420

| | | |
|-----------------|-------------|-------------|
| Fall height h | ≤ 2.00 | ≤ 3.00 |
| Min. spacing b1 | ≥ 0.90 | ≥ 1.30 |

Use as protection roof



- Cover gaps in the deck and lateral protection.
- Minimum height of the rear panel = 60 cm.

Any gaps in the following areas are to be closed using suitable materials supplied by the contractor:

- On the folding platform.
- Between the structure and folding platform.
- Between the main platforms.

(Fig. B4.02)

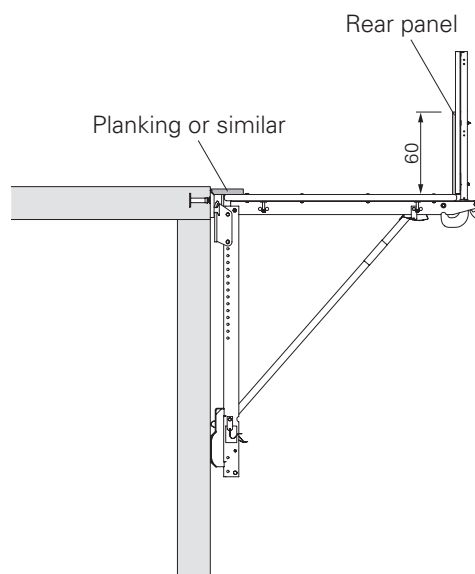


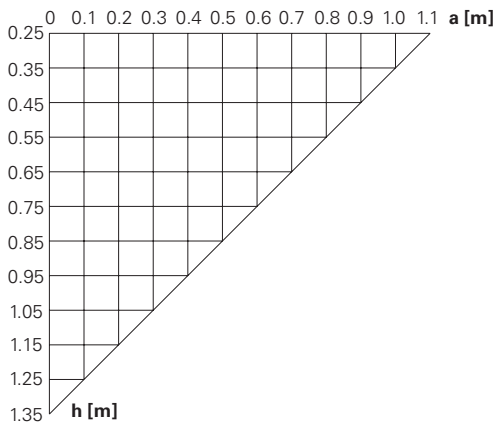
Fig. B4.02

Without guardrail extension

Utilisation height $H \leq 100$ m above ground level (except for in the German Bight). (Fig. B5.01)

Diagram 3

Determining the max. distance h to the eaves edge



a = width of eaves
 h = vertical spacing from eaves to decking

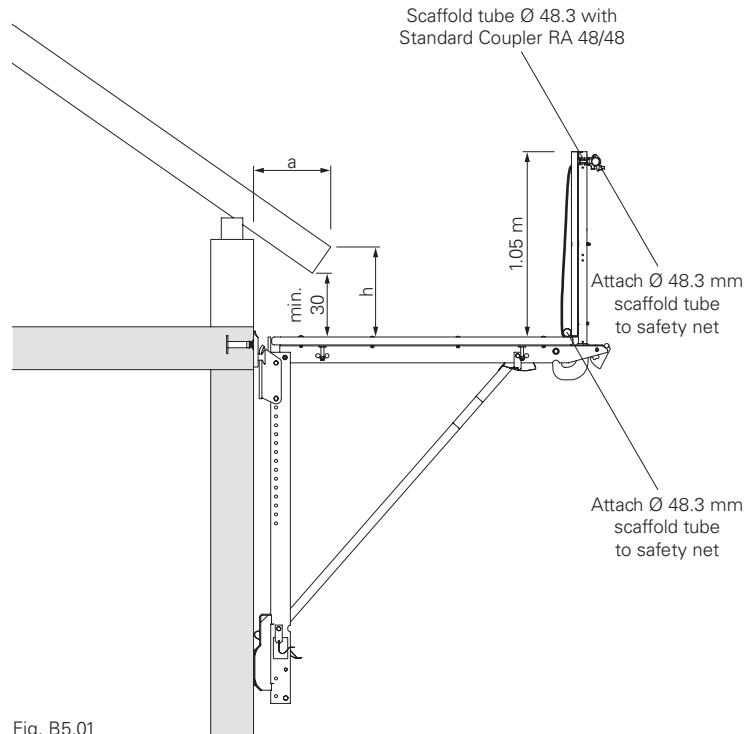


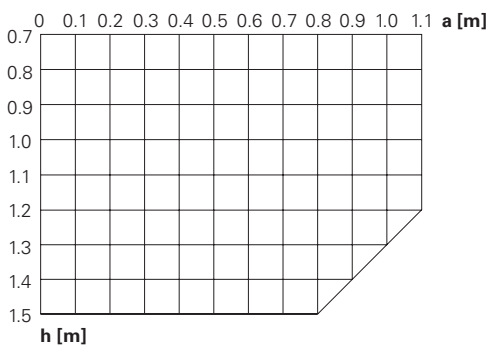
Fig. B5.01

With guardrail extension

Utilisation height $H \leq 20$ m above ground (Fig. B4.02).

Diagram 4

Determining the max. distance h to the eaves edge.



a = width of eaves
 h = vertical spacing from eaves to decking

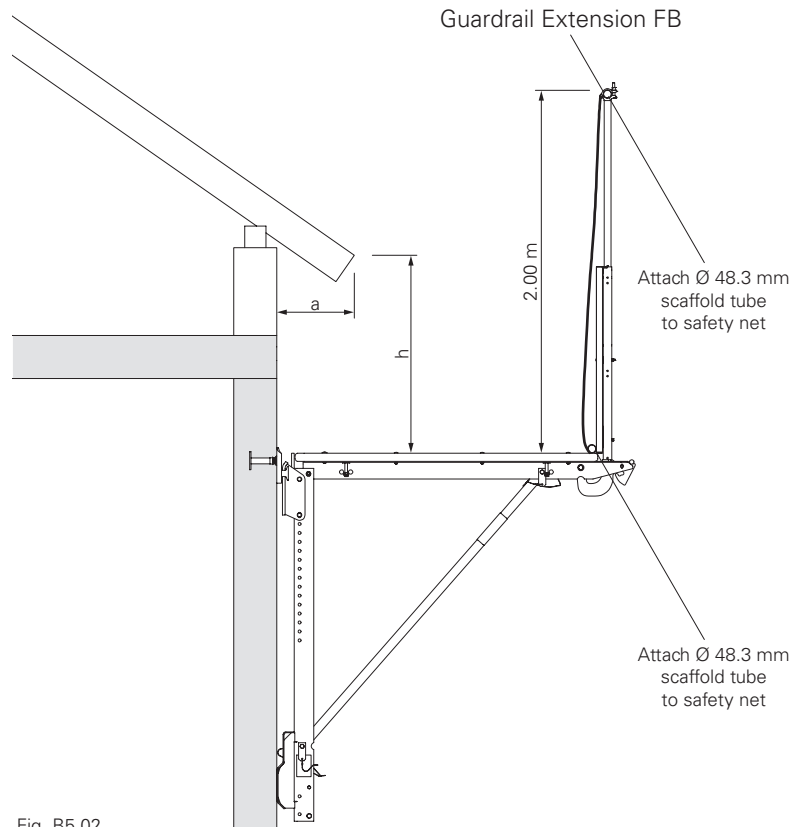


Fig. B5.02

With Finishing Platform FBN-2



Warning

Risk of people falling!

This can result in serious injuries or even death.

⇒ Secure ladder access points with safety nets.

For use when

- Dismantling the anchoring.
- Assembling and disassembling the tension belt.
- Post-treating the concrete surface.
- Guardrail is on storey below if no parapet is provided.

(Fig. B6.01)

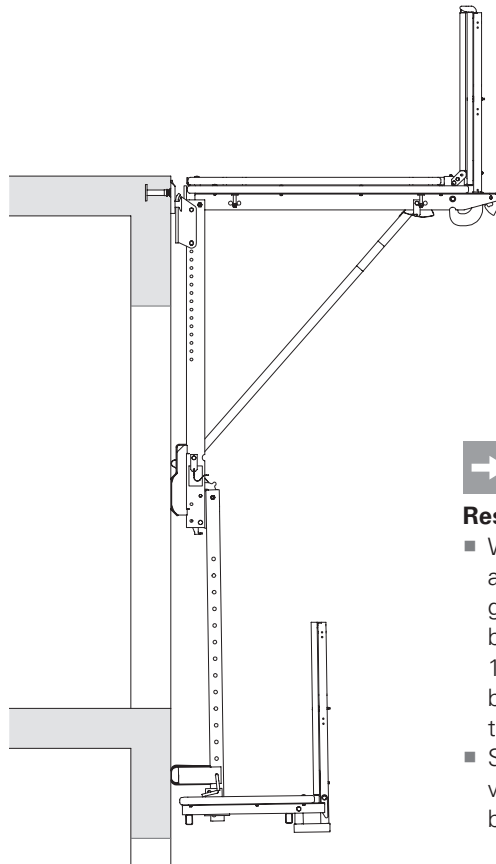


Fig. B6.01



Restrictions

- When Intermediate Platforms FBZ are used, the maximum permissible gap between the platforms should be limited to 1.0 m (bracket spacing 1.50 m) to ensure that decks supplied by the contractor can be attached to the finishing platforms.
- Supplement the lateral protection with scaffold tubes (**43**) or handrail boards on site. (Fig. B6.02)

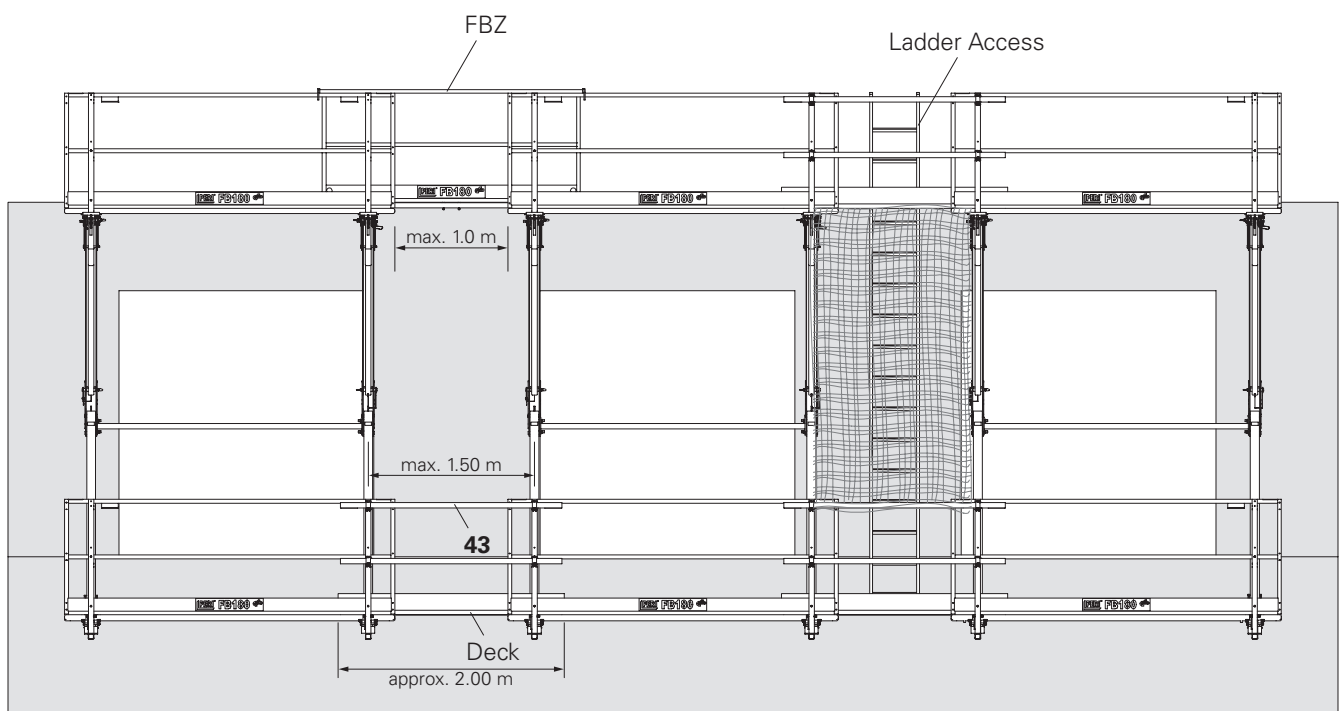


Fig. B6.02

With horizontal girders

If no support extension is used for bridging, openings with a limited width can be bridged with horizontal girders.

Steel Waler SRU U120

Fixing with Hex. Bolt M12 x 240, Washer A12, Counterplate DW 15, 120 x 120 x 15 and Nut M12 in a drilled hole \varnothing 13 mm to the vertical strut of the console bracket. (Fig. B6.03 + B6.03a)

Squared timber 8/12 cm (46)

Fixing with TSS-Torx 8 x 58 in drilled hole \varnothing 13 mm to the vertical strut of the console bracket. If there are two squared timbers, connect them both with wood screws (Fig. B6.03 + B6.03b)

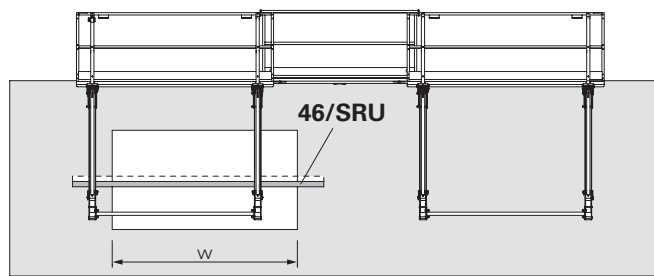
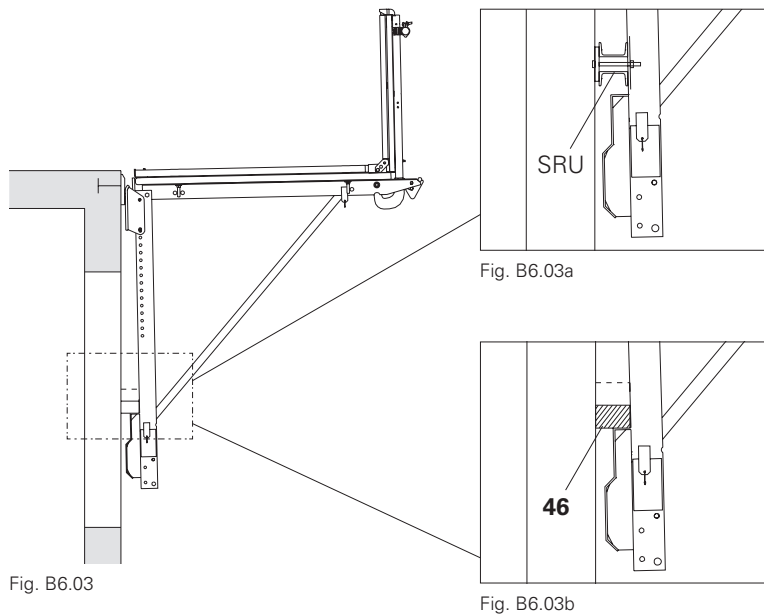


Table 12
Permissible opening width w for use as working scaffold

| Girder used | Load class 2 150 kg/m ² | Load class 3 200 kg/m ² | Load class 4 300 kg/m ² | Load class 5 450 kg/m ² |
|--------------------------|---------------------------------------|---------------------------------------|---------------------------------------|---------------------------------------|
| Squared timber 8 x 12 | 1.61 m* | 1.29 m | – | – |
| 2x squared timber 8 x 12 | 1.89 m | 1.51 m | 1.84 m* | – |
| Steel Waler SRU U120 | 6.31 m | 5.69 m | 4.97 m | 3.05 m |

* Height adjustment is not permitted: $\Delta h = 0$

Table 13
Permissible opening width w for use as formwork scaffold

| Girder used | Formwork 2.70 m on scaffold Load Class 3 | Formwork 5.40 m on scaffold Load Class 3 | Diagram, section I / II propped on scaffold Load Class 2 |
|--------------------------|--|--|--|
| Squared timber 8 x 12 | 1.02 m | – | – |
| 2x squared timber 8 x 12 | 2.03 m | 1.18 m | 1.03 m |
| Steel Waler SRU U120 | 6.54 m | 5.13 m | 4.87 m |

With Intermediate Platform FBZ

Intermediate Platform FBZ between 2 x Folding Platforms FB 180-3/300.
(Fig. B7.01)



Permissible load up to Load Class 4, 300 kg/m².

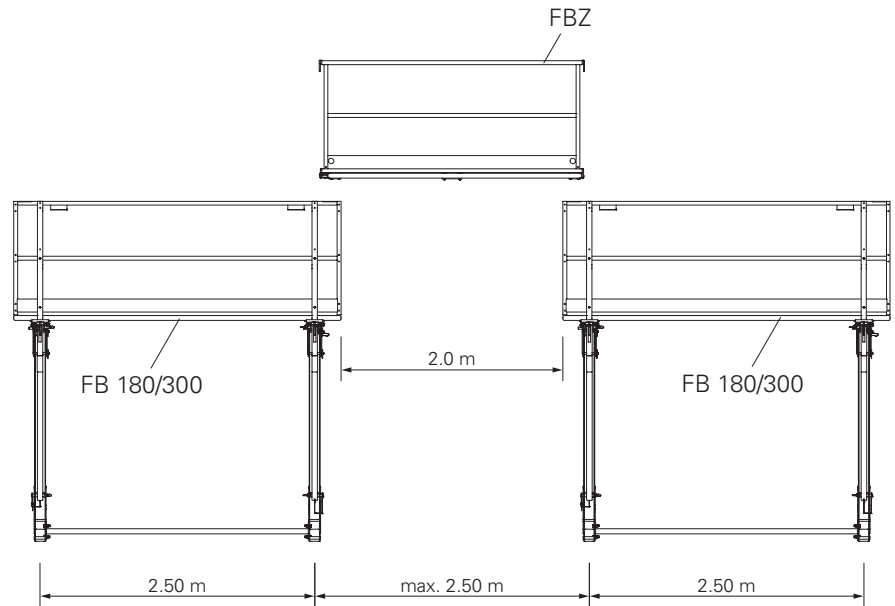


Fig. B7.01

Single bracket with Intermediate Platform FBZ and End Platform (FBZ + FB 180).

(Fig. B7.02)



Permissible load up to Load Class 4, 300 kg/m².



It is not possible to use the Finishing Platform FBN on the single bracket.

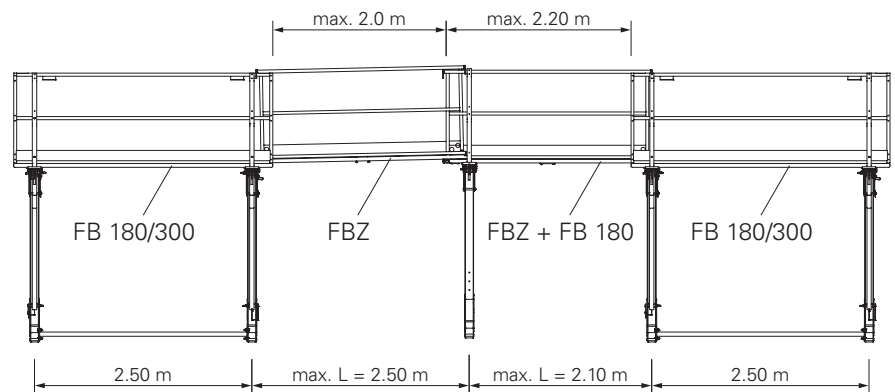


Fig. B7.02

Intermediate Platform FBZ as end platform with Single Bracket FB 180 at the end of the scaffold.

(Fig. B7.03)



Permissible load up to Load Class 4, 300 kg/m².



It is not possible to use the Finishing Platform FBN on the single bracket.

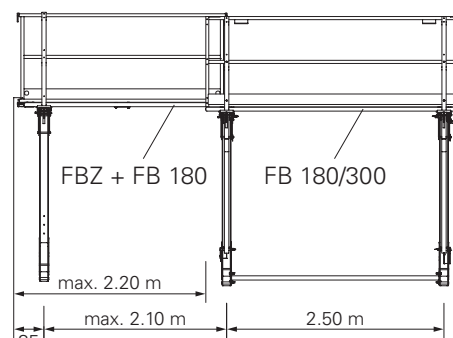


Fig. B7.03

With individual scaffold boards

Work scaffolds

The boards used for work scaffolding depend on the load class and span L. (Table 14)

Lateral protection

Scaffold Tubes $\varnothing 48.3 \times 3.2$, L = 3.0 m attached with Standard Coupler RA 48/48 or Boards 3 x 15 cm, Toe Board 3 x 15 cm. (Fig. B7.04)

Safety scaffold

The type and layout selected depends on the fall height and span in accordance with the valid safety regulations.

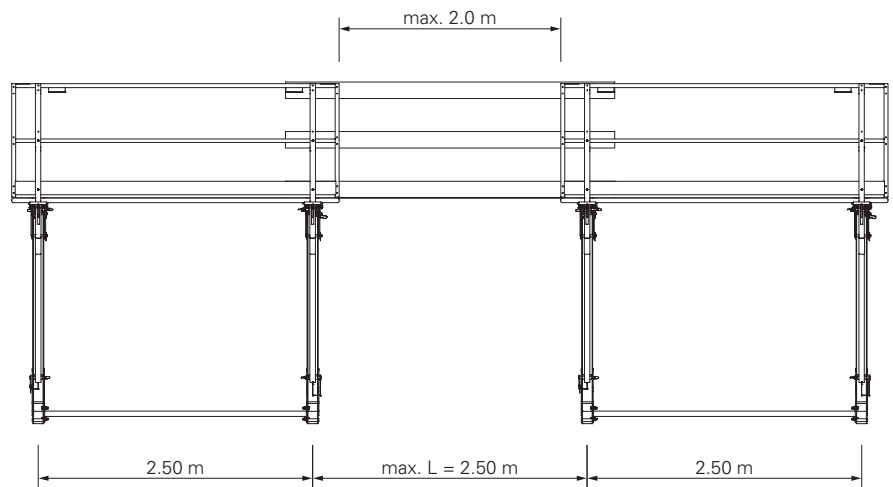


Fig. B7.04

Table 14

Minimum dimensions of scaffold boards/planking for working scaffolds

| Load class | Board or plank width [cm] | Board or plank thickness [cm] | | | | |
|------------|---------------------------|-------------------------------|------|------|------|------|
| | | 3.0 | 3.5 | 4.0 | 4.5 | 5.0 |
| | | Permissible span L [m] | | | | |
| 1, 2, 3 | 20 | 1.25 | 1.50 | 1.75 | 2.25 | 2.50 |
| | 24, 28 | 1.25 | 1.75 | 2.25 | 2.50 | 2.50 |
| 4 | 20 | 1.25 | 1.50 | 1.75 | 2.25 | 2.50 |
| | 24, 28 | 1.25 | 1.75 | 2.00 | 2.25 | 2.50 |

Layout planning



Firstly, the edge areas (internal and external corners, restricted wall returns) are determined. Main and intermediate platforms are used in the intermediate sections.

(Fig. B8.01 + B8.02)

Use intermediate platforms only where main platforms can be safely accessed during erection and dismantling. Observe valid safety regulations.

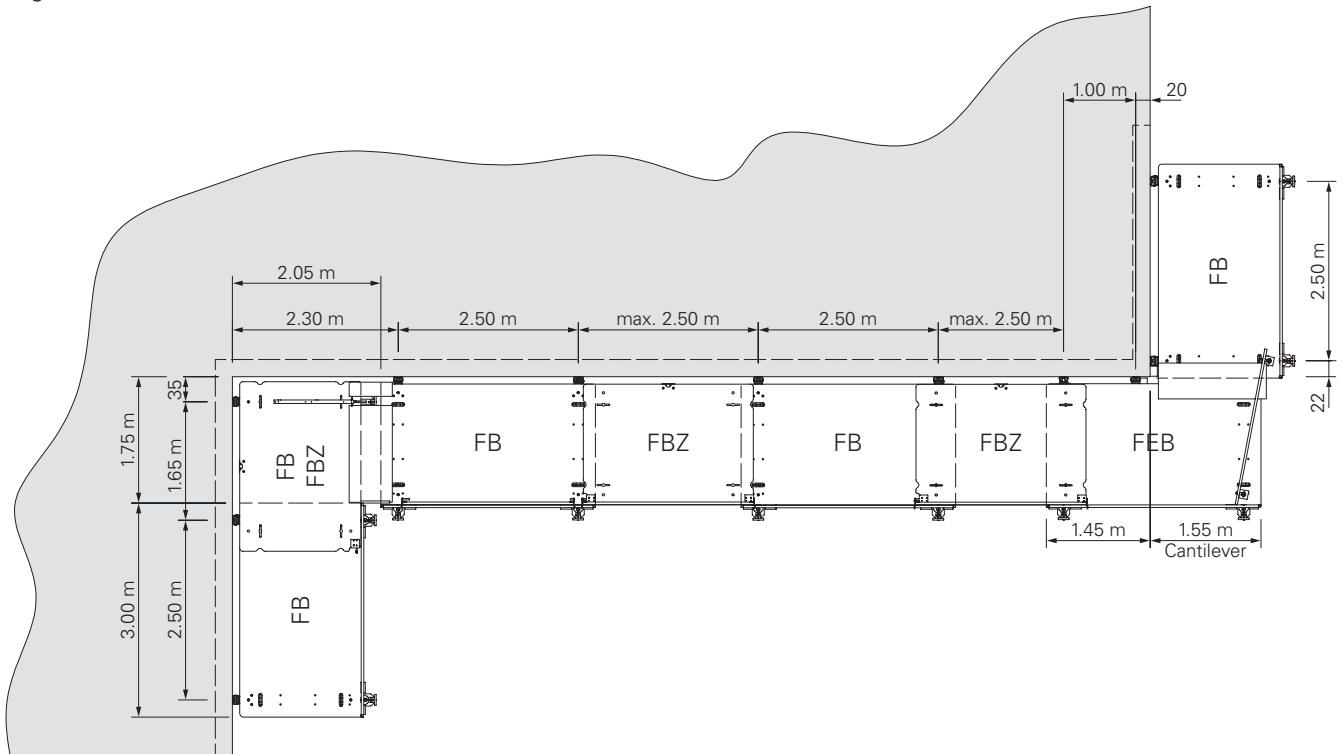


Fig. B8.01

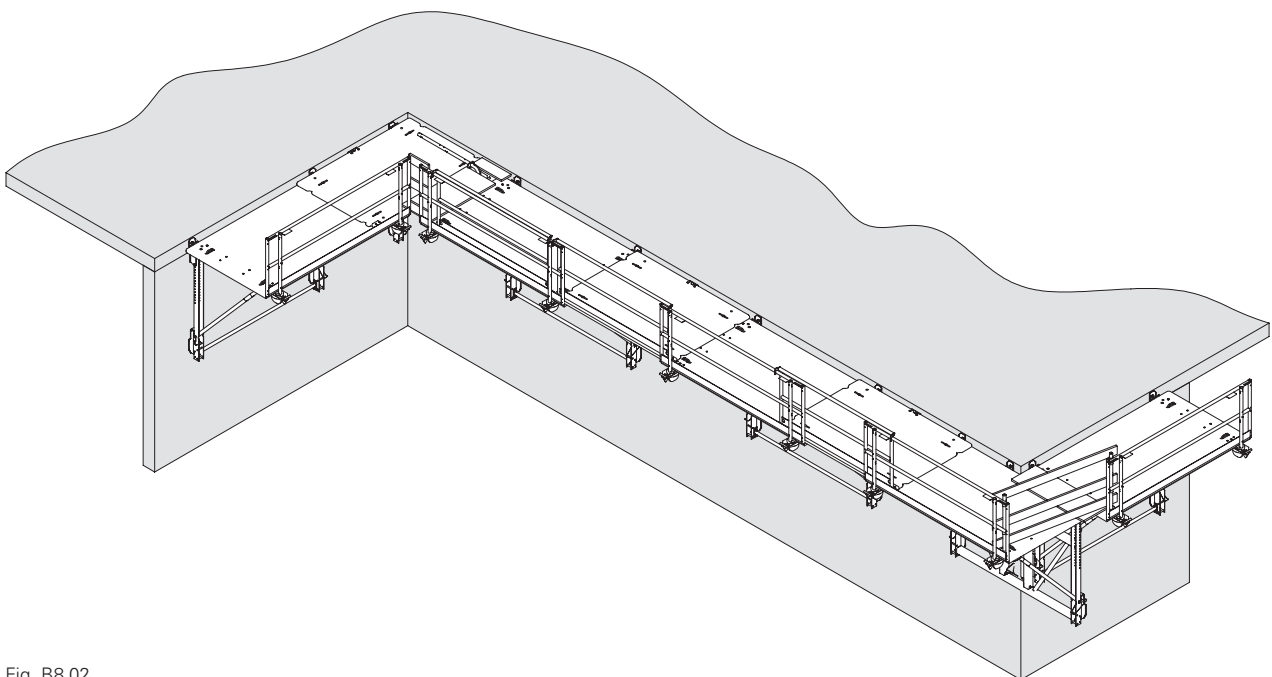


Fig. B8.02

FB 180 Folding Platform System

Article no. Weight kg

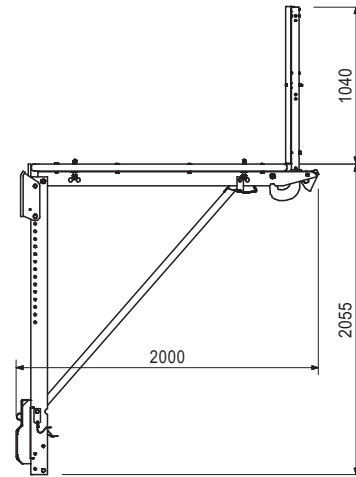
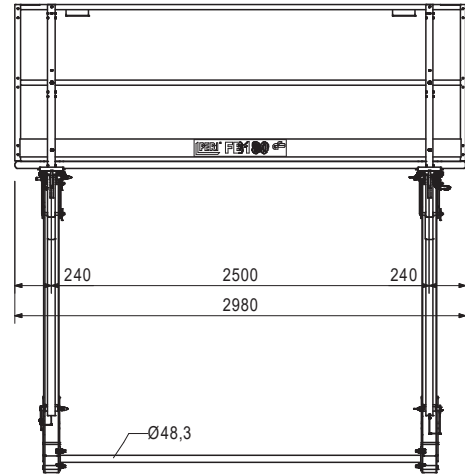
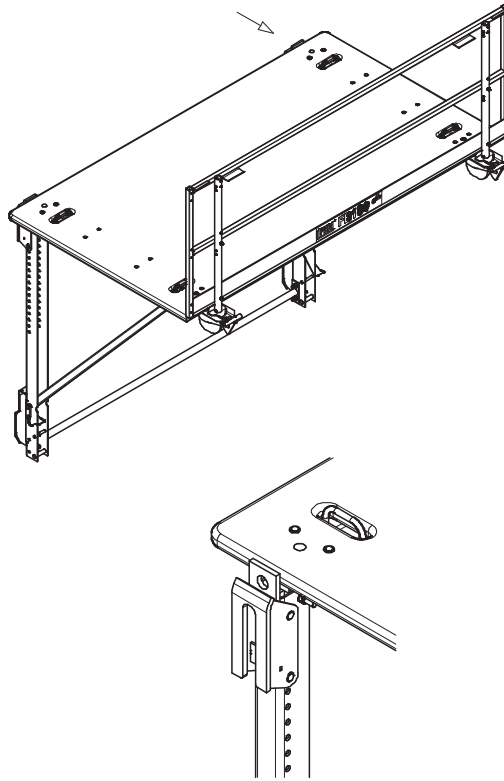
026648 311.000

Folding Platform FB 180 - 3/300

Working and safety scaffold. With continuous 45-mm-thick platform lining and foldable guardrail frame.

Technical data

Permissible load 300 kg/m².
For special applications 450 kg/m².



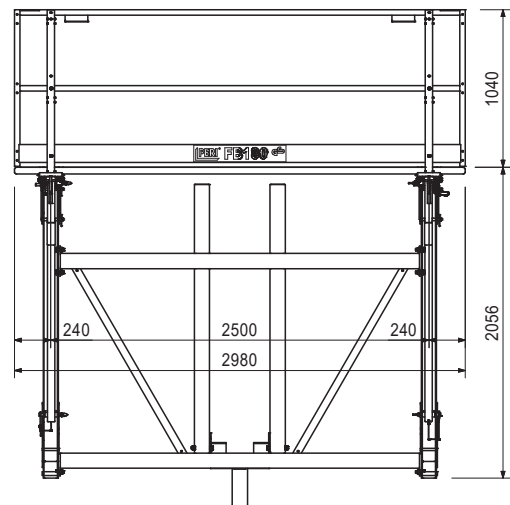
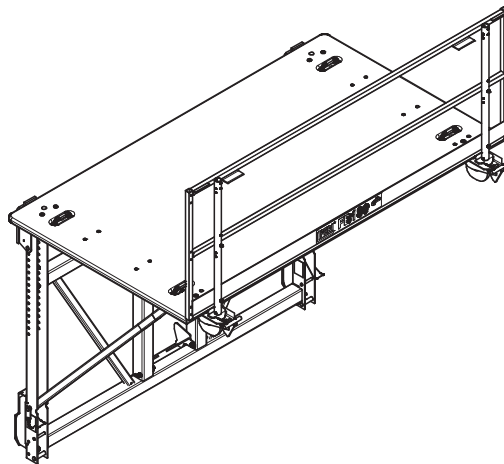
026649 478.000

Folding Corner Platform FEB 180 - 3/300

The corner platform can be used for both left and right hand corners. Assembled from the folding platform and the Corner Platform Frame FBE.

Technical data

Permissible load 300 kg/m².



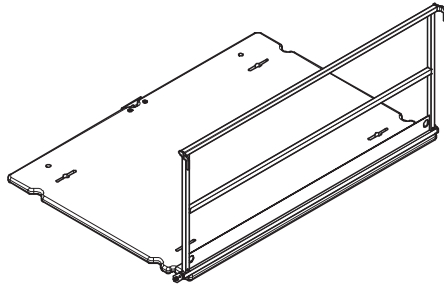
FB 180 Folding Platform System

Article no. Weight kg

026622 113.000

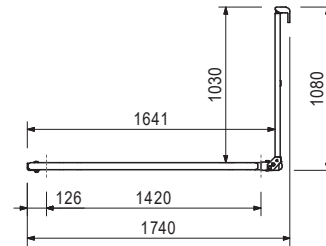
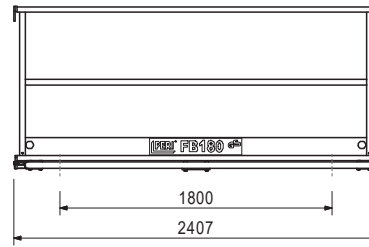
Intermediate Platform FBZ 240

Can be used as intermediate platform, or with accessories as an end platform. With continuous 45-mm-thick platform lining and foldable guardrail frame.



Technical data

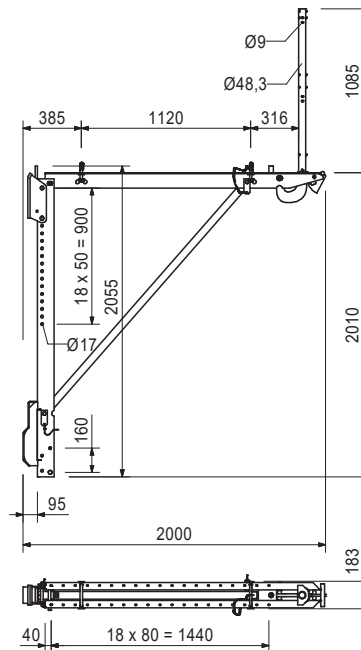
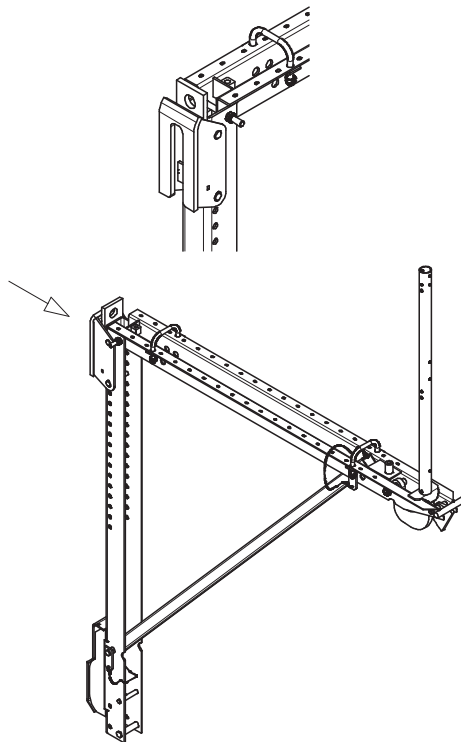
Permissible load 300 kg/m².



026652 81.600

Folding Bracket FB 180 - 3, assy

For assembly of special platforms in connection with Intermediate Platform FBZ as a telescopic end platform.



FB 180 Folding Platform System

Article no. Weight kg

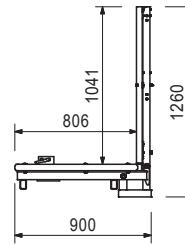
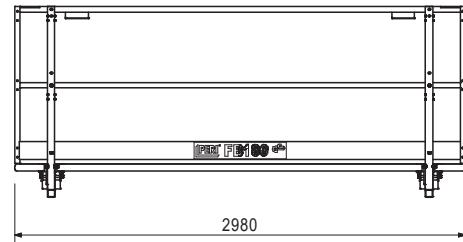
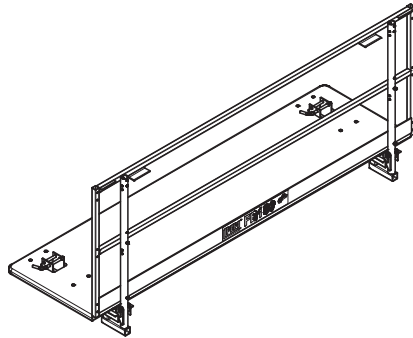
026625 116.000

Finishing Platform FBN-2/300

With continuous 45-mm-thick platform lining and foldable guardrail frame. Fixed to the support extension 200 or 300 FB-2.

Technical data

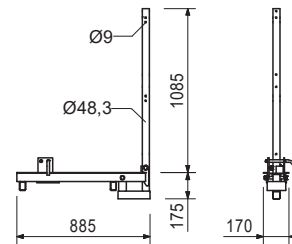
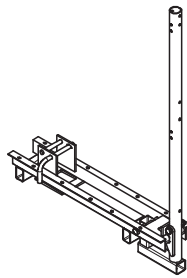
Permissible load 150 kg/m².



026631 16.100

Finishing Platform Bracket FBN-2

For assembly of special finishing platforms.



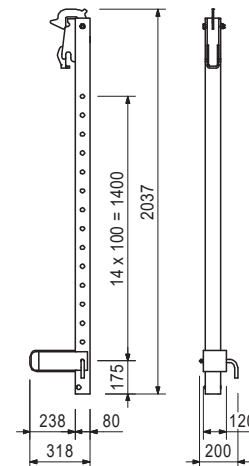
026623 29.800

Support Extension 200 FB-2, galv.

For extending the bottom compression point without using the Compression Strut FB-2.

Note

Adjustable from 0.60 to 2.00 m in 10-cm increments.



FB 180 Folding Platform System



Article no. Weight kg

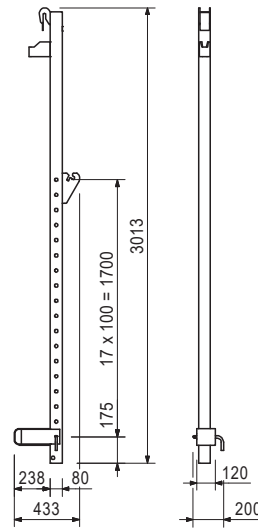
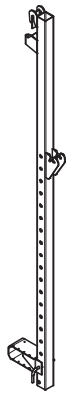
026624 42.300

Support Extension 300 FB-2, galv.

For extending the bottom compression point.
Use only with Compression Strut FB-2, galv.

Note

Adjustable from 1.30 to 3.00 m in 10-cm increments.



Accessories

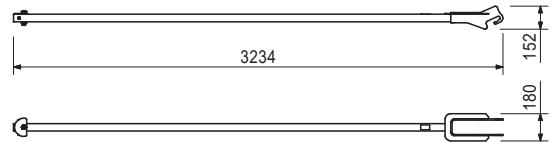
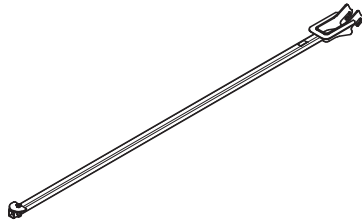
026627 21.200

Compression Strut FB-2

026627 21.200

Compression Strut FB-2

For use with Support Extension 300 FB-2.



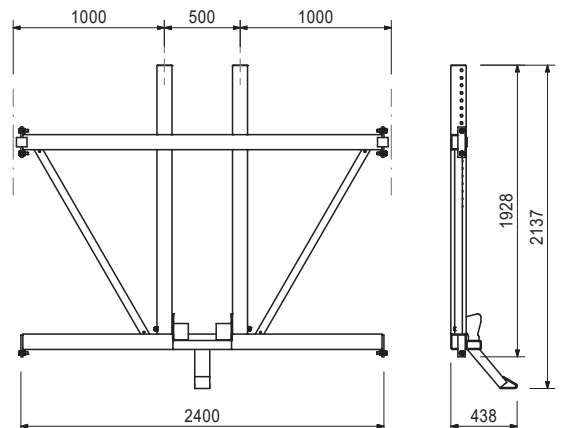
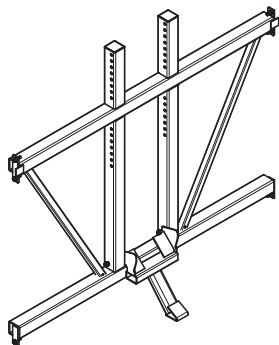
026626 177.000

Corner Platform Frame FBE

For mounting on the Folding Platform FB 180-3/300 when used as a corner platform at the left and right hand ends of buildings.

Complete with

6 pc. 710225 bolt ISO 4017 M16 x 45-8.8, galv.
6 pc. 070890 nut ISO 7040 M16-8, galv.



FB 180 Folding Platform System

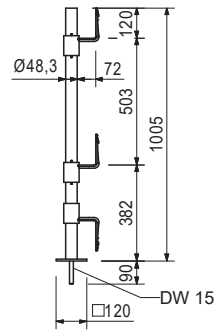


Article no. Weight kg

026628 7.120

End Post FBP

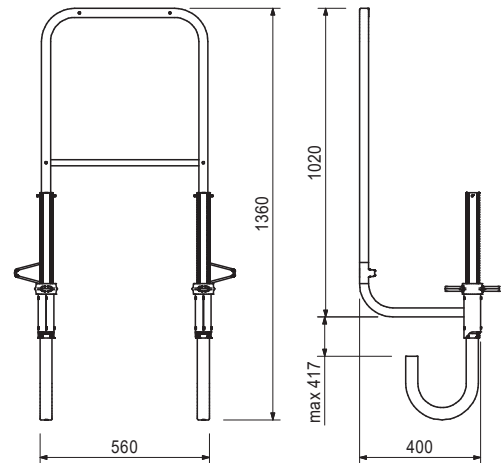
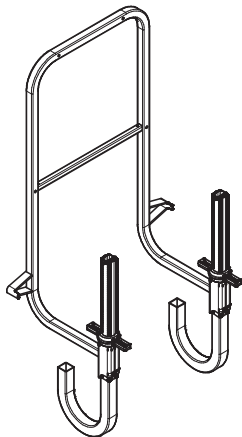
For assembling a lateral guardrail on the FB 180.
Screwed on from above.



065066 14.800

End guardrail 55

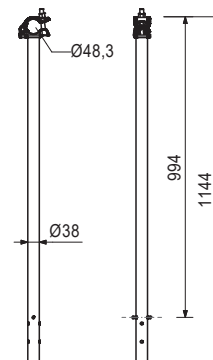
End guardrail for clamping to all PERI scaffold platforms and climbing systems.



026635 3.850

Guardrail extension

For extending guardrails up to $h = 2.00$ m when using the FB 180 as a safety scaffold.



FB 180 Folding Platform System

Article no. Weight kg

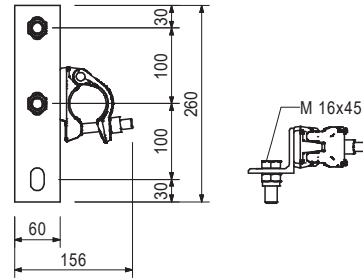
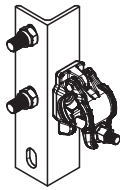
026644 2.490

Scaffold tube connector, galv.

For connecting Scaffold Tubes \varnothing 48.3 mm to Folding Bracket FB 180 on special platforms.

Complete with

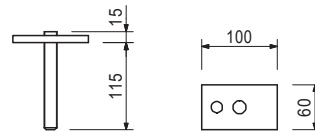
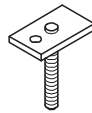
2 pc. 710225 bolt ISO 4017 M16 x 45-8.8, galv.
2 pc. 070890 nut ISO 7040 M16-8, galv.



026647 0.673

Screw Plate DW 15/115, galv.

For fixing and mounting TRP and FB 180 Platforms.



051250 2.790

Tension Belt, L = 5.70 m, 2.5 t

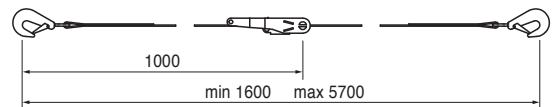
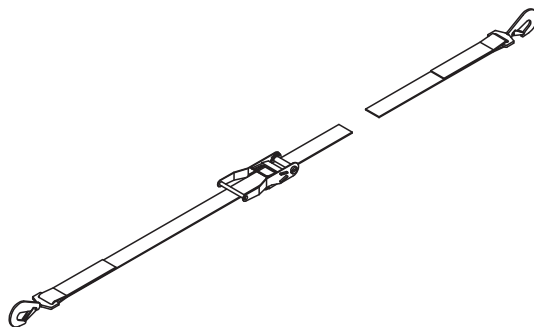
For preventing climbing systems tipping over due to the wind.

Note

Follow relevant Instructions for Assembly and Use for the system.

Technical data

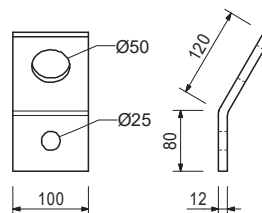
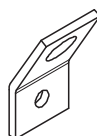
Permissible tensile force 2.5 t.



051270 1.620

Tension Belt Connector Wall M24

Wall connection to prevent tipping over due to wind loads with tension belt for Climbing Systems CB and FB.



026430 0.334

Accessories

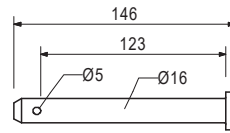
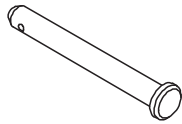
Bolt ISO 4014 M24 x 70-10.9, galv.

FB 180 Folding Platform System

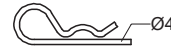


Article no. Weight kg

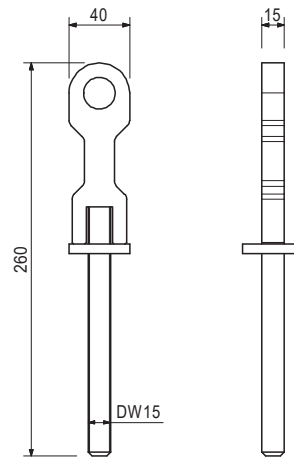
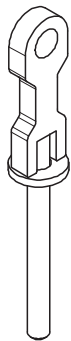
715357 0.238 **Pin Ø 16 x 150, galv.**



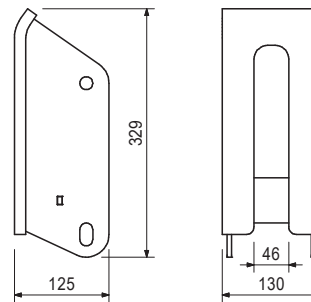
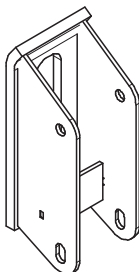
018060 0.014 **Cotter pin 4/1, galv.**



113810 0.621 **Push-Pull Prop Bolt FB**
For fixing the base plates of push-pull props to the Folding Platform FB 180-3.



026632 6.250 **Mounting Head FB, galv.**
For mounting the folding platform on the Suspension Shoe FB or Mounting Ring M24.

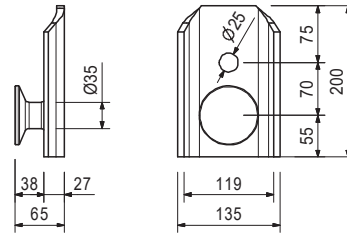


Article no. Weight kg

026990 2.890

Suspension shoe FB

For mounting the Folding Platform FB 180 with Mounting Head FB. Allows mounting point to be moved laterally ± 2.5 mm.



Accessories

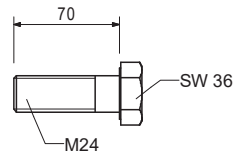
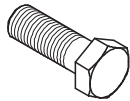
026430 0.334

Bolt ISO 4014 M24 x 70-10.9, galv.

026430 0.334

Bolt ISO 4014 M24 x 70-10.9, galv.

High-strength bolt for anchoring climbing systems.



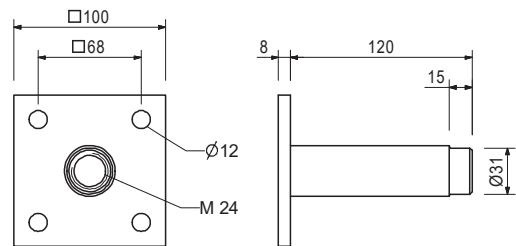
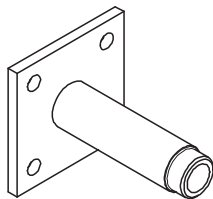
026230 1.010

Tie Sleeve M24

For anchoring of platform systems.

Note

Separate design information on request.



Accessories

026240 0.026

Spacer PP Ø 31/26, c = 25

026250 0.005

Plug PP Ø 26 mm

116233 0.116

Tube FRC Ø32/52, c = 40

026420 0.123

Anchor Positioning Stud M24, galv.

116234 0.033

Plug FRC Ø32

115150 0.200

Anchor Positioning Stud M24 x 65, galv.

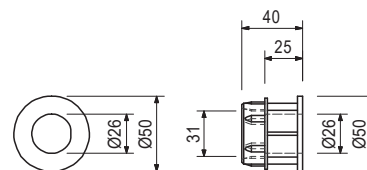
123800 0.045

Threaded cone M24

026240 0.026

Spacer PP Ø 31/26, c = 25

Results in concrete cover of 25 mm in combination with Tie Sleeve M24. Made of polypropylene.

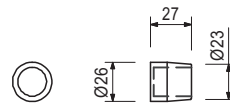


Article no. Weight kg

026250 0.005

Plug PP Ø 26 mm

For closing the Spacer PP Ø 31 for Tie Sleeve M24. Made of polypropylene.



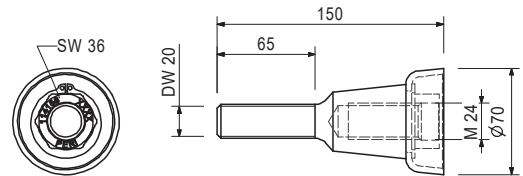
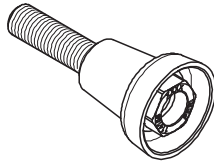
114158 1.030

Screw-On Cone-2 M24/DW 20, galv.

Anchor System M24. For anchoring climbing systems.

Note

Separate design information on request.



Accessories

030860 0.792

Threaded Anchor Plate DW 20

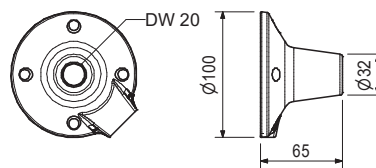
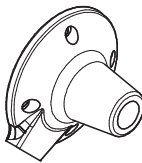
030860 0.792

Threaded Anchor Plate DW 20

For use with Tie Rod DW 20, B 20 or Screw-On Cone-2 M24/DW 20. For anchoring in concrete.

Note

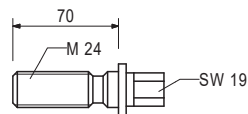
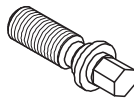
Lost anchor component.



029270 0.331

Positioning Screw M24, galv.

For fixing the Anchor System M24 if the plywood formlining has been drilled through.



Accessories

029280 0.196

Tie Positioning Plate M24, galv.

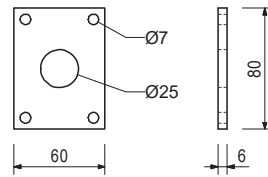
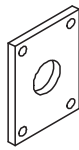
FB 180 Folding Platform System

Article no. Weight kg

029280 0.196

Tie Positioning Plate M24, galv.

For fixing the Anchor System M24 if the plywood formlining has been drilled through.



Accessories

029440 0.005

Hex. Wood screw DIN 571 6 x 20, galv.

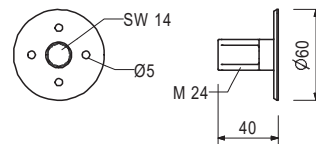
026420 0.123

Anchor Positioning Stud M24, galv.

For fixing Anchor System M24 if the plywood formlining is not to be drilled through.

Note

Allen key SW 14.



Accessories

027212 0.445

Hex. Pin Wrench SW 14, long

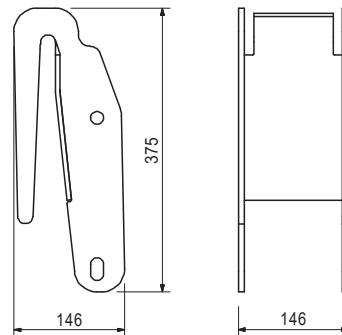
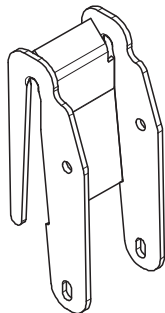
710312 0.005

Wire nail 3 x 80

026645 5.460

Loop Mounting Head-2 FB

For mounting the Folding Platform FB 180 on anchor loops.



026636 1.140

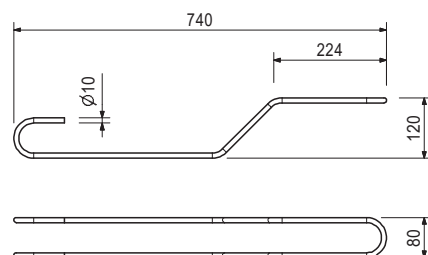
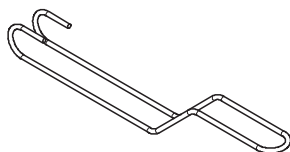
Anchor loop

For anchoring of platform systems.

Note

Always use in pairs.

Separate design information on request.

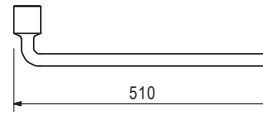
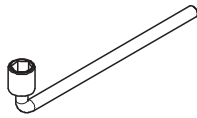


Article no. Weight kg

031f480 2.460

Socket wrench AF 36, chrome-plated

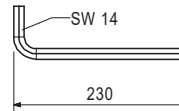
For various applications.



027212 0.445

Hex. Pin Wrench SW 14, long

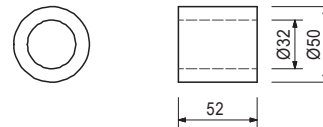
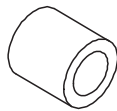
Fits PERI Positioning Discs and Allen Key Bolts M16.



116233 0.116

Tube FRC Ø 32/52, c = 40

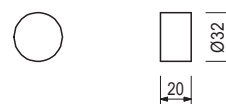
Results in concrete cover of 40 mm in combination with Tie Sleeve M24. Made of fibre-reinforced concrete.



116234 0.033

Plug FRC Ø 32 mm

For closing the FRC Tube Ø 32 mm. Made of fibre-reinforced concrete.



Accessories

031550 1.000

Repoخال adhesive, 2 components, 1 kg

030030 1.440

Tie Rod DW 15

030050 0.000

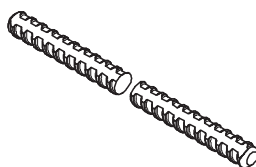
Tie Rod DW 15, special length Cutting costs DW 15, B 15

Note

Non-weldable! Observe the permissions!

Technical data

Permissible tension force 90 kN.



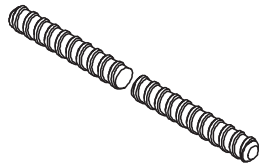
FB 180 Folding Platform System

Article no. Weight kg

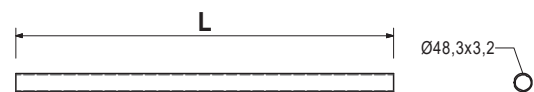
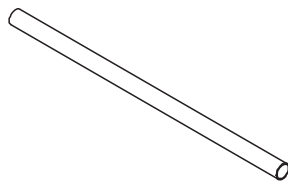
| | | |
|--------|-------|---|
| | | Tie Rod B 15 |
| 030740 | 1.550 | Tie Rod B 15, special length |
| 030050 | 0.000 | Cutting cost Tie Rod DW 15, B 15 |

Note
Weldable! Observe the permissions!

Technical data
Permissible tension force 82 kN.

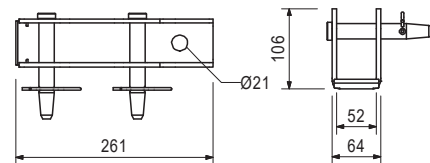
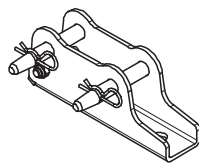


| | | |
|--------|-------|---|
| 026415 | 3.550 | Steel scaffold tube Ø 48.3 x 3.2, special length |
|--------|-------|---|



| | | |
|--------|-------|--|
| 117343 | 3.250 | Base Plate-2 for RS 210– 1400, galv. For assembling the RS 210, RS 260, RS 300, RS 450, RS 650, RS 1000 and RS 1400 push-pull props. |
|--------|-------|--|

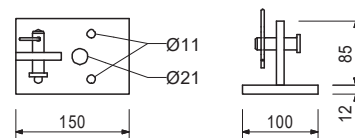
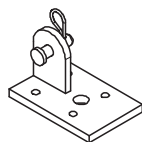
Complete with
2 pc. 105400 bolt Ø 20 x 140, galv.
2 pc. 018060 cotter pin 4/1, galv.



| | | |
|--------|-------|---|
| 124777 | 0.210 | Accessories Tie Bolt PERI 14/20 x 130 |
|--------|-------|---|

| | | |
|--------|-------|---|
| 106000 | 1.820 | Base Plate-2 for RSS, galv. For assembling RSS Push-pull Props. |
|--------|-------|---|

Complete with
1 pc. 027170 bolt Ø 16 x 42, galv.
1 pc. 018060 cotter pin 4/1, galv.



| | | |
|--------|-------|---|
| 124777 | 0.210 | Accessories Tie Bolt PERI 14/20 x 130 |
|--------|-------|---|

Article no. Weight kg

030370 1.660

Wingnut Pivot Plate DW 15, galv.

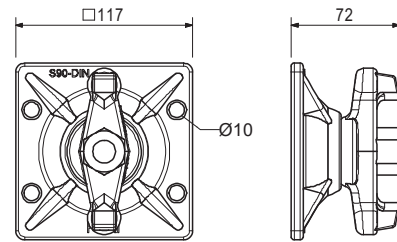
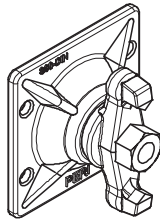
For anchoring with Tie Rod DW 15 and B 15.
With articulated, captive nut. Maximum inclination of anchor: 8°.

Note

Width across flats AF 27.

Technical data

Permissible load 90 kN.



023551

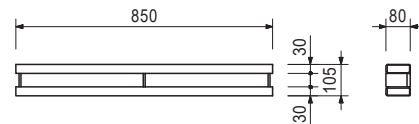
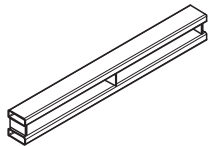
8.520

Ledger 85

Equivalent to Compensation Waler TAR 85, but without mounting hooks.

Technical data

Permissible bending moment 4.4 kNm.



028080

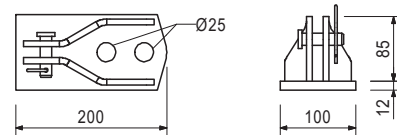
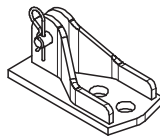
2.970

Connector Plate AV/Push-Pull Prop

For connecting push-pull props and kicker braces to the Main Beam HDT.

Complete with

1 pc. 018060 cotter pin 4/1, galv.
1 pc. 027170 bolt \varnothing 16 x 42, galv.



030070

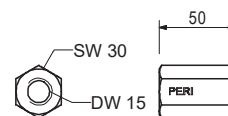
0.222

Hex. Nut DW 15 AF 30/50, galv.

For anchoring with Tie Rod DW 15 and B 15.

Technical data

Permissible load 90 kN.

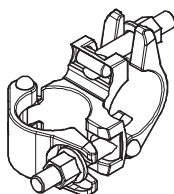
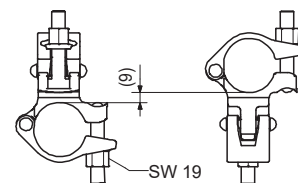


017020

1.120

Standard Coupler RA 48/48, galv.

For scaffold tubes \varnothing 48 mm.



The optimal system
for all projects and every
requirement



Wall formwork



Column formwork



Slab formwork



Climbing systems



Bridge formwork



Tunnel formwork



Shoring



Working scaffolds construction



Facade working scaffold



Working scaffolds industry



Means of access



Safety scaffolds



Safety systems



System-independent accessories



Services



PERI AG
Formwork Scaffolding Engineering
Rudolf-Diesel-Strasse 19
89264 Weissenhorn
Germany
Telephone +49 (0)7309.950-0
Fax +49 (0)7309.951-0
info@peri.com
www.peri.com

