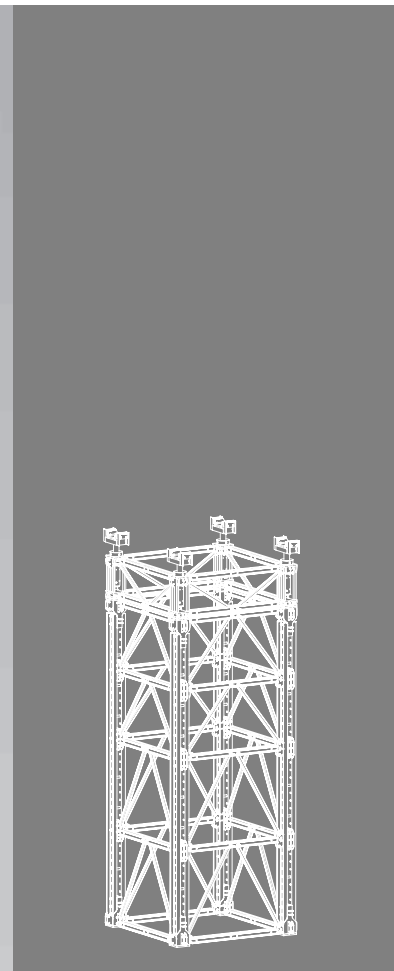
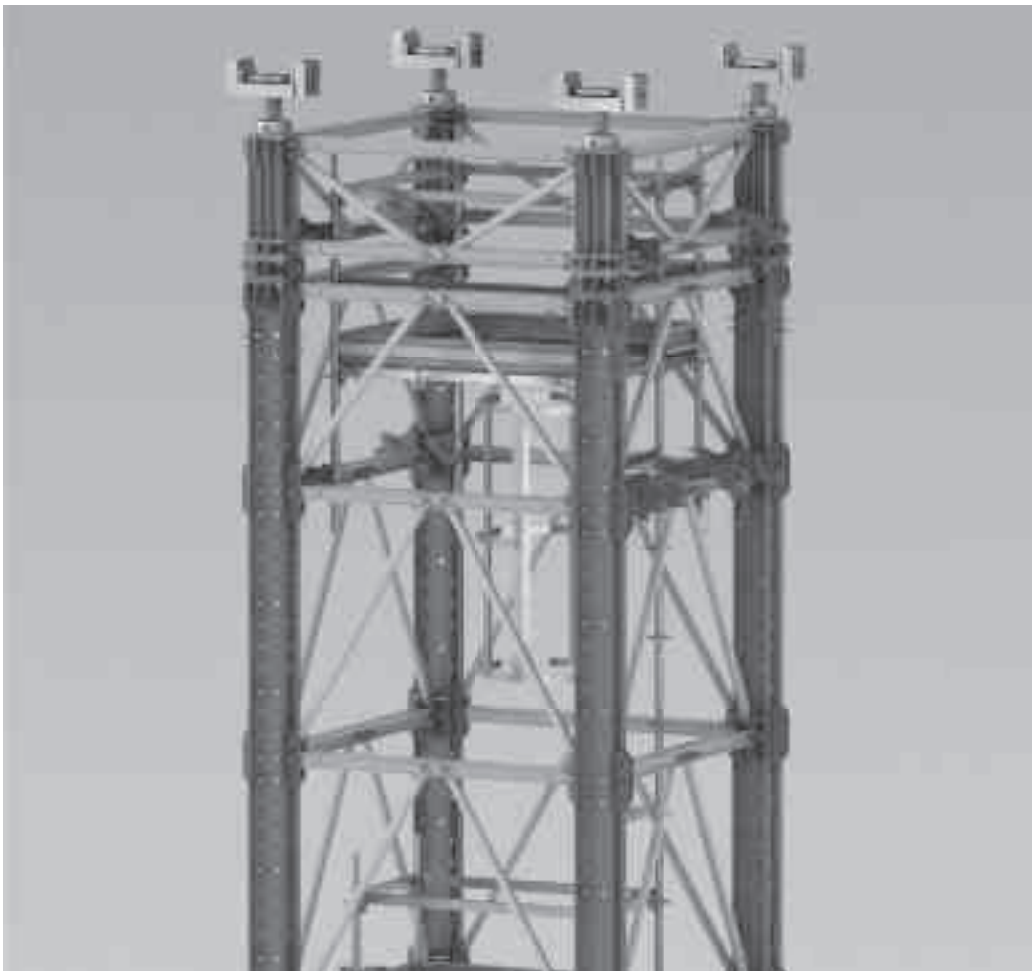


VST Heavy-Duty Shoring Tower

Instructions for Assembly and Use – Standard Configuration



Overview

| | |
|--------------------------|---|
| Main components | 1 |
| Key | 2 |
| Presentational reference | 2 |

Introduction

| | |
|---|---|
| Target groups | 3 |
| Additional technical documentation intended use | 3 |
| Instructions for Use | 4 |
| Cleaning and maintenance instructions | 4 |

Safety instructions

| | |
|----------------------------|---|
| Cross-system | 6 |
| System-specific | 7 |
| Storage and transportation | 7 |

VST Heavy-Duty Shoring Tower

| | | |
|-----|---|----|
| A1 | Module overview | |
| | Overview of Module VST | 8 |
| | Arrangement of the Bracing | |
| | Connectors VST | 9 |
| | Module VST components | 10 |
| | Additional components | 11 |
| A2 | Module VST 125 | 12 |
| A3 | Module VST 175 | 13 |
| A4 | Module VST 275 | 14 |
| A5 | Module VST 375 | 15 |
| A6 | Module VST 525 | 16 |
| A7 | Module VST 775 | 17 |
| A8 | Module VST 1025 | 18 |
| A9 | Head Spindle Frame VST | 19 |
| A10 | Head Spindle VST 100 | 20 |
| A11 | VST Tower Configuration 1 | 21 |
| A12 | VST Tower Configuration 2 | 22 |
| A13 | VST Tower Configuration 3 | 23 |
| A14 | VST Tower Configuration 4 | 24 |
| A15 | Arrangement of the Height Adjusts | 25 |
| A16 | Assembly of two Cross Connectors VST on the RCS / Bracing Connector VST | 26 |
| A17 | Connecting Adapter VST-SRU | 27 |
| A18 | VST Module with working platform | 28 |
| A19 | VST Module with additional legs | 30 |
| A20 | Hydraulic Unit VST | 31 |

Assembly

| | | |
|----|---|----|
| B1 | Operating states and loads | |
| | Operating state: mounting | 32 |
| | Operating state: lowering and dismantling | 32 |
| B2 | Assembly of the VST Leg | |
| | Preparation of the RCS Rail | 33 |
| | Preparation of the Prop Base VST 48 | 33 |
| | Preparation of the Prop Connector VST 48 | 33 |
| | Prop Connector VST 48 | 34 |
| | Prop Base VST 48 | 35 |
| | Bracing Connector VST | 36 |
| | Cross Connector VST | 37 |
| B3 | Module Assembly | |
| | Horizontal Ledger VST 200 | 38 |
| | Diagonal Strut VST | 39 |
| B4 | Head Spindle Frame | |
| | Mounting the Head Spindle Frame | 40 |
| | Adjusting the spacer plates of the Head Spindle VST 100 | 42 |
| B5 | Pre-assembly of the tower segments | |
| | Tower assembly with VST components | 43 |
| | Tower assembly with SLS Spindles | 46 |
| B6 | Working platform | 49 |

Assembly

| | | |
|----|--|----|
| C1 | Erecting the tower with VST components | 51 |
| C2 | Erection of a single module | 53 |
| C3 | Anchoring | 57 |

Application

| | | |
|----|--|----|
| D1 | Height adjustment (± 140 mm) | |
| | Manual adjustment | 58 |
| | Adjustment with the hydraulic cylinder | 59 |
| D2 | Lowering procedure | 60 |

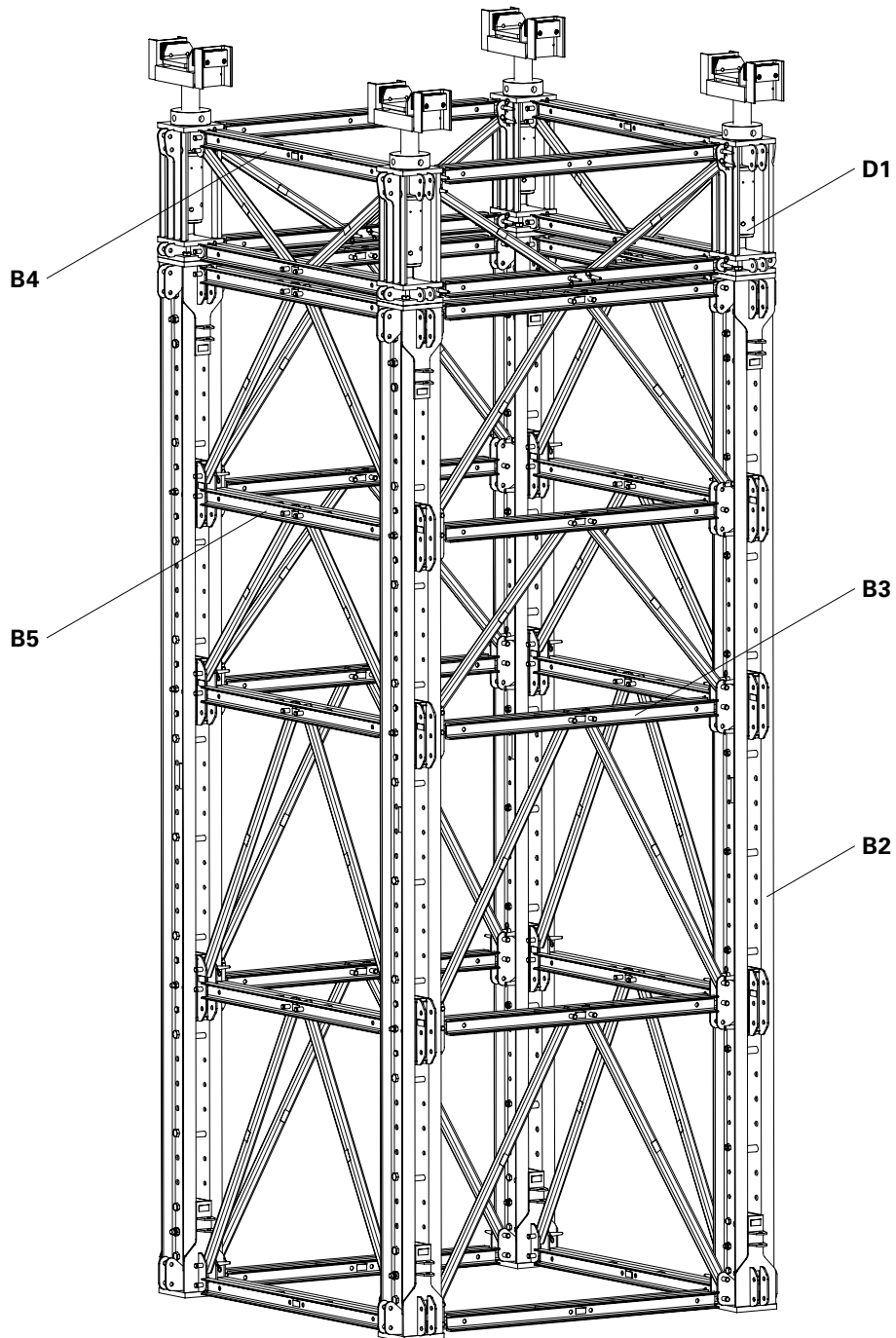
Dismantling

| | | |
|----|---------------------------|----|
| E1 | Dismantling | |
| | Preparation of the towers | 61 |
| | Module preparation | 62 |
| | Dismantling the tower | 63 |
| | Dismantling the module | 63 |

Work preparation

| | | |
|----|--|----|
| F1 | Pre-dimensioning of the permissible leg load at the head | 64 |
| F2 | Load-bearing capacities | 65 |
| F3 | Moving the module | |
| | Without Head Spindle Frame | 66 |
| | With Head Spindle Frame | 67 |
| F4 | Moving the towers | |
| | Without Head Spindle Frame | 68 |
| | With Head Spindle Frame | 69 |
| F5 | Combination Table 225 – 987.5 cm | 70 |
| F6 | Combination Table 1000 – 1987.5 cm | 72 |
| F7 | Combination Table 2000 – 2987.5 cm | 74 |
| F8 | Combination Table 3000 – 4000 cm | 76 |


Main components




- B2 Assembly of the VST Leg
- B3 Module Assembly
- B4 Head Spindle Frame
- B5 Tower Assembly
- D1 Height Adjustment Head Spindle VST (+/- 140 mm)


Key

Pictogram | Definition


 Safety instructions


 Note

 Load-bearing point

 Visual check

 Tip

 Misapplication

 Correct application

Dimension specifications

Dimensions are usually given in cm. Other units of measure, e.g. m, are shown in the illustrations.

Conventions

- Instructions are numbered with:
1., 2., 3.
- The result of an instruction is shown by: →
- Position numbers are clearly provided for the individual components and are given in the drawing, e.g. **1**, in the text in brackets, for example (1).
- Multiple position numbers, i.e. alternative components, are represented with a slash, e.g. **1 / 2**.

Arrows

→ Arrow representing an action.

Presentational reference

The illustration on the front cover of these instructions is understood to be a system representation only. The assembly steps presented in these Instructions for Assembly and Use are shown in the form of examples with only one component size. They are valid accordingly for all component sizes contained in the standard configuration.

For a better understanding, detailed illustrations are partly incomplete. The safety installations which have possibly not been featured in these detailed drawings must nevertheless still be available.

Target groups

Contractors

These Instructions for Assembly and Use are designed for contractors who use the scaffolding either for

- assembling, modifying and dismantling operations, or
- use it e.g. for concreting or, x
- who have it used, e.g. for forming operations.

Construction site coordinator

The Safety and Health Coordinator*

- is appointed by the client,
- must identify potential hazards during the planning phase,
- determines measures that provide protection against risks,
- creates a safety and health plan,
- coordinates the protective measures for the contractor and site personnel so that they do not endanger each other,
- monitors compliance with the protective measures.

Competent personnel

Due to the specialist knowledge gained from professional training, work experience and recent professional activity, the competent person has a reliable understanding of safety-related issues and can correctly carry out inspections. Depending on the complexity of the test to be undertaken, e.g. scope of testing, type of testing or the use of a certain measuring device, a range of specialist knowledge is necessary.

Qualified specialists

The scaffolding may only be assembled, modified or dismantled by personnel who are suitably qualified to do so. For the work to be carried out, the qualified specialists must have received instructions** which contain at least the following points:

- Explanation of the plan for the assembly, modification or dismantling of the scaffolding in an understandable form and language.
- Description of measures in order to safely assemble, modify or dismantle the scaffolding.
- Designation of the preventive measures to avoid the risk of persons and objects falling.

- Designation of the safety precautions in the event of changing weather conditions which could adversely affect the safety of the scaffolding as well as the personnel concerned.
- Details regarding the permissible loads.
- Description of any other risks that are associated with the assembly, modification or dismantling procedures.



- **In other countries, ensure that the relevant national guidelines and regulations in the respective current version are complied with!**
- **If no country-specific regulations are available, it is recommended to proceed according to German rules and regulations.**

* Valid in Germany: Regulations for Occupational Health and Safety on Construction Sites 30 (RAB 30).

** Instructions are given by the contractor himself or a qualified person selected by him.

Additional technical documentation

- Instructions for Assembly and Use
 - PERI UP Rosett 72
- Instructions for Use
 - Pallets and Stacking Devices
 - Hydraulic Head Spindle Device VST
- Brochure
 - VARIOKIT Engineering Construction Kit

Intended use

Product description

PERI products have been designed for exclusive use in the industrial and commercial sectors by qualified personnel only.

The VST Heavy-Duty Shoring Tower can transfer high loads from the formwork, for in-situ concrete bridges and all temporary support constructions for structural components.

The system can be used for all types of supporting structures, with a permissible leg load of up to 700 kN (height-dependent).

Through the use of the Hydraulic Head Spindle Device VST, the system allows adjustment of the head spindle under full load.

The VST Heavy-Duty Shoring Tower is a standard system which offers the possibility to support bridge formwork on girders or truss girders, prefabricated elements and other temporary load situations.

Features

Main components are standardized PERI components taken from the VARIOKIT Engineering Construction Kit.

The base of the structure is formed by two parallel legs consisting of RCS Climbing Rails which are connected to each other by means of Horizontal Ledgers VST 200 and Diagonal Struts VST at a centre distance of 2 m.

The Climbing Rail RCS is additionally braced between the U-profiles with Bracing Connectors VST at a distance of max. 1.5 m upwards in order to increase the bending stiffness in the weak axis.

The connection in the longitudinal direction of the module is carried out with the Prop Base VST 48 and Prop Connector VST 48.

The module can be configured with Horizontal Ledgers VST 200 and Diagonal Struts VST to form a tower.

The flexible adaptation for achieving the required height can be carried out using Modules VST 125 to VST 1025 in increments of 25 cm (see Section F Work Preparation).

Fine adjustment of ± 140 mm is possible with the Head Spindle VST.

System dimensions

Axis dimension of the standard configuration.

- 2 m x 2 m
- Height: continuously adjustable for other configurations, see Section A12 to A15.

Permissible load-bearing capacity

- Up to 700 kN (height-dependent) per leg.

Instructions for Use

The use in a way not intended, deviating from the standard configuration or the intended use according to the Instructions for Assembly and Use, represents a misapplication with a potential safety risk, e.g. risk of falling.

Only PERI original components may be used. The use of other products and spare parts is not allowed.

Changes to PERI components are not permitted.

Cleaning and maintenance instructions

In order to maintain the value and operational readiness of the PERI products over the long term, clean the elements after each use.

Some repair work may also be inevitable due to the tough working conditions. The following points should help to keep cleaning and maintenance costs as low as possible.

Do not clean powder-coated or galvanized components with steel brushes or metal scrapers.

Mechanical components, e.g. spindles, must be cleaned of dirt or concrete residue before and after use, and then greased with a suitable lubricant.

Provide suitable support for the components during cleaning so that no unintentional change in their position is possible.

Do not clean components suspended on a crane.

Any repairs to PERI products are to be carried out by qualified PERI personnel only.

Cross-system

General

The contractor must ensure that the Instructions for Assembly and Use supplied by PERI are available at all times and are understood by the site personnel.

These Instructions for Assembly and Use can be used as the basis for creating a risk assessment. The risk assessment is compiled by the contractor. These Instructions for Assembly and Use do not replace the risk assessment!

Always take into consideration and comply with the safety instructions and permissible loads.

For the application and inspection of PERI products, the current safety regulations and guidelines must be observed in the respective countries where they are being used.

Materials and working areas are to be inspected on a regular basis especially before each use and assembly for:

- signs of damage,
- stability and
- function.

Damaged components must be exchanged immediately on site and may no longer be used.

Safety components are to be removed only when they are no longer required.

Components provided by the contractor must conform with the characteristics required in these Instructions for Assembly and Use as well as all valid construction guidelines and standards. Unless otherwise indicated, this applies in particular to:

- Timber components: Strength Class C24 for Solid Wood according to EN 338.
- Scaffold tubes: galvanised steel tubes with minimum dimensions of Ø 48.3 x 3.2 mm according to EN 12811-1:2003 4.2.1.2.
- Scaffold tube couplings according to EN 74.

Deviations from the standard configuration are only permitted after a further risk assessment has been carried out by the contractor.

On the basis of this risk assessment, appropriate measures for working and operational safety as well as stability are to be determined.

Corresponding proof of stability can be provided by PERI on request if the risk assessment and resulting measures to be implemented are available.

Before and after exceptional occurrences that may have an adverse effect regarding the safety of the formwork system, the contractor must immediately

- create an additional risk assessment, with appropriate measures for ensuring the stability of the scaffolding system being carried out based on the results,
- and arrange for an extraordinary inspection by a competent person. The aim of this inspection is to identify and rectify any damage in good time in order to guarantee the safe use of the scaffolding system.

Exceptional occurrences can include:

- accidents,
- longer periods of non-use,
- natural events, e.g. heavy rainfall, icing, heavy snowfall, storms or earthquakes.

Assembly, modification and dismantling work

Assembly, modification or dismantling of scaffolds may only be carried out by qualified specialists under the supervision of a competent person. The qualified specialists must have received appropriate training for the work to be carried out with regard to specific risks and dangers.

On the basis of the risk assessment and Instructions for Assembly and Use, the contractor must create installation instructions in order to ensure safe assembly, modification and dismantling of the scaffolding system.

Before initial use, the safe functioning of the scaffold must be checked by a competent person. The result of the inspection must be documented in an inspection record.

The contractor must ensure that the personal protective equipment required for the assembly, modification or dismantling of the system, e.g.

- safety helmet,
 - safety shoes,
 - safety gloves,
 - safety glasses,
- is available and used as intended.

If personal protective equipment against falling (PPE) is required or specified in local regulations, the contractor must determine appropriate attachment points on the basis of the risk assessment.

The personal protective equipment against falling to be used is determined by the contractor.

The contractor must

- provide safe working areas for site personnel which are to be reached through the provision of safe access ways. Areas of risk must be cordoned off and clearly marked.
- ensure the stability during all stages of construction, in particular during assembly, modification and dismantling of the formwork.
- ensure and prove that all loads are safely transferred.

Utilization

Every contractor who uses or allows the scaffolding system or sections of the scaffolding system to be used, has the responsibility for ensuring that the equipment is in good condition.

If the scaffolding system is used successively or at the same time by several contractors, the health and safety coordinator must point out any possible mutual hazards, and all work must be then coordinated.

System-specific

The components are to be inspected for signs of damage by authorised personnel at regular intervals.

Dirt which affects the functionality is to be removed immediately.

Damaged components are to be inspected, sorted out and replaced.

For information regarding the maintenance of the Hydraulic Head Spindle Device VST, see Instructions for Use.



Detailed project-specific static proof as well as planning is required for each time of use.

In addition, project-specific lifting and lowering plans are to be created.

Lifting or lowering operations are only to be performed when a competent person has given the go-ahead and the upper construction has sufficient load-bearing capacity.

All screw connections are to be secured with suitable nuts.

All fitting pin connections are to be secured with cotter pins.

Storage and transportation

Store and transport components ensuring that no unintentional change in their position is possible. Detach lifting accessories and slings from the lowered components only if they are in a stable position and no unintentional change is possible.

Do not throw off the components.

Use PERI load-bearing devices and lifting gear as well as only those load-bearing points provided on the component.

During the moving procedure,

- ensure that components are picked up and set down so that unintentional falling over, falling apart, sliding, falling down or rolling is avoided.
- no persons are allowed to remain under the suspended load.

Pre-assembled modules and towers are guided with ropes when moving them by crane.

The access areas on the jobsite must be free of obstacles and tripping hazards as well as being slip-resistant.

For transportation, the surface must have sufficient load-bearing capacity.

Use original PERI storage and transport systems, e.g. crate pallets, pallets or stacking devices.

Overview of Module VST

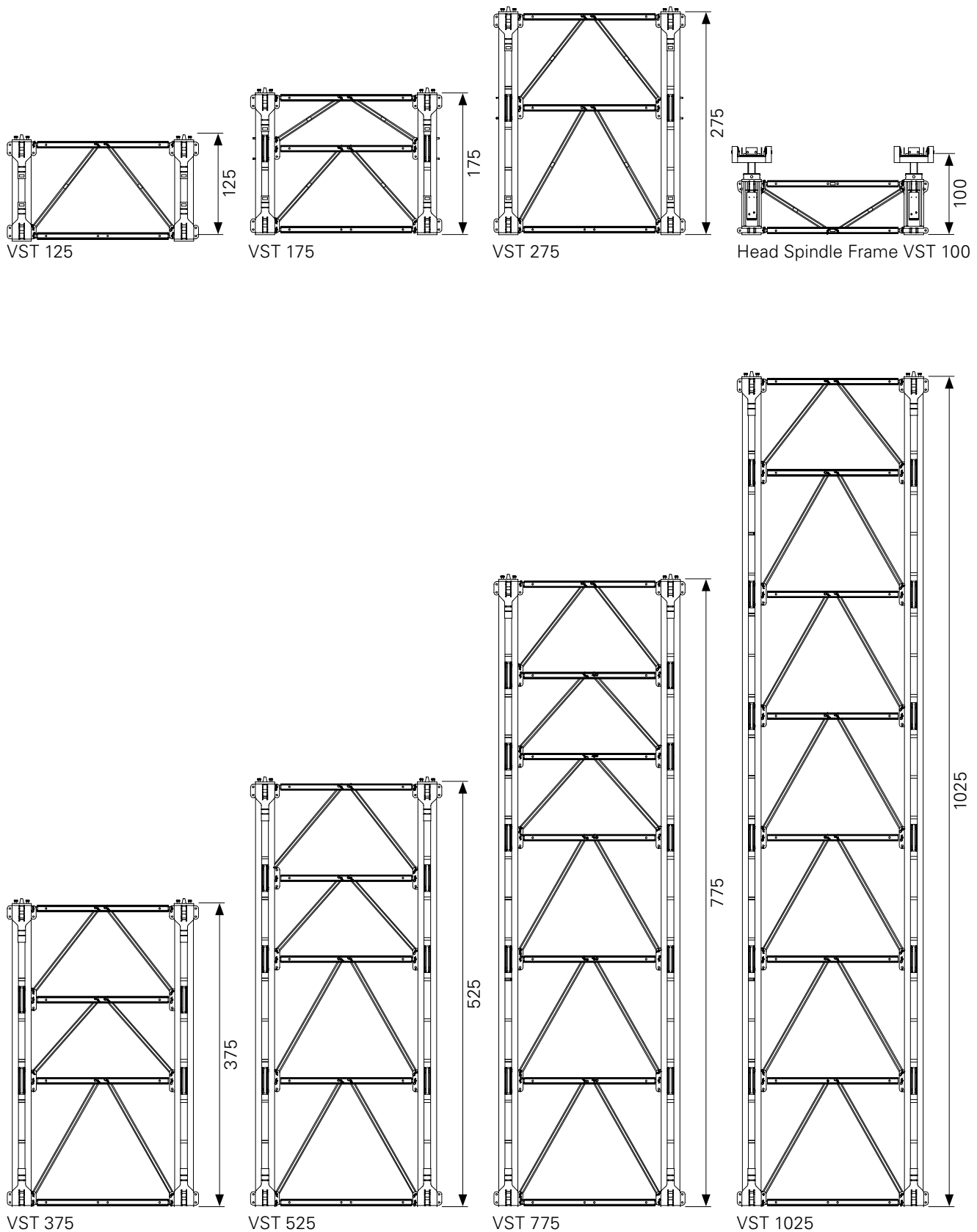


Fig. A1.01

Arrangement of the Bracing Connectors VST



Observe the assembly position of the Prop Base VST and Prop Connector VST.
(see Section B2)

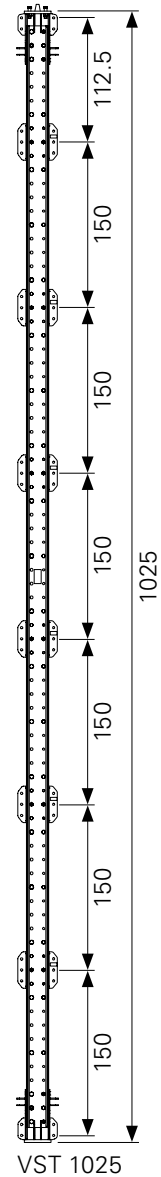
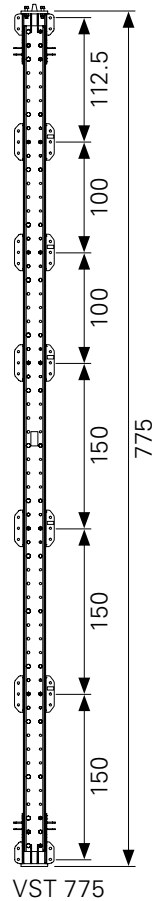
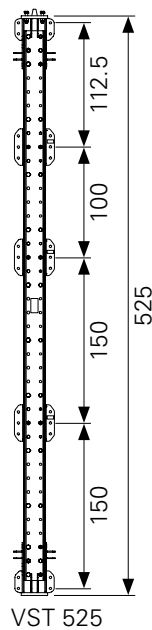
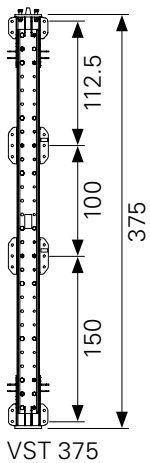
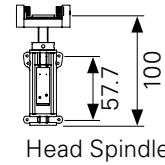
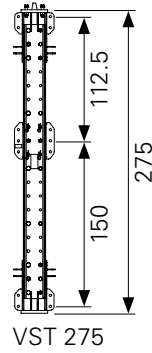
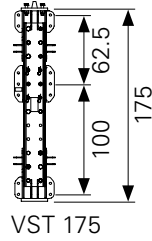
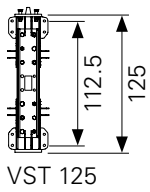


Fig. A1.02

VST Heavy-Duty Shoring Tower

Instructions for Assembly and Use – Standard Configuration

Module VST components

| | Name | Item no. |
|---|------------------------------------|----------|
| VST Legs consist of | | |
| 1 | Climbing Rail Profile RCS 98 | 117585 |
| 2 | Climbing Rail RCS 148 | 114166 |
| 3 | Climbing Rail RCS 248 | 109469 |
| 4 | Climbing Rail RCS 348 | 109470 |
| 5 | Climbing Rail RCS 498 | 109471 |
| 6 | Climbing Rail RCS 748 | 109472 |
| 7 | Climbing Rail RCS 998 | 109610 |
| The VST module consists of 2 VST Legs plus | | |
| 8 | Bracing Connector VST | 117411 |
| 9 | Fitting Pin Ø 21 x 120 | 104031 |
| 10 | Cotter Pin 4/1, galv. | 018060 |
| 11 | Fitting Pin Ø 26 x 120 | 111567 |
| 12 | Cotter Pin 5/1, galv. | 022230 |
| 13 | Cross Connector VST | 117425 |
| 14 | Bolt ISO 4014 M20 x 120-8.8, galv. | 113994 |
| 15 | Nut ISO 7042 M20-8, galv. | 781053 |
| 16 | Sleeve VST, galv. | 117492 |
| 17 | Prop Base VST 48 | 117453 |
| 18 | Bolt ISO 4014 M30 x 130-10.9 | 117452 |
| 19 | Bolt ISO 4014 M24 x 140-10.9 | 114563 |
| 20 | Nut ISO 7042 M24-8, galv. | 105032 |
| 21 | Prop Connector VST 48 | 117454 |
| 22 | Bolt ISO 4014 M24 x 80-8.8, galv. | 105416 |
| 23 | Horizontal Ledger VST 200 | 117371 |
| 24 | Diagonal Strut VST 200/150 | 117379 |
| 25 | Diagonal Strut VST 200/100 | 117382 |
| 26 | Diagonal Strut VST 200/112.5 | 117385 |
| 27 | Diagonal Strut VST 200/62.5 | 117388 |

Table A1.01

Additional components

| | Name | Item no. |
|------|---|----------|
| 28 | Head Spindle VST 100 | 117465 |
| 28.1 | Fork Head | |
| 28.2 | Spindle Nut | |
| 28.3 | Spindle Sleeve | |
| 29 | Mounting Shaft VST | 117377 |
| 30 | Heavy-Duty Spindle SLS | |
| 31 | Push-Pull Prop RS 1000, galv. | 028990 |
| 32 | Push-Pull Prop RS 1400, galv. | 103800 |
| 33 | Steel Waler Universal SRU U120 | |
| 34 | Adapter VST-SRU | 123823 |
| 35 | Bolt ISO 4014 M16 x 100-10.9 | Special |
| 36 | Sleeve Ø 21 x 2, L = 29 mm | Special |
| 37 | Cyl. Bolt ISO 4762 M20 x 150-8.8, galv. | 118256 |
| 38 | Connector UP-VST | 117707 |
| 38.1 | Retaining Lug | |
| 39 | Bolt Ø 20 x 140, galv. | 105400 |
| 40 | PERI Wedge K, galv. | 024250 |
| 41 | Leg Connector VST 200/37.5 | 117712 |
| 42 | Horizontal Connector VST 37.5 | 117696 |
| 43 | Hydraulic Unit VST 75 | 117678 |
| 43.1 | Hydraulic Hose | |
| 43.2 | Hand Pump | |
| 43.3 | Manometer | |
| 43.4 | Hydraulic Cylinder | |
| 44 | Height Adjust VST 12.5 | 117391 |
| 45 | Height Adjust VST 25 | 117433 |
| 46.1 | Standard UVR 300 | 100012 |
| 46.2 | Standard UVR 150 | 102860 |
| 47 | Ledger UH 150 | 400021 |
| 48 | Steel Waler SRZ U100 | |
| 49 | Kicker AV | |
| 50 | Tie Rod DW 15 | |
| 51 | Cam Nut DW 15, galv. | 030130 |
| 52 | Wingnut Pivot Plate DW 15, galv. | 030370 |
| 53 | Tie Rod DW 26 | |
| 54 | Counterplate DW 26 | 123825 |
| 55 | Hex. Nut DW 26 SW 46/80, weldable | 030970 |

Table A1.02

Parts list for Module VST 125

| Pos. | Name | Quantity |
|------|------------------------------------|----------|
| 1 | Climbing Rail Profile RCS 98 | 4 |
| 9 | Fitting Pin \varnothing 21 x 120 | 8 |
| 10 | Cotter Pin 4/1, galv. | 8 |
| 15 | Nut ISO 7042 M20-8, galv. | 12 |
| 17 | Prop Base VST | 2 |
| 18 | Bolt ISO 4014 M30 x 130-10.9 | 12 |
| 19 | Bolt ISO 4014 M24 x 140-10.9 | 12 |
| 20 | Nut ISO 7042 M24-8, galv. | 12 |
| 21 | Prop Connector VST 48 | 2 |
| 23 | Horizontal Ledger VST 200 | 2 |
| 26 | Diagonal Strut VST 200/112.5 | 2 |



Connecting means are pre-assembled in the VST components.

The total weight of a Module VST 125 is 370.20 kg.

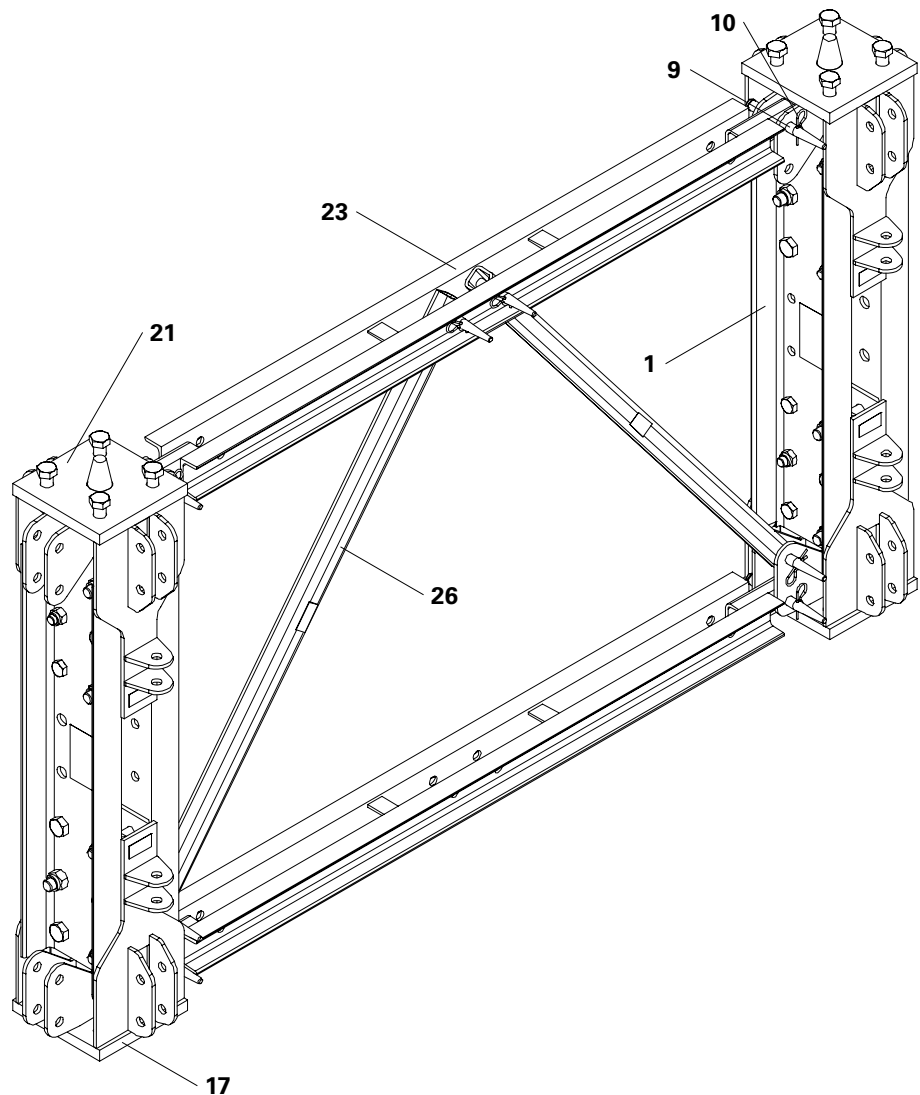


Fig. A2.01

Parts list for Module VST 175

| Pos. | Name | Quantity |
|------|------------------------------------|----------|
| 2 | Climbing Rail RCS 148 | 2 |
| 8 | Bracing Connector VST | 2 |
| 9 | Fitting Pin \varnothing 21 x 120 | 18 |
| 10 | Cotter Pin 4/1, galv. | 18 |
| 11 | Fitting Pin \varnothing 26 x 120 | 4 |
| 12 | Cotter Pin 5/1, galv. | 4 |
| 13 | Cross Connector VST | 2 |
| 14 | Bolt ISO 4014 M20 x 140-8.8 | 4 |
| 15 | Nut ISO 7042 M20-8 | 16 |
| 16 | Sleeve VST | 2 |
| 17 | Prop Base VST | 2 |
| 18 | Bolt ISO 4014 M20 x 130-10.9 | 12 |
| 19 | Bolt ISO 4014 M24 x 140-10.9 | 12 |
| 20 | Nut ISO 7042 M24-8 | 12 |
| 21 | Prop Connector VST 48 | 2 |
| 23 | Horizontal Ledger VST 200 | 3 |
| 25 | Diagonal Strut VST 200/112.5 | 2 |
| 27 | Diagonal Strut VST 200/62.5 | 2 |



Connecting means are pre-assembled in the VST components.

The total weight of a Module VST 175 is 528.44 kg.

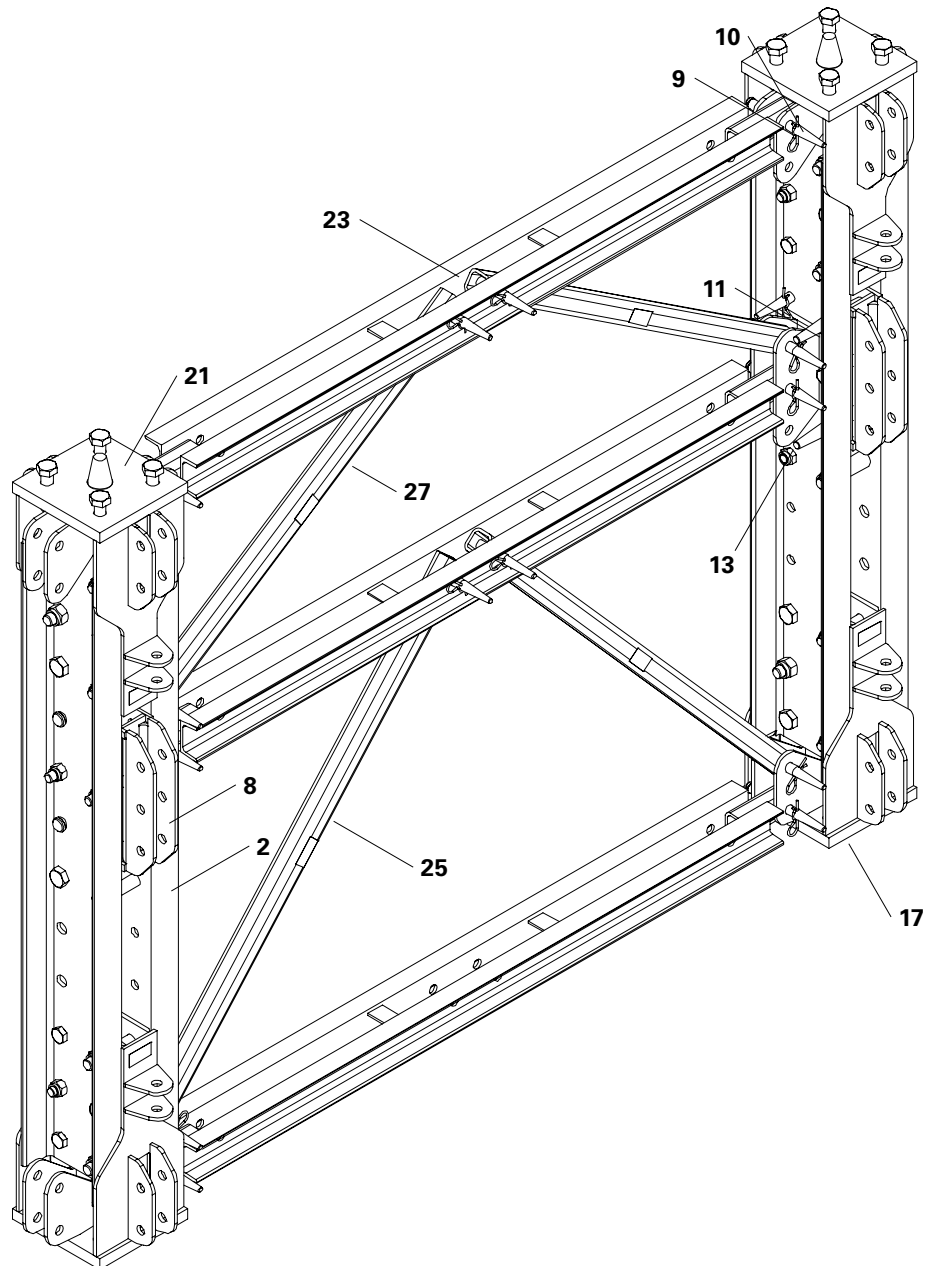


Fig. A3.01

Parts list for Module VST 275

| Pos. | Name | Quantity |
|------|------------------------------------|----------|
| 3 | Climbing Rail RCS 248 | 2 |
| 8 | Bracing Connector VST | 2 |
| 9 | Fitting Pin \varnothing 21 x 120 | 18 |
| 10 | Cotter Pin 4/1, galv. | 18 |
| 11 | Fitting Pin \varnothing 26 x 120 | 4 |
| 12 | Cotter Pin 5/1, galv. | 4 |
| 13 | Cross Connector VST | 2 |
| 14 | Bolt ISO 4014 M20 x 140-8.8 | 4 |
| 15 | Nut ISO 7042 M20-8 | 16 |
| 16 | Sleeve VST | 2 |
| 17 | Prop Base VST | 2 |
| 18 | Bolt ISO 4014 M20 x 130-10.9 | 12 |
| 19 | Bolt ISO 4014 M24 x 140-10.9 | 12 |
| 20 | Nut ISO 7042 M24-8 | 12 |
| 21 | Prop Connector VST 48 | 2 |
| 23 | Horizontal Ledger VST 200 | 3 |
| 24 | Diagonal Strut VST 200/150 | 2 |
| 26 | Diagonal Strut VST 200/112.5 | 2 |



Connecting means are pre-assembled in the VST components.

The total weight of a Module VST 275 is 644.02 kg.

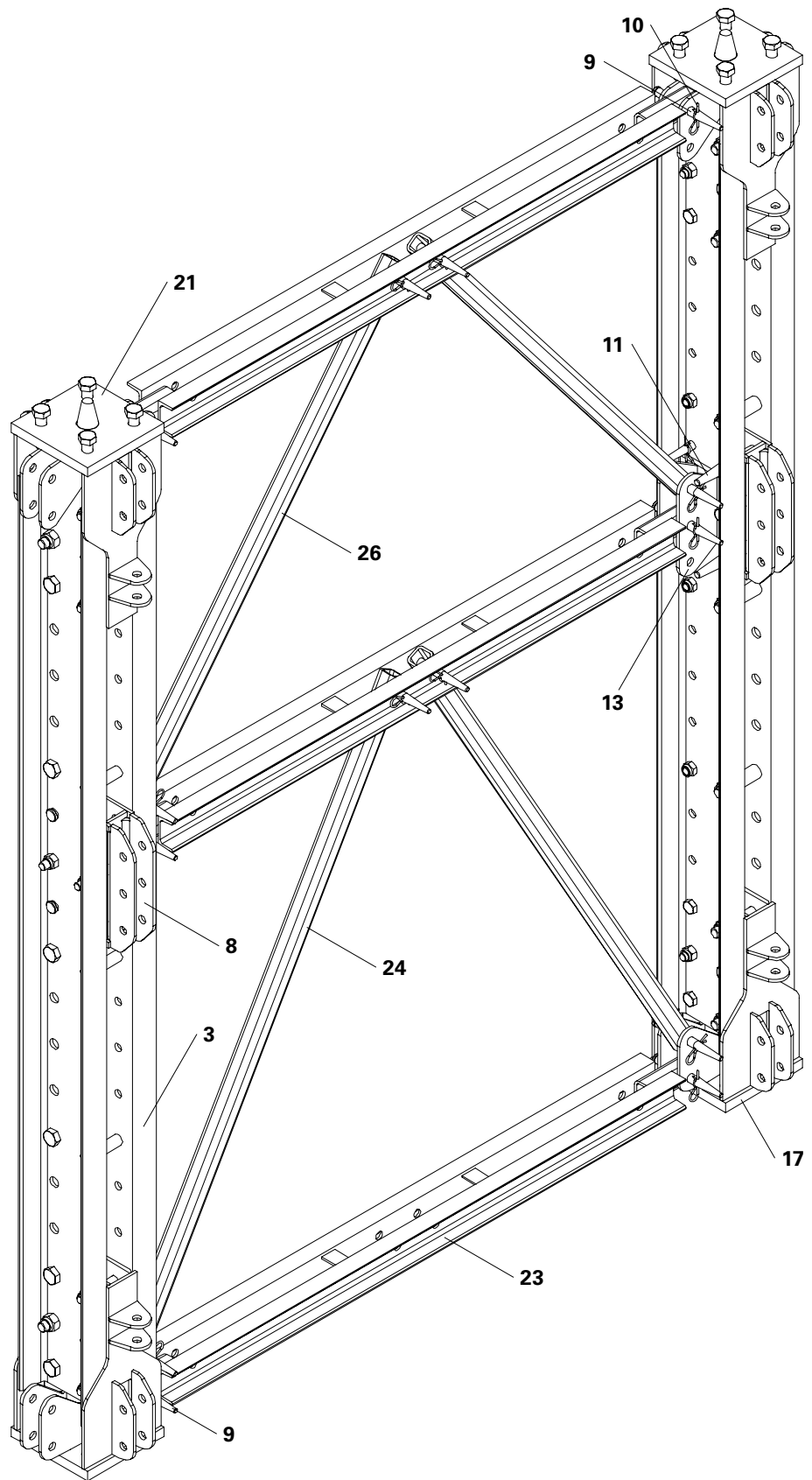


Fig. A4.01

Parts list for Module VST 375

| Pos. | Name | Quantity |
|------|------------------------------------|----------|
| 4 | Climbing Rail RCS 348 | 2 |
| 8 | Bracing Connector VST | 4 |
| 9 | Fitting Pin \varnothing 21 x 120 | 28 |
| 10 | Cotter Pin 4/1, galv. | 28 |
| 11 | Fitting Pin \varnothing 26 x 120 | 8 |
| 12 | Cotter Pin 5/1, galv. | 8 |
| 13 | Cross Connector VST | 4 |
| 14 | Bolt ISO 4014 M20 x 120-8.8 | 8 |
| 15 | Nut ISO 7042 M20-8 | 20 |
| 16 | Sleeve VST | 4 |
| 17 | Prop Base VST | 2 |
| 18 | Bolt ISO 4014 M20 x 130-10.9 | 12 |
| 19 | Bolt ISO 4014 M24 x 140-10.9 | 12 |
| 20 | Nut ISO 7042 M24-8 | 12 |
| 21 | Prop Connector VST 48 | 2 |
| 23 | Horizontal Ledger VST 200 | 4 |
| 24 | Diagonal Strut VST 200/150 | 2 |
| 25 | Diagonal Strut VST 200/100 | 2 |
| 26 | Diagonal Strut VST 200/112.5 | 2 |



Connecting means are pre-assembled in the VST components.

The total weight of a Module VST 375 is 852.64 kg.

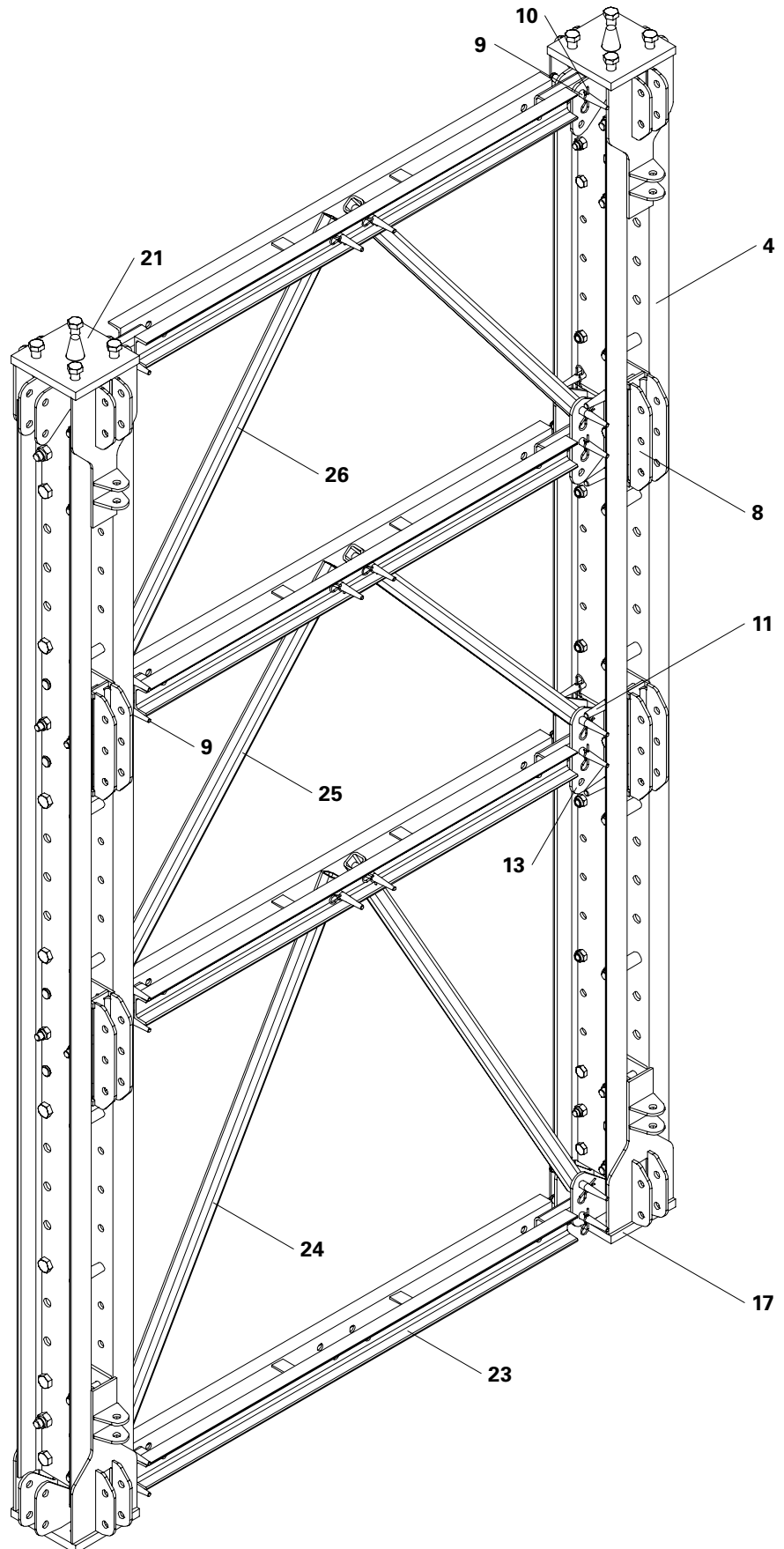


Fig. A5.01

Parts list for Module VST 525

| Pos. | Name | Quantity |
|------|------------------------------------|----------|
| 5 | Climbing Rail RCS 498 | 2 |
| 8 | Bracing Connector VST | 6 |
| 9 | Fitting Pin \varnothing 21 x 120 | 38 |
| 10 | Cotter Pin 4/1, galv. | 38 |
| 11 | Fitting Pin \varnothing 26 x 120 | 12 |
| 12 | Cotter Pin 5/1, galv. | 12 |
| 13 | Cross Connector VST | 6 |
| 14 | Bolt ISO 4014 M20 x 140-8.8 | 12 |
| 15 | Nut ISO 7042 M20-8 | 24 |
| 16 | Sleeve VST | 6 |
| 17 | Prop Base VST | 2 |
| 18 | Bolt ISO 4014 M20 x 130-10.9 | 12 |
| 19 | Bolt ISO 4014 M24 x 140-10.9 | 12 |
| 20 | Nut ISO 7042 M24-8 | 12 |
| 21 | Prop Connector VST 48 | 2 |
| 23 | Horizontal Ledger VST 200 | 5 |
| 24 | Diagonal Strut VST 200/150 | 4 |
| 25 | Diagonal Strut VST 200/100 | 2 |
| 26 | Diagonal Strut VST 200/112.5 | 2 |



Connecting means are pre-assembled in the VST components.

The total weight of a Module VST 525 is 1123.66 kg.

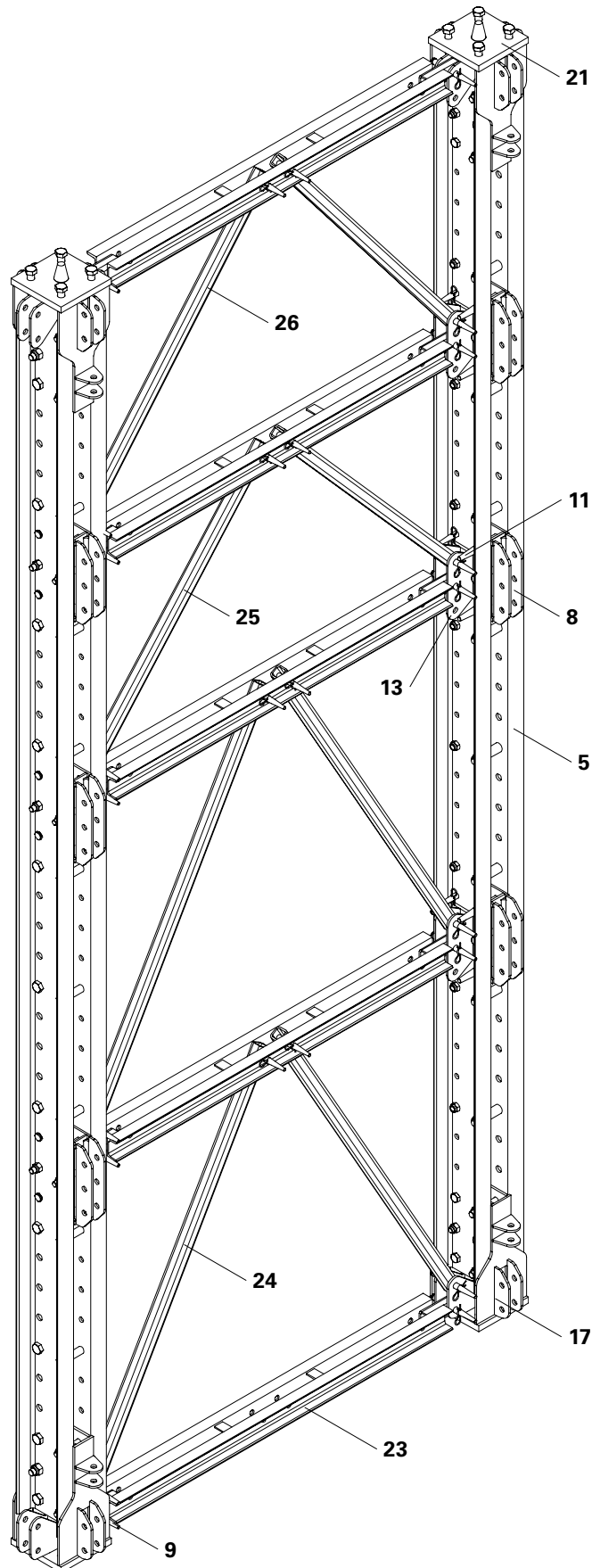


Fig. A6.01

Parts list for Module VST 775

| Pos. | Name | Quantity |
|------|------------------------------|----------|
| 6 | Climbing Rail RCS 748 | 2 |
| 8 | Bracing Connector VST | 10 |
| 9 | Fitting Pin Ø 21 x 120 | 58 |
| 10 | Cotter Pin 4/1, galv. | 58 |
| 11 | Fitting Pin Ø 26 x 120 | 20 |
| 12 | Cotter Pin 5/1, galv. | 20 |
| 13 | Cross Connector VST | 10 |
| 14 | Bolt ISO 4014 M20 x 140-8.8 | 20 |
| 15 | Nut ISO 7042 M20-8 | 32 |
| 16 | Sleeve VST | 10 |
| 17 | Prop Base VST | 2 |
| 18 | Bolt ISO 4014 M20 x 130-10.9 | 12 |
| 19 | Bolt ISO 4014 M24 x 140-10.9 | 12 |
| 20 | Nut ISO 7042 M24-8 | 12 |
| 21 | Prop Connector VST 48 | 2 |
| 23 | Horizontal Ledger VST 200 | 7 |
| 24 | Diagonal Strut VST 200/150 | 6 |
| 25 | Diagonal Strut VST 200/100 | 4 |
| 26 | Diagonal Strut VST 200/112.5 | 2 |



Connecting means are pre-assembled in the VST components.

The total weight of a Module VST 775 is 1601.30 kg.

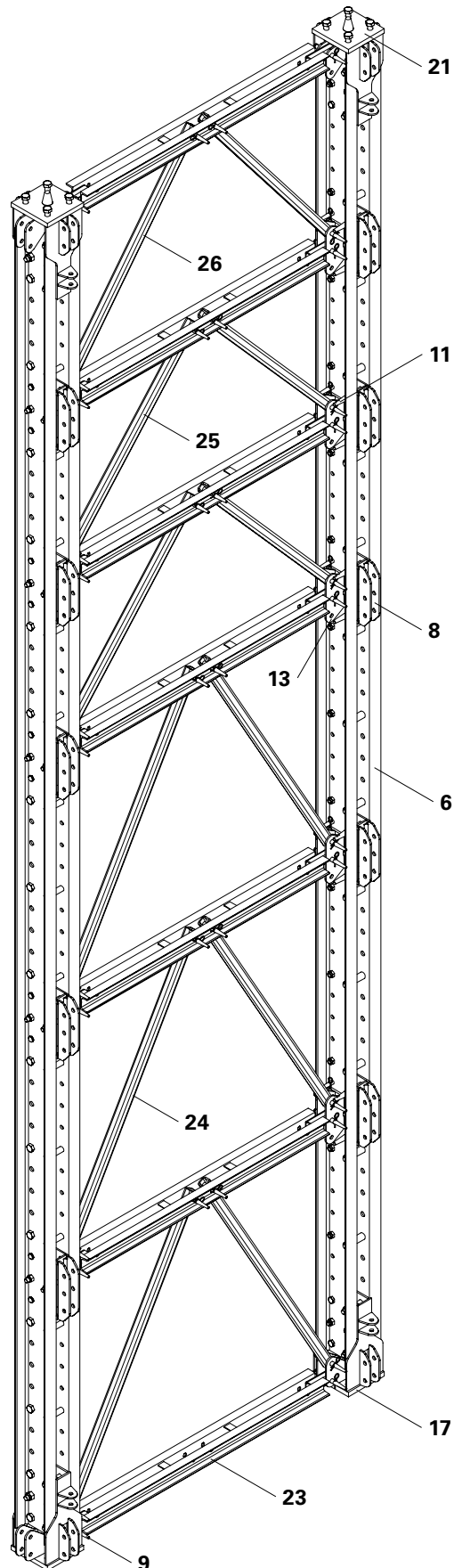


Fig. A7.01

Parts list for Module VST 1025

| Pos. | Name | Quantity |
|------|------------------------------------|----------|
| 7 | Climbing Rail RCS 998 | 2 |
| 8 | Bracing Connector VST | 12 |
| 9 | Fitting Pin \varnothing 21 x 120 | 68 |
| 10 | Cotter Pin 4/1, galv. | 68 |
| 11 | Fitting Pin \varnothing 26 x 120 | 24 |
| 12 | Cotter Pin 5/1, galv. | 24 |
| 13 | Cross Connector VST | 12 |
| 14 | Bolt ISO 4014 M20 x 140-8.8 | 24 |
| 15 | Nut ISO 7042 M20-8 | 36 |
| 16 | Sleeve VST | 12 |
| 17 | Prop Base VST | 2 |
| 18 | Bolt ISO 4014 M20 x 130-10.9 | 12 |
| 19 | Bolt ISO 4014 M24 x 140-10.9 | 12 |
| 20 | Nut ISO 7042 M24-8 | 12 |
| 21 | Prop Connector VST 48 | 2 |
| 23 | Horizontal Ledger VST 200 | 8 |
| 24 | Diagonal Strut VST 200/150 | 12 |
| 26 | Diagonal Strut VST 200/112.5 | 2 |



Connecting means are pre-assembled in the VST components.

The total weight of a Module VST 1025 is 1987.12 kg.

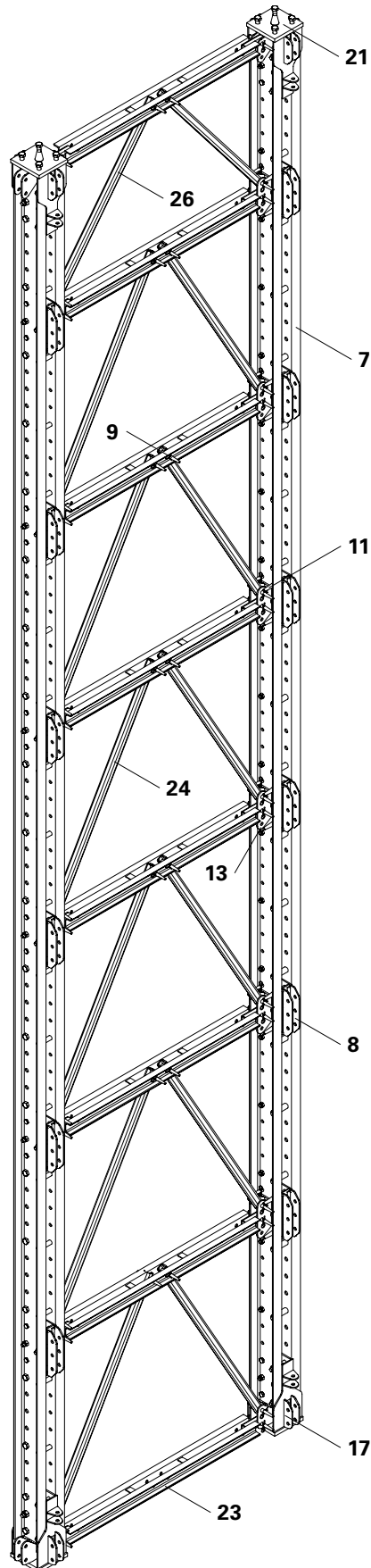


Fig. A8.01

A9 Head Spindle Frame VST

Parts list for the Head Spindle Frame VST

| Pos. | Name | Quantity |
|------|-----------------------------|----------|
| 9 | Fitting Pin Ø 21 x 120 | 8 |
| 10 | Cotter Pin 4/1, galv. | 8 |
| 23 | Horizontal Ledger VST 200 | 2 |
| 27 | Diagonal Strut VST 200/62.5 | 2 |
| 28 | Head Spindle VST 100 | 2 |

The total weight of a Head Spindle Frame VST is 424.62 kg.

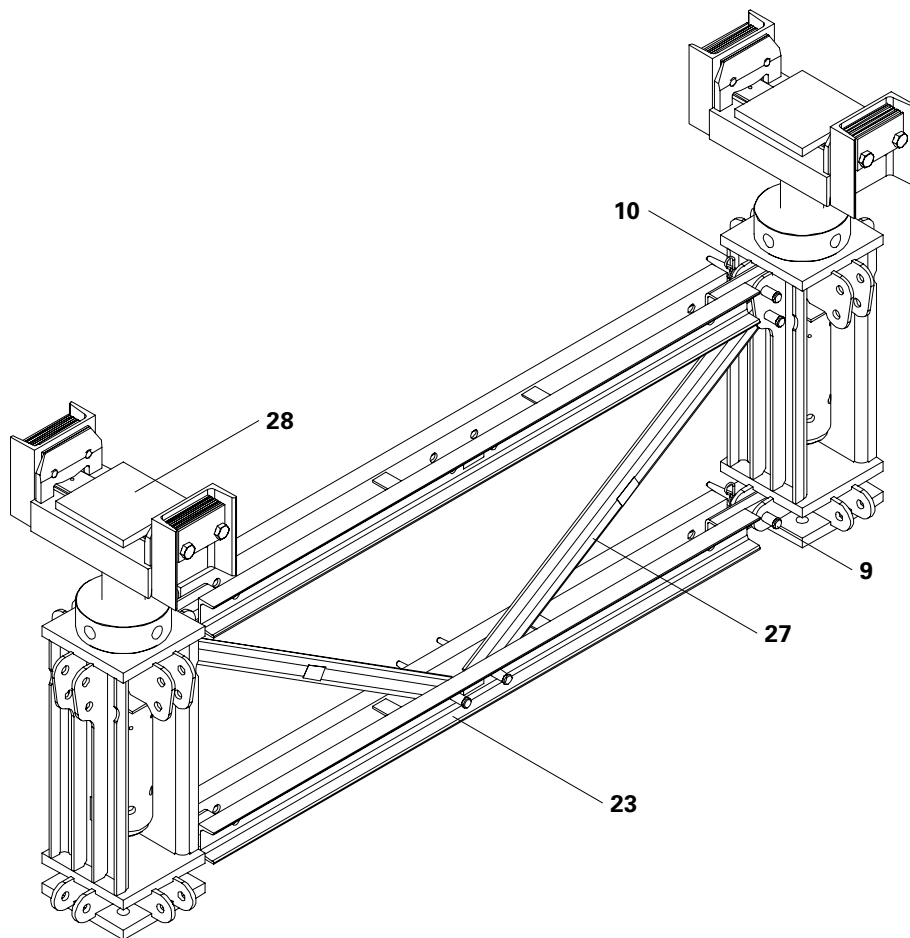


Fig. A9.01

Parts list for a Head Spindle VST 100

| Pos. | Name | Quantity |
|------|----------------------|----------|
| 28 | Head Spindle VST 100 | 1 |
| 28.1 | Fork Head | |
| 28.2 | Spindle Nut | |
| 28.3 | Spindle Sleeve | |
| 29 | Mounting Shaft VST | 1 |
| 43.4 | Hydraulic Cylinder | 1 |



The maximum spindling length must not exceed 1138 mm measured from the base plate of the head spindle to the top edge of the bearing plate.



Holes in the spindle sleeve serve as a visual check. When the thread is visible through these holes, the head spindle is within the permissible range.



If the thread cannot be seen, the permissible state must be established by means of suitable measures, e.g. packing under the main beams with compensating plates or installation of Height Adjusts VST 12.5 or 25, before the tower is loaded.

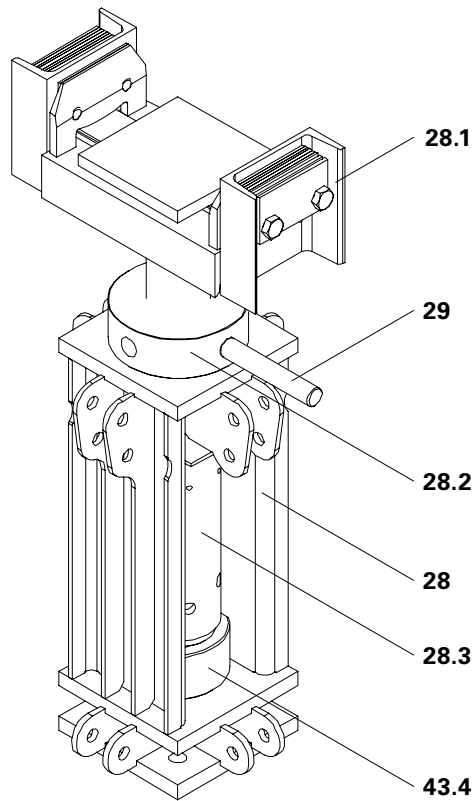


Fig. A10.01

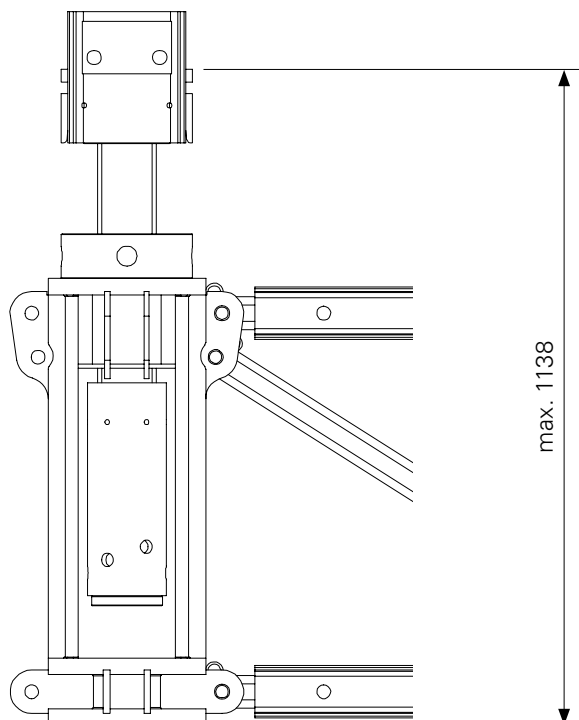


Fig. A10.01a

A11 VST Tower Configuration 1

Tower configuration 2.0 x 2.0 m

Pos. Name

- 9 Fitting Pin Ø 21 x 120
- 10 Cotter Pin 4/1, galv.
- 23 Horizontal Ledger VST 200
- 24 Diagonal Strut VST 200/150
- 25 Diagonal Strut VST 200/100
- 26 Diagonal Strut VST 200/112.5
- 27 Diagonal Strut VST 200/62.5

Total weight for one VST Tower (configuration 1)

| Name | Total weight (kg) |
|------------------------|-------------------|
| Tower 125 | 912.80 |
| Tower 175 | 1,324.52 |
| Tower 275 | 1,579.64 |
| Tower 375 | 2,103.28 |
| Tower 525 | 2,764.52 |
| Tower 775 | 3,945.40 |
| Tower 1025 | 4,861.48 |
| Head Spindle Frame VST | 1,010.48 |

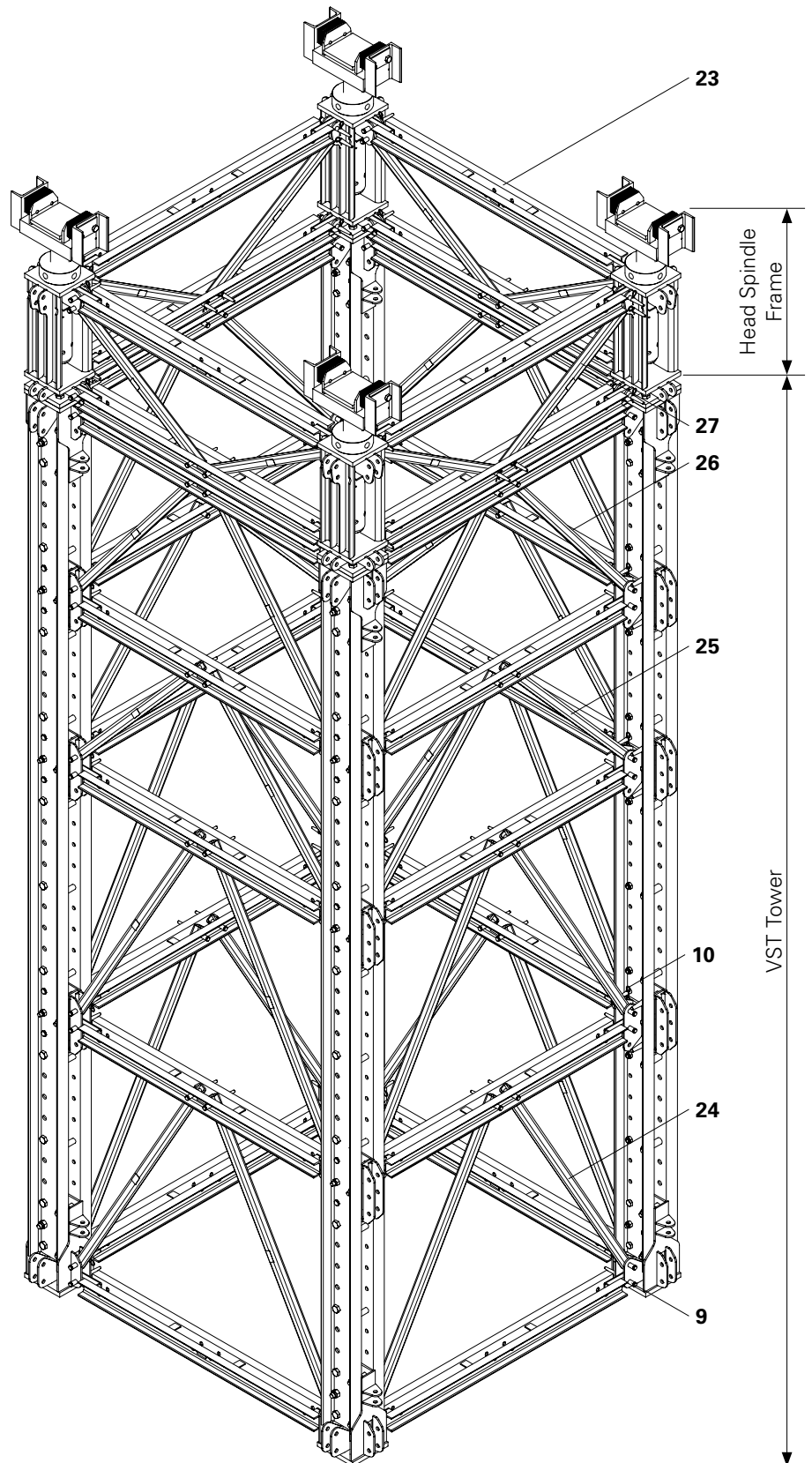


Fig. A11.01

A12 VST Tower Configuration 2

Tower configuration 2.0 x 1.0 – 4.5 m

Pos. Name

- | | |
|-----------|------------------------------------|
| 9 | Fitting Pin \varnothing 21 x 120 |
| 10 | Cotter Pin 4/1, galv. |
| 30 | Heavy-Duty Spindle SLS |



Connecting means for Heavy-Duty Spindles SLS must be ordered separately.

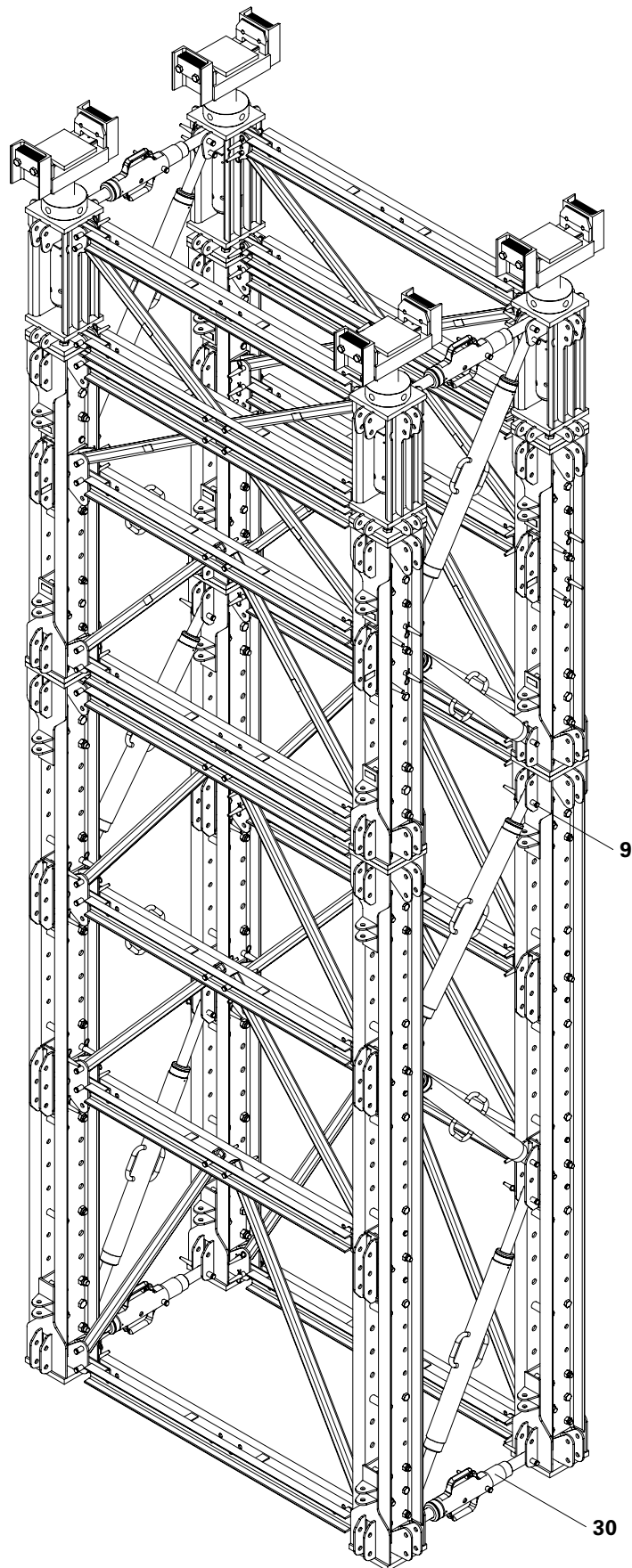


Fig. A12.01

A13 VST Tower Configuration 3

Tower configuration 1.25 – 6.5 x 1.0 – 4.5 m

Pos. Name

- | | |
|----|------------------------------------|
| 9 | Fitting Pin \varnothing 21 x 120 |
| 10 | Cotter Pin 4/1, galv. |
| 30 | Heavy-Duty Spindle SLS |
| 33 | Steel Waler Universal SRU U120 |
| 34 | Adapter VST-SRU |



Connecting means for Heavy-Duty Spindles SLS and Steel Waler Universal SRU U120 must be ordered separately.

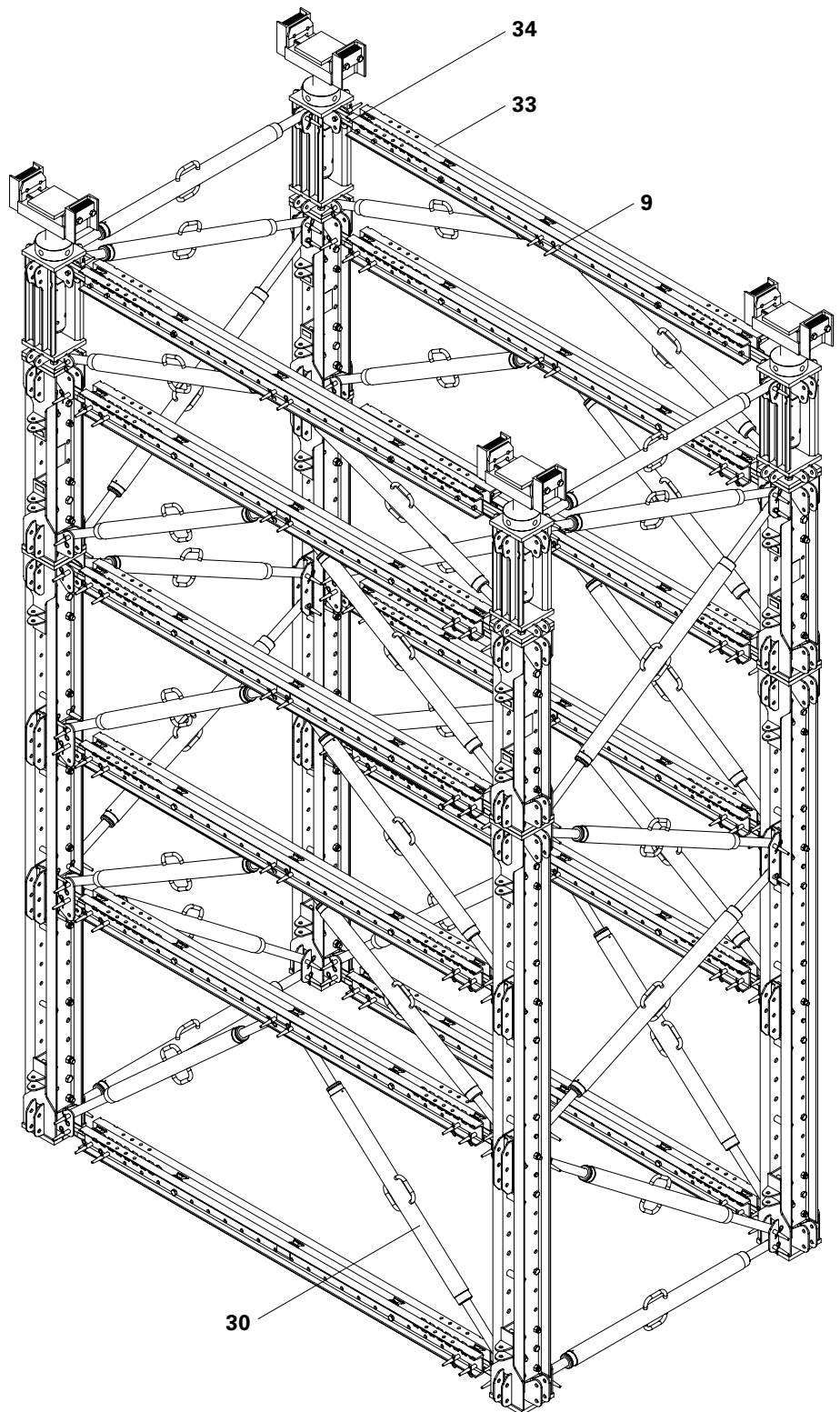


Fig. A13.01

A14 VST Tower Configuration 4

Tower configuration 1.25 – 6.5 x 1.25 – 6.5 m

Pos. Name

| | |
|----|--------------------------------|
| 9 | Fitting Pin Ø 21 x 120 |
| 10 | Cotter Pin 4/1, galv. |
| 30 | Heavy-Duty Spindle SLS |
| 33 | Steel Waler Universal SRU U120 |
| 34 | Adapter VST-SRU |



Connecting means for Heavy-Duty Spindles SLS and Steel Waler Universal SRU U120 must be ordered separately.

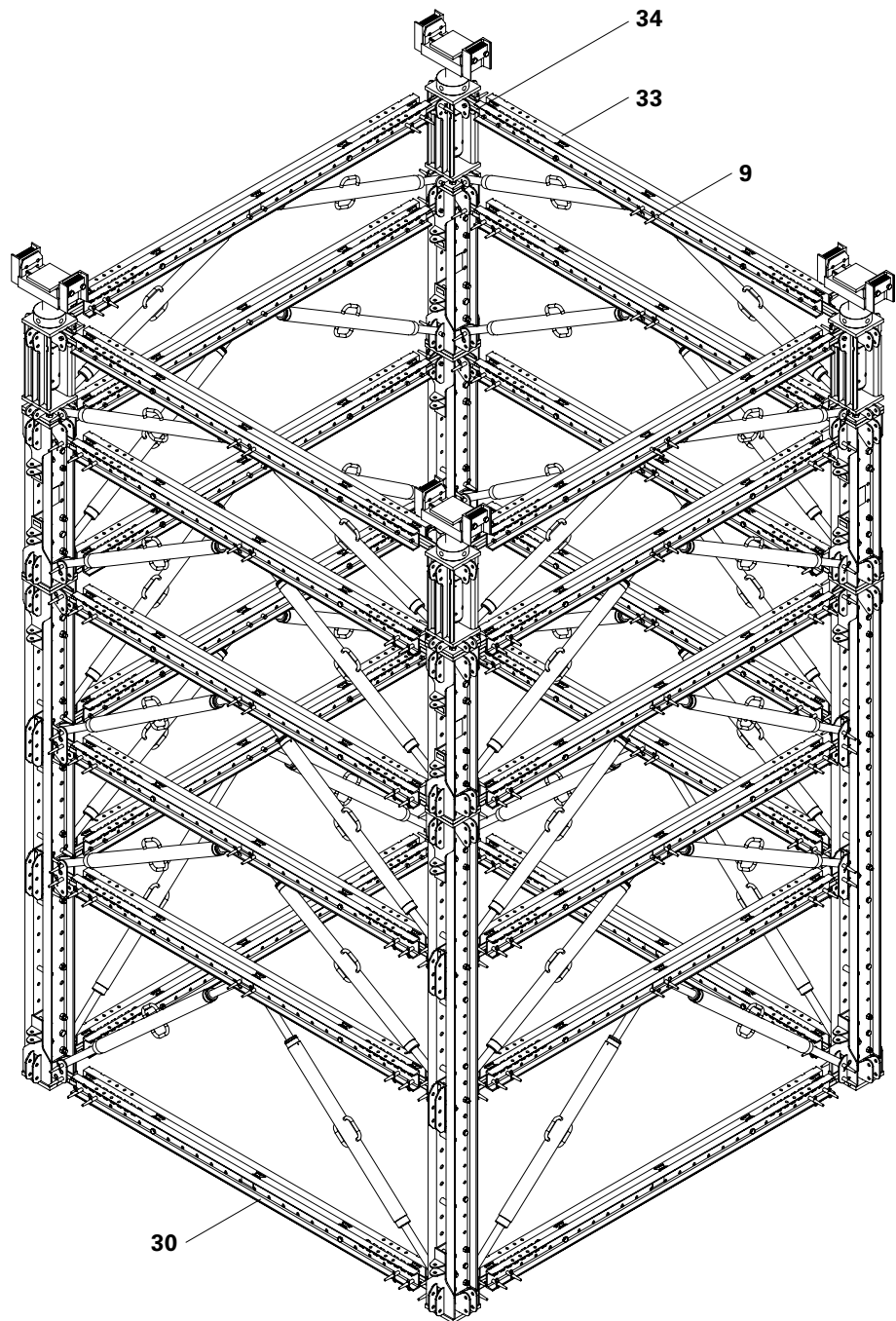


Fig. A14.01

A15 Arrangement of the Height Adjusts



When arranging the Height Adjusts VST 25 and VST 12.5, the following must be observed:

- Maximum one Height Adjust VST 12.5 (44) and one Height Adjust VST 25 (45) may be placed under the head spindle (28).
- Additional Height Adjusts VST 12.5 (44) and Height Adjusts VST 25 (45) must be arranged individually between the modules positioned below.

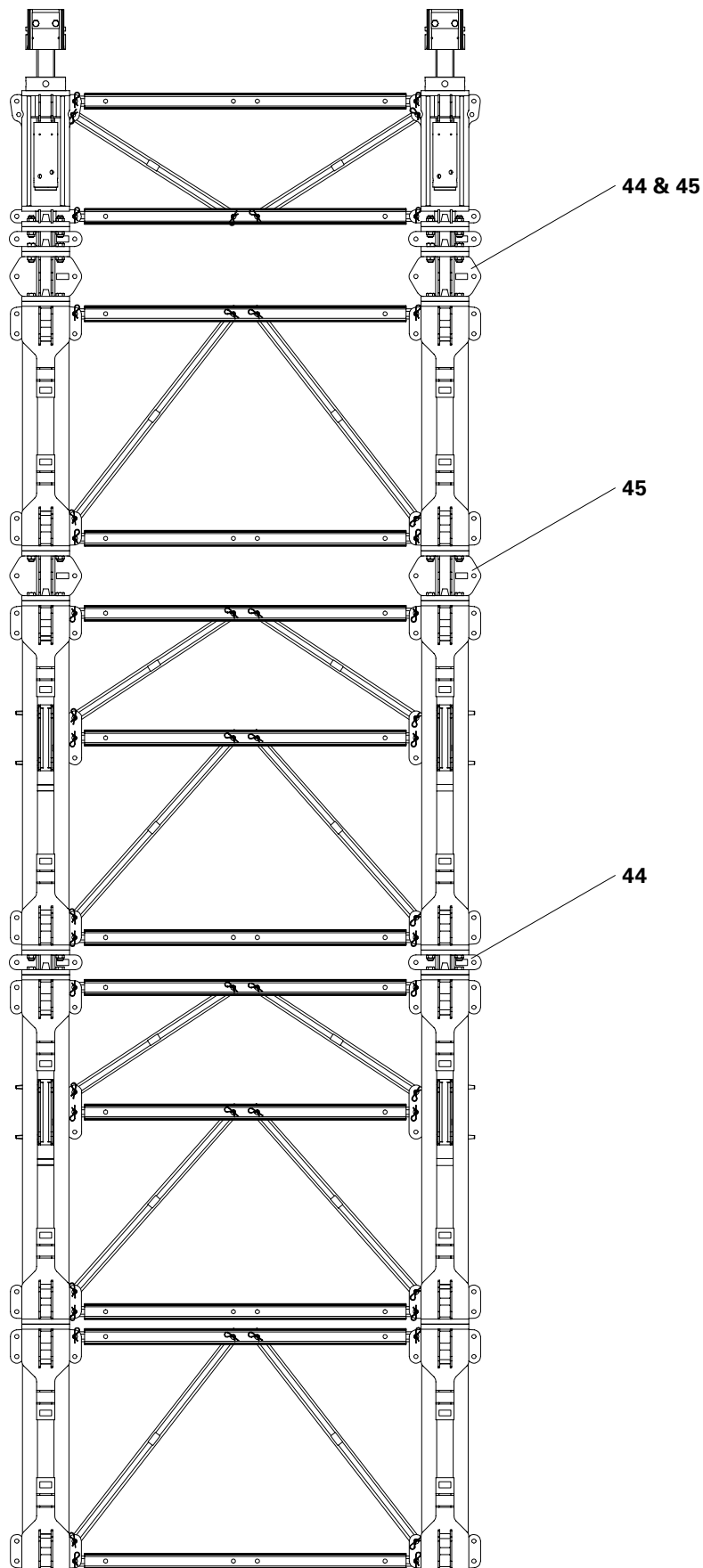


Fig. A15.01

A16 Assembly of two Cross Connectors VST on the RCS / Bracing Connector VST

Components

Pos. Name

| | |
|-------|---------------------------------------|
| 2 - 7 | Climbing Rail RCS 148 - 998 |
| 8 | Bracing Connector VST |
| 13 | Cross Connector VST |
| 15 | Nut ISO 7042 M20-8, galv. |
| 16 | Sleeve VST, galv. |
| 37 | Cyl. Bolt ISO 4762 M20x150-8.8, galv. |

Assembly

1. Insert Sleeve VST, galv. (16) in the Bracing Connector VST (8).
2. Position 2x Cross Connector VST (13) on the Climbing Rail RCS 148 (2)*.
3. Mount Cross Connectors VST (13) to the Climbing Rail RCS 148 (2)* by means of Cyl. Bolt ISO 4762 (37) and Nut ISO 7042 (15).

* Depending on the module size, other climbing rails are used.



For assembly of the Bracing Connector (8), see Section B2.

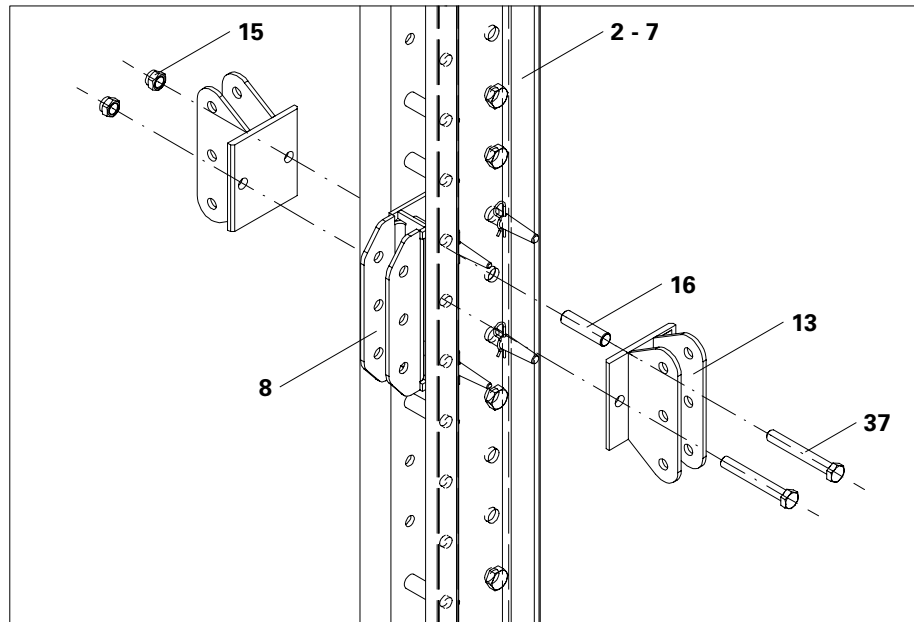


Fig. A16.01

Components

Pos. Name

| | |
|----|------------------------------------|
| 8 | Bracing Connector VST |
| 9 | Fitting Pin \varnothing 21 x 120 |
| 10 | Cotter Pin 4/1, galv. |
| 13 | Cross Connector VST |
| 33 | Steel Waler Universal SRU U120 |
| 34 | Adapter VST-SRU |

Assembly

1. Mount Adapter VST-SRU (34) on Steel Waler SRU U120 (33) using 2x Fitting Pins \varnothing 21 x 120 (9) and secure with Cotter Pins 4/1, galv.
2. Mount Adapter VST-SRU (34) on the Cross Connector VST (13) in the centre using 1x Fitting Pin \varnothing 21 x 120 (9) and secure with Cotter Pin 4/1, galv.

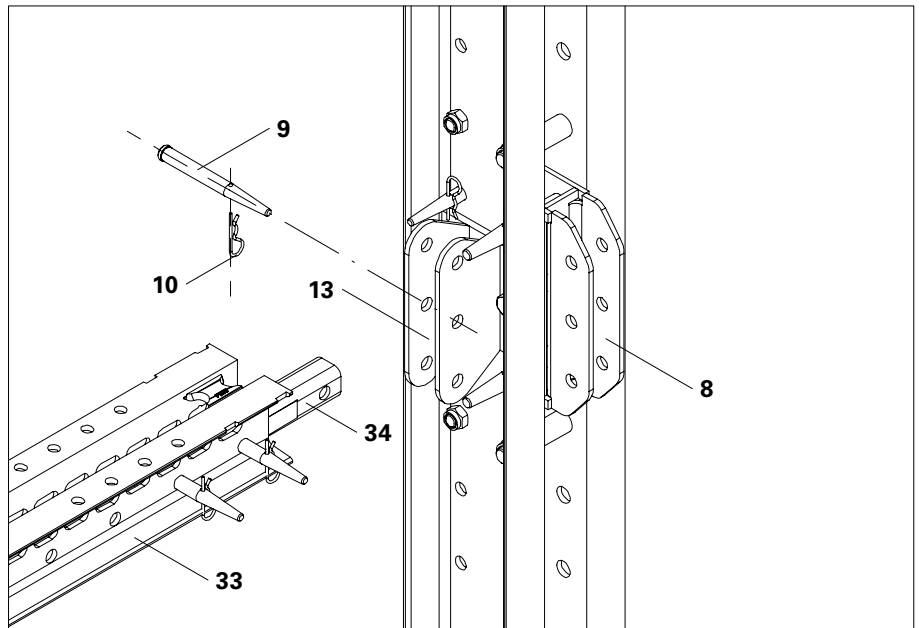


Fig. A17.01

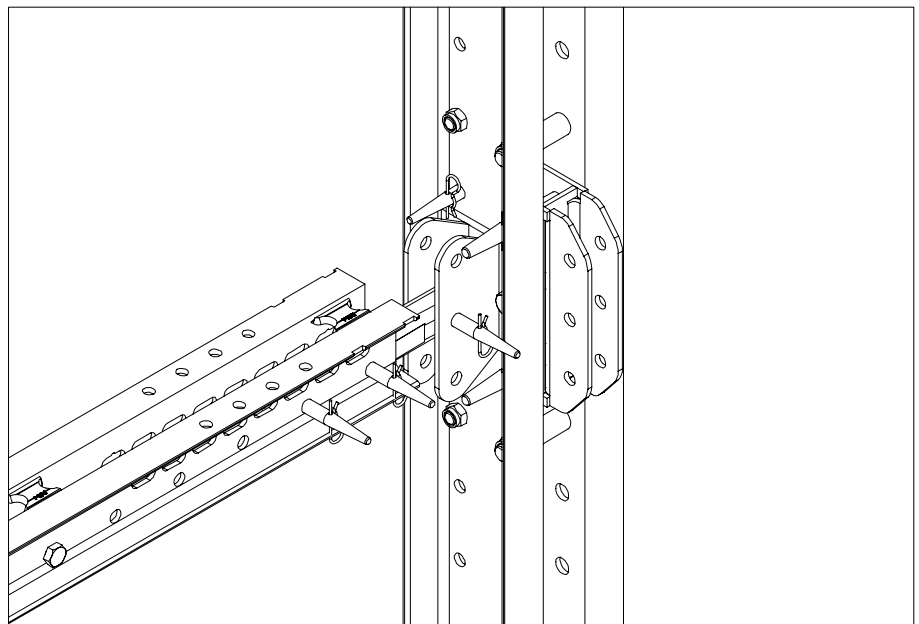


Fig. A17.02



Project-specific planning is required for the working platforms.

Components

Pos. Name

| | |
|----|--|
| 9 | Fitting Pin \varnothing 21 x 120 |
| 10 | Cotter Pin 4/1, galv. |
| 38 | Connector UP / VST |
| 39 | Bolt \varnothing 20 x 140, galv. PERI UP Rosett Flex components |

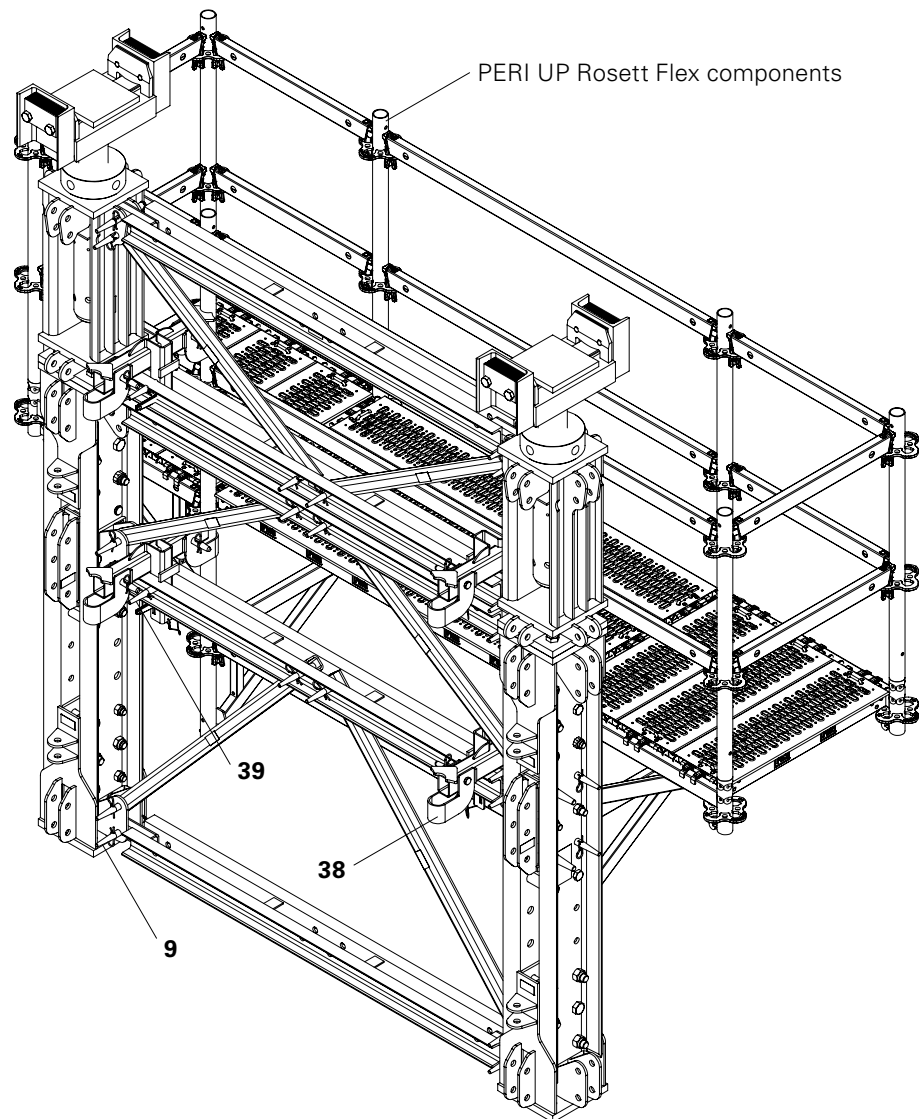


Fig. A18.01

Connector UP-VST

Pos. Name

- | | |
|------|------------------------------------|
| 9 | Fitting Pin \varnothing 21 x 120 |
| 10 | Cotter Pin 4/1, galv. |
| 38 | Connector UP-VST |
| 38.1 | Retaining Lug |
| 39 | Bolt \varnothing 20 x 140, galv. |
| 40 | Wedge K, galv. |

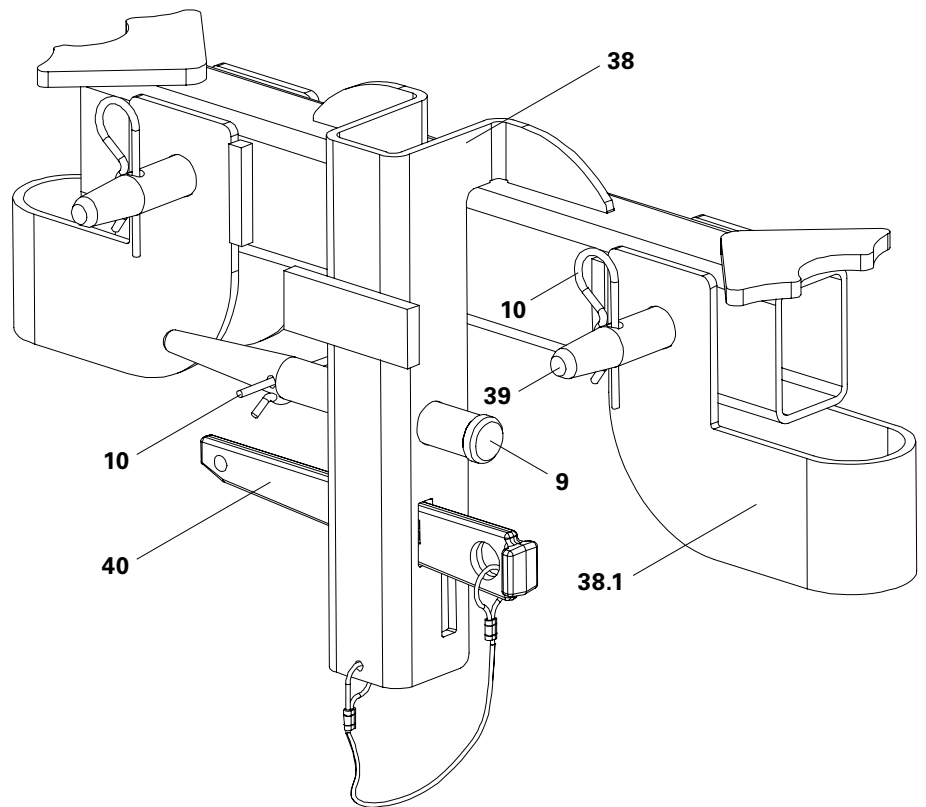


Fig. A18.02

Components

Pos. Name

| | |
|----|------------------------------------|
| 9 | Fitting Pin \varnothing 21 x 120 |
| 10 | Cotter Pin 4/1, galv. |
| 41 | Leg Connector VST 200/37.5 |
| 42 | Horizontal Connector VST 37.5 |

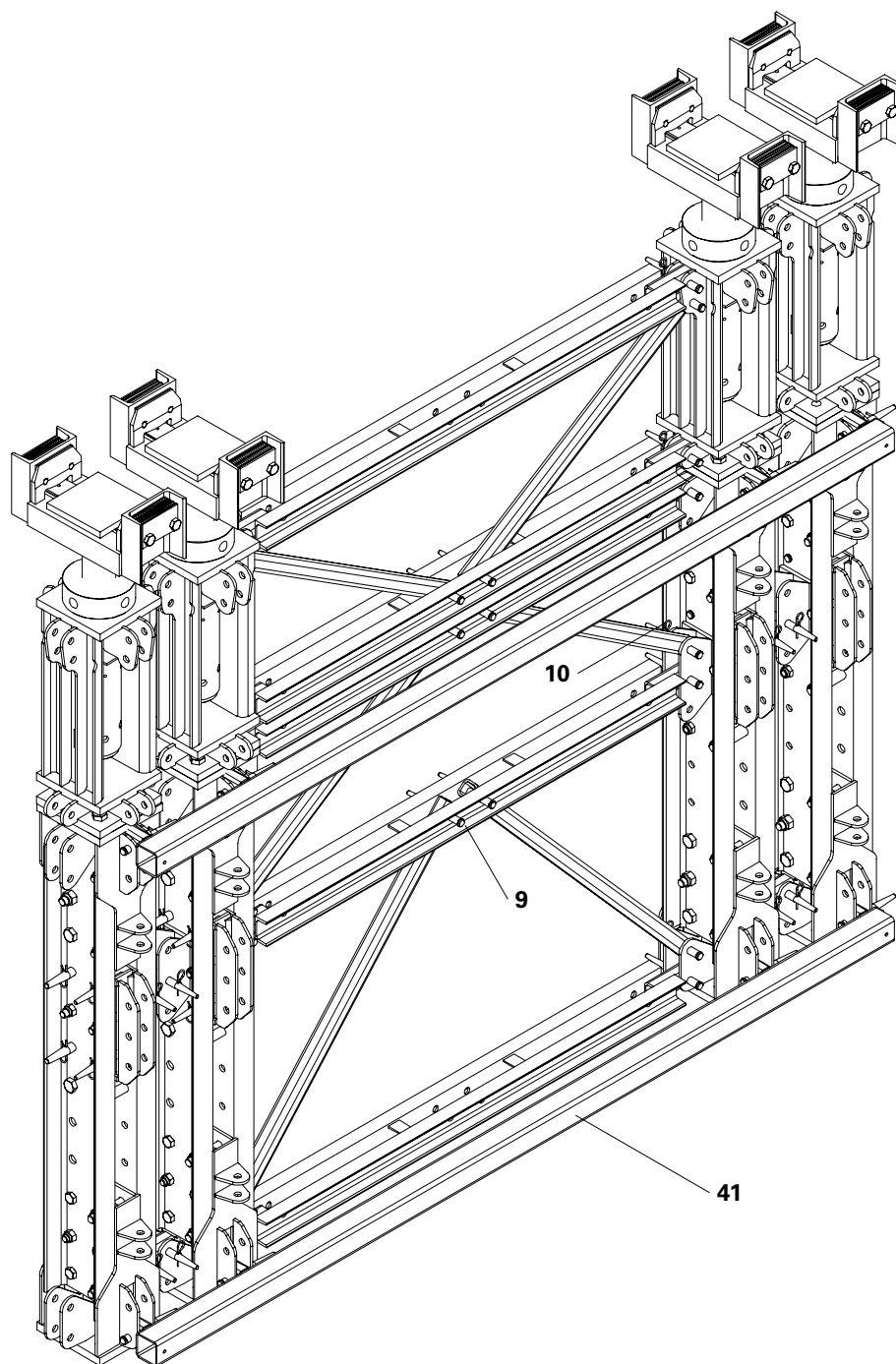


Fig. A19.01

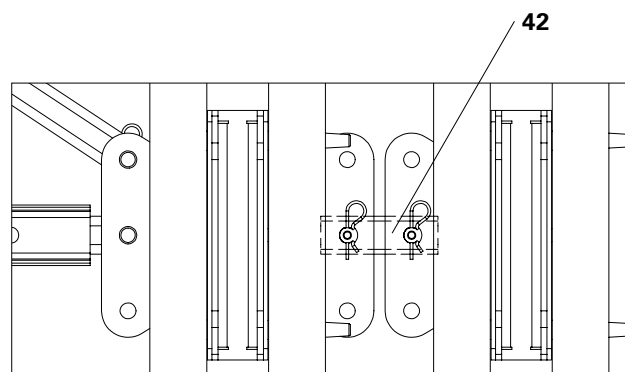


Fig. A19.01a



Follow Instructions for Use for the Hydraulic Head Spindle Device VST.



Fig. A20.02

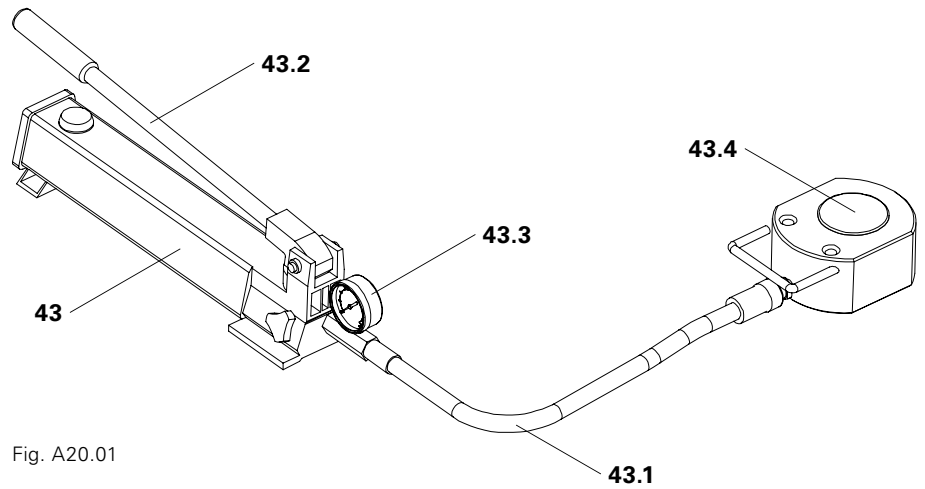


Fig. A20.01

Components

| Pos. | Name |
|------|-----------------------|
| 43 | Hydraulic Unit VST 75 |
| 43.1 | Hydraulic Hose |
| 43.2 | Hand Pump |
| 43.3 | Manometer |
| 43.4 | Hydraulic Cylinder |

Operating state: mounting



Assembly platforms must not be used as storage areas.

- Rough pre-adjustment.
- Assembly of the upper construction.
- Fine adjustment of the upper construction with the Hydraulic Head Spindle Device VST.

Operating state: lowering and dismantling



Assembly platforms must not be used as storage areas.

- After the upper construction has reached the required load-bearing capacity, the VST Heavy-Duty Shoring Tower is then lowered according to specifications laid down by the responsible structural engineer.
- Dismantling of additional load-bearing elements according to project-specific planning.



A project-specific lifting and lowering plan, as well as detailed static verification is always required.

Lifting or lowering operations only take place if a competent person has given the go-ahead and the upper construction has sufficient load-bearing capacity.

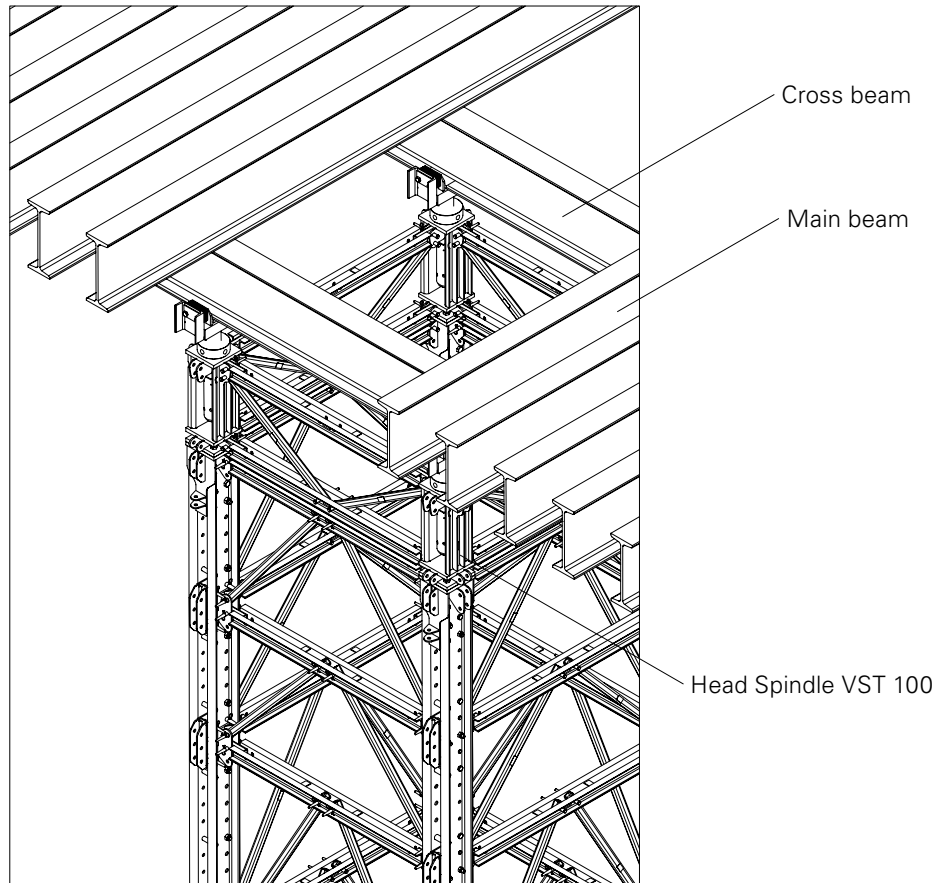


Fig. B1.01

Preparation of the RCS Rail

1. Supporting the RCS Rails with timbers or the like ($h \geq 10$ cm) on a flat surface.
2. Remove the first pair of bolts (M20 and M24) from the climbing rail.
3. Remove the external spacers. (Fig. B2.01a)



- Check the assembly position of the Prop Base VST 48.
- After the bolts have been removed, five rows of holes must then be free up to the next pair of bolts. (Fig. B2.01a)

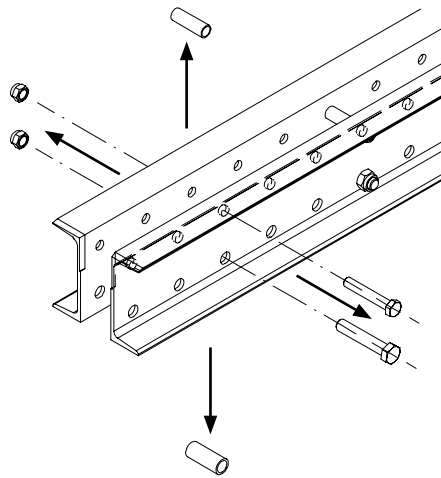


Fig. B2.01a

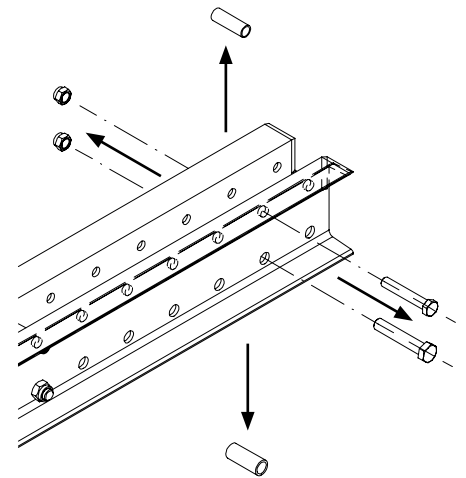


Fig. B2.01b

4. Remove the last pair of bolts (M20 and M24) from the climbing rail.
5. Remove the external spacers. (Fig. B2.01b)



- Check the assembly position of the Prop Connector VST 48.
- After the bolts have been removed, six rows of holes must be free up to the next pair of bolts. (Fig. B2.01b)

Preparation of the Prop Base VST 48

1. Remove all 6 bolt connections from the Prop Base VST 48 (17). (Fig. B2.02)

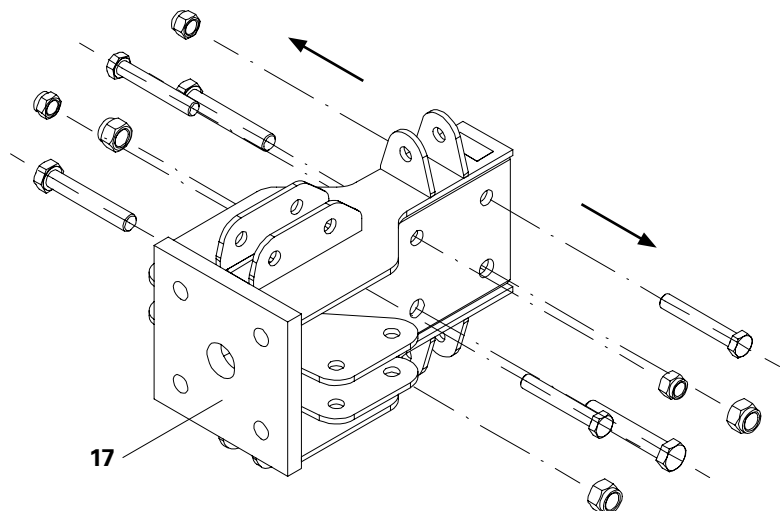


Fig. B2.02

Preparation of the Prop Connector VST 48

1. Remove all 6 bolt connections from the Prop Connector VST 48 (21). (Fig. B2.03)

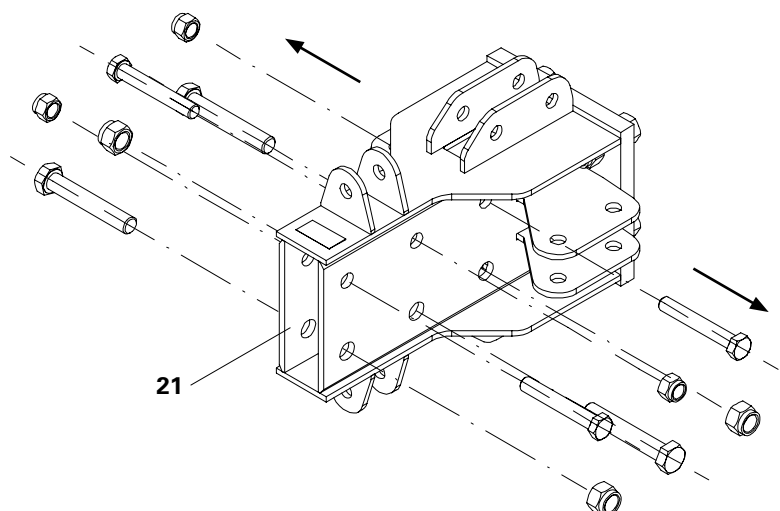


Fig. B2.03

Prop Connector VST 48



Risk of crushing fingers when inserting.



Assembly position must be observed.
(Six rows of holes free)

Bolting the Prop Connector VST 48 to the Climbing Rail RCS

1. Insert Prop Connector VST 48 (21) into the Climbing Rail RCS (3)* on the side with the six free rows of holes.
2. Insert 1 x Bolt ISO 4014 M20 (18) from the left-hand side.
3. Insert 2 x Bolts ISO 4014 M20 (18) from the right-hand side.
4. Attach Nuts ISO 7042 M20 (15) and tighten the connections.
5. Insert 1 x Bolt ISO 4014 M24 (19) from the right-hand side.
6. Insert 2 x Bolts ISO 4014 M24 (19) from the left-hand side.
7. Attach Nuts ISO 7042 M24 (20) and tighten the connections.

* Depending on the module size, other Climbing Rails RCS have to be used.

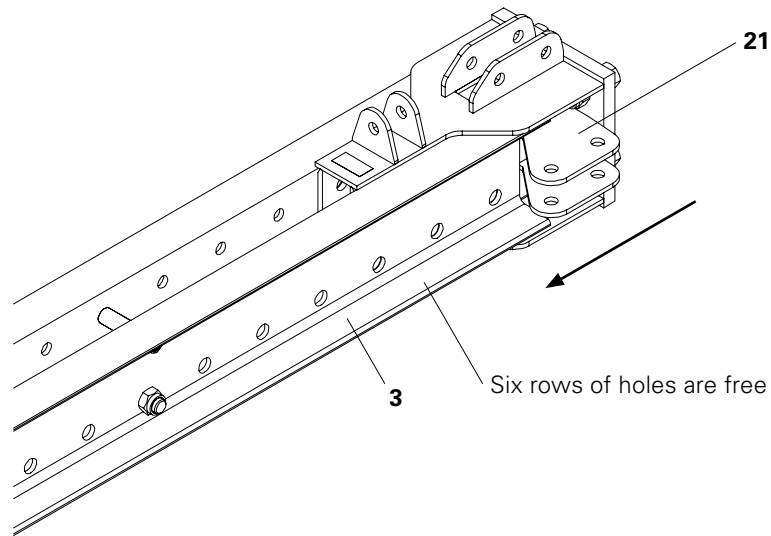


Fig. B2.04a

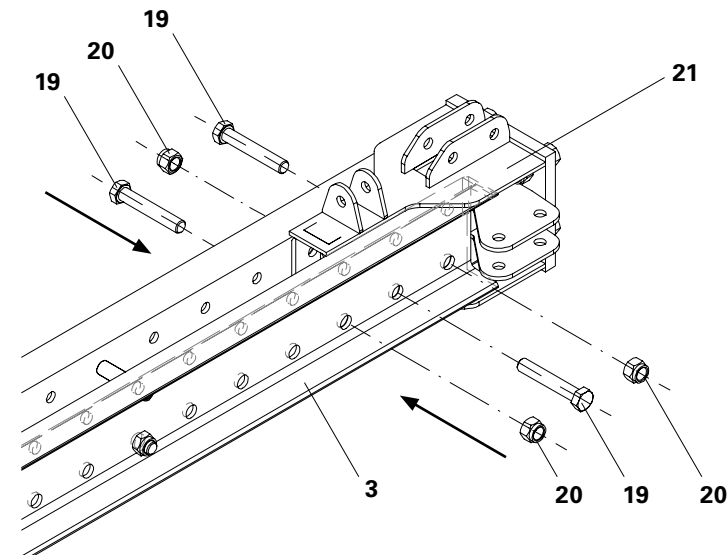


Fig. B2.04b

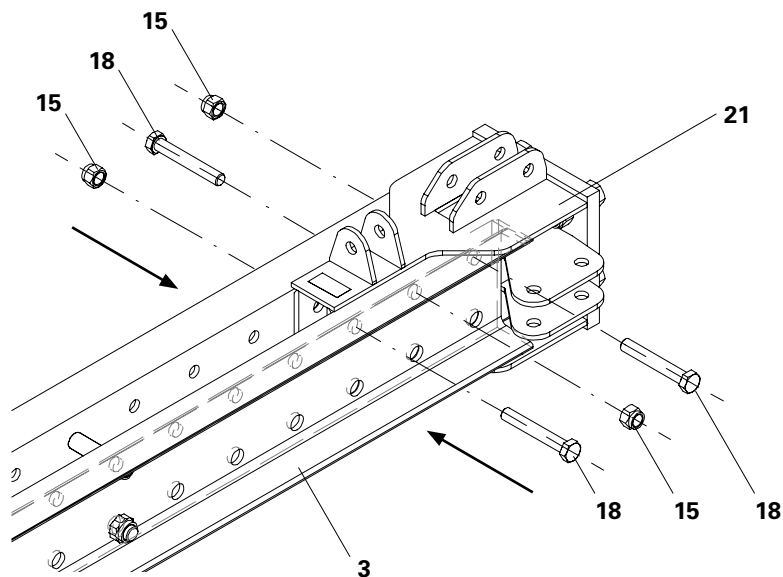


Fig. B2.04c

Prop Base VST 48



Risk of crushing fingers when inserting.



Assembly position must be observed.
(Five rows of holes free)

Bolting the Prop Base VST 48 to the Climbing Rail RCS

1. Insert Prop Base VST 48 (17) into the Climbing Rail RCS 248 (3)* on the side with the five free rows of holes.
2. Insert 1 x Bolt ISO 4014 M20 (18) from the left-hand side.
3. Insert 2 x Bolts ISO 4014 M20 (18) from the right-hand side.
4. Attach Nuts ISO 7042 M20 (15) and tighten the connections. (Fig. B2.05b)
5. Insert 1 x Bolt ISO 4014 M24 (19) from the right-hand side.
6. Insert 2 x Bolts ISO 4014 M24 (19) from the left-hand side.
7. Attach Nuts ISO 7042 M24 (20) and tighten the connections. (Fig. B2.05c)

* Depending on the module size, other Climbing Rails RCS must be used.

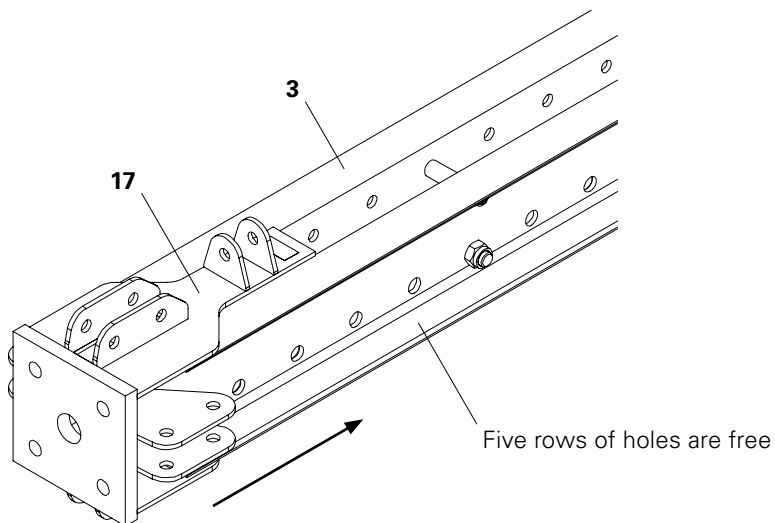


Fig. B2.05a

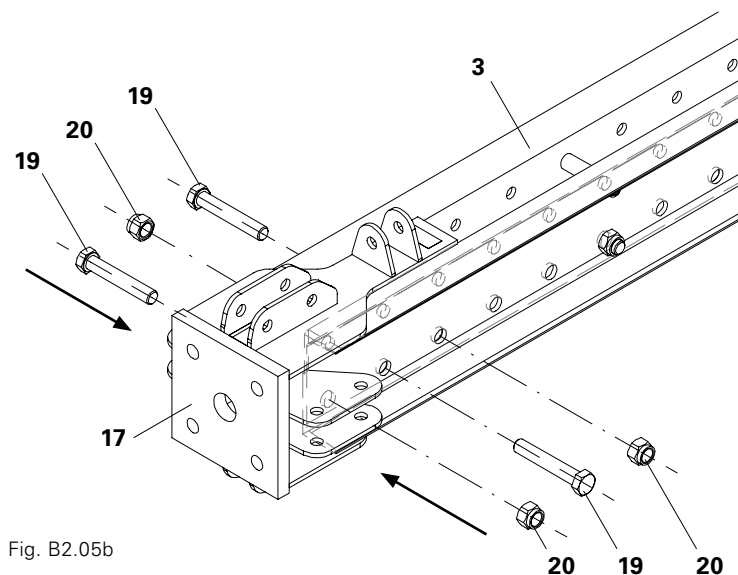


Fig. B2.05b

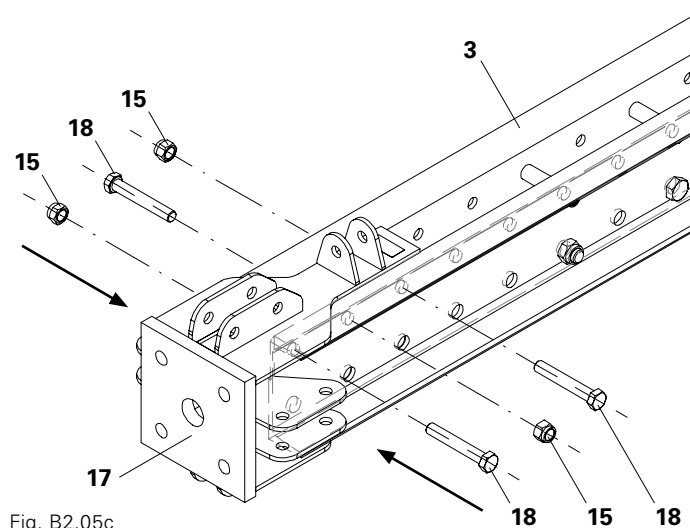


Fig. B2.05c

Bracing Connector VST



Risk of crushing fingers when inserting.



- The Bracing Connector VST (8) must be connected at the height of the Horizontal Ledger VST (23).
- The positions are indicated through the distances in Section A1 Overview.

Mounting the Bracing Connector VST (8) on the Climbing Rail RCS

1. Insert the Bracing Connector VST (8) into the Climbing Rail RCS.
2. Centre the Bracing Connector VST (8) with Sleeve VST (16) (included in the Cross Connector VST).
3. Connect the Bracing Connector VST (8) with 2x Fitting Pins \varnothing 21 mm (9) and 2x Fitting Pins \varnothing 26 mm (11) respectively.
4. Secure Fitting Pins \varnothing 21 mm (9) with Cotter Pins 4/1, galv. and Fitting Pins \varnothing 26 mm (11) with Cotter Pins 5/1, galv.

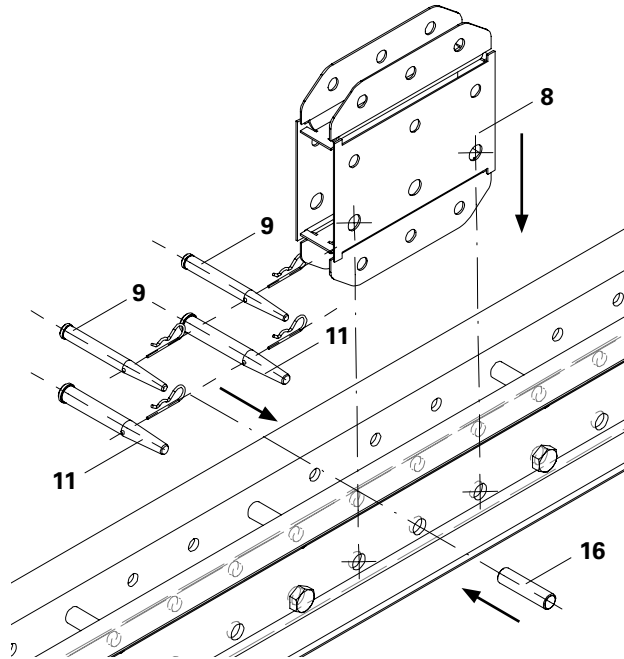


Fig. B2.06a

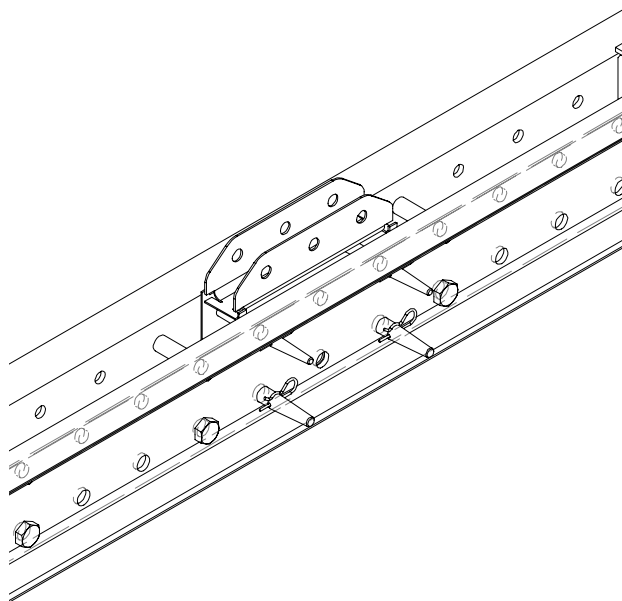


Fig. B2.06b

Cross Connector VST

Mounting of the Cross Connector VST (13) on the Climbing Rail RCS

1. Position the Cross Connector VST (13) on the axis of the Bracing Connector VST (8).
2. Insert 2 x Bolts ISO 4014 M24 (19).
3. Attach Nuts ISO 7042 M24 (20) and tighten the connections.

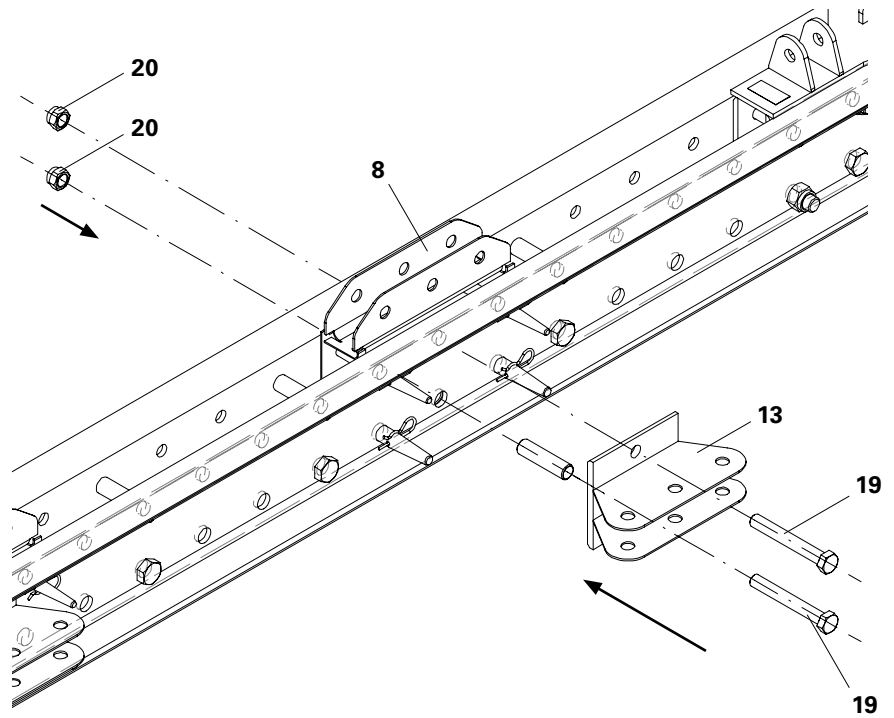


Fig. B2.07a

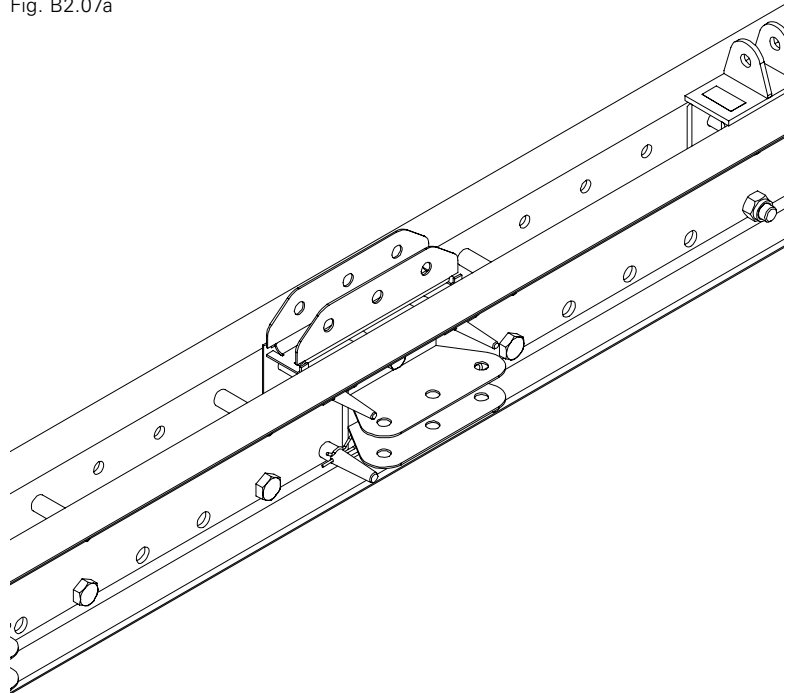


Fig. B2.07b

Horizontal Ledger VST 200



- **Horizontal Ledger VST 200 is always bolted to the Cross Connector VST.**
- **Bracing above the Bracing Connector VST is not permitted.**
- Position VST Legs at a distance of 2.0 m to each other on a flat assembly surface.
- Firstly, the Horizontal Ledgers VST 200 (23) are mounted on the Prop Connector VST (21) and the Prop Base VST (17). This results in the planned spacing for the legs.
- The two outer holes are used for the Prop Connector VST (21) and Prop Base VST (17) respectively.
- The centre holes are used for the Cross Connector VST (13).

Mounting the Horizontal Ledger VST 200 on the VST Legs

1. Insert the Horizontal Ledger VST 200 (23) into the Prop Base VST (17).
2. Connect the Horizontal Ledger VST 200 (23) with 1x Fitting Pin \varnothing 21 mm (9) on both sides respectively.
3. Secure fitting pins with cotter pins 4/1 (10). (Fig. B3.01a)
4. Repeat the procedure for all Horizontal Ledgers VST 200 (23). (Fig. B3.01b)

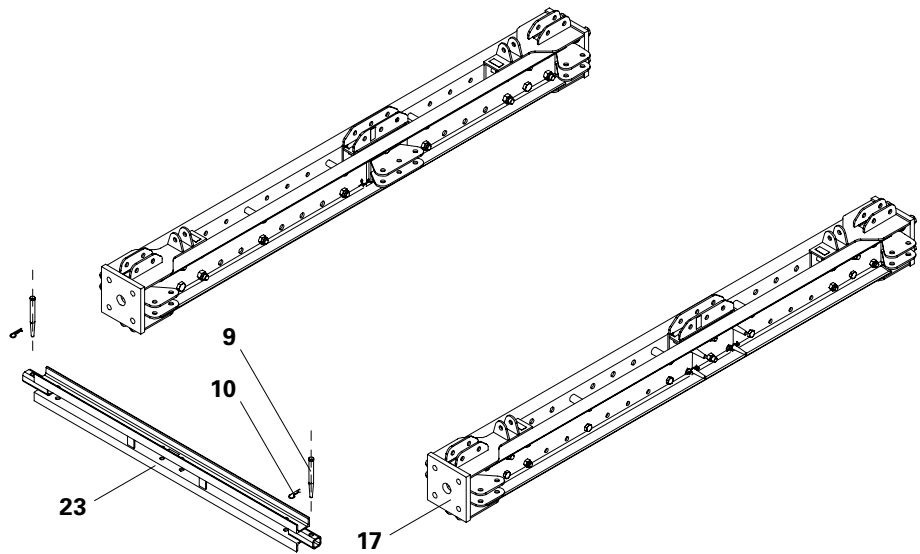


Fig. B3.01a

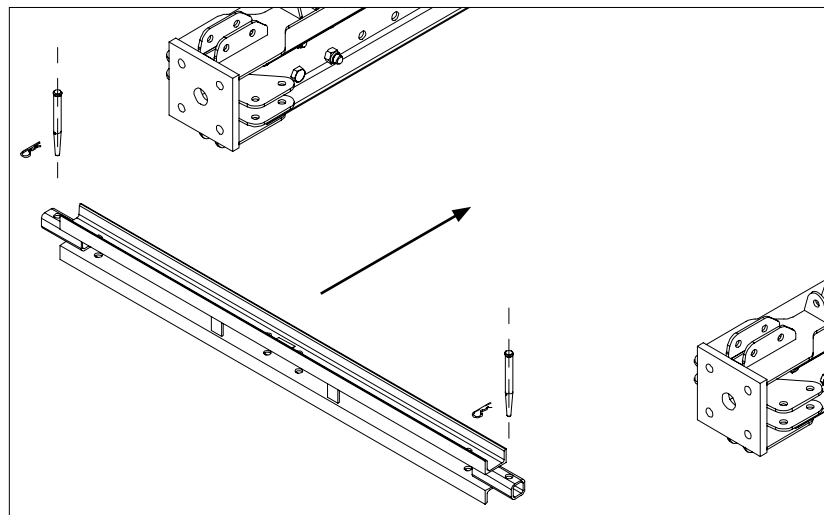


Fig. B3.01b

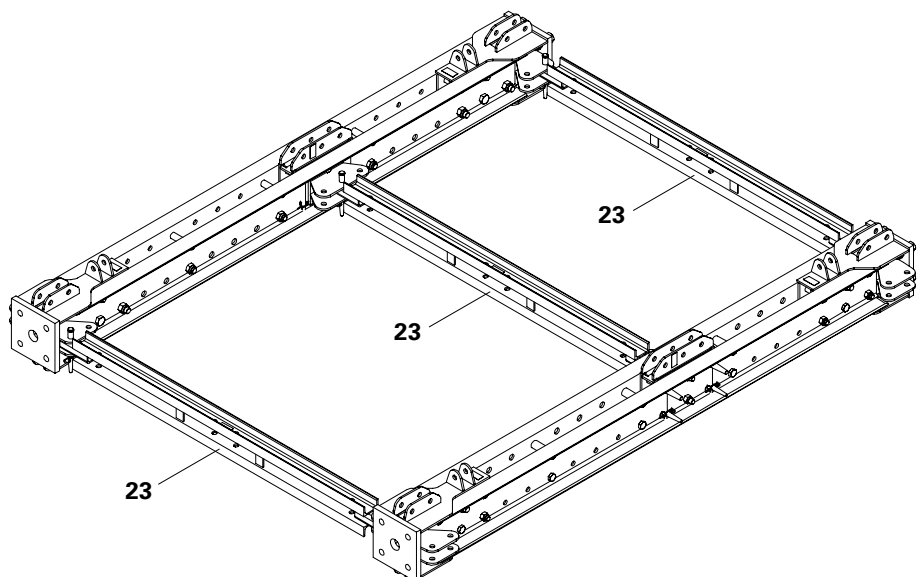


Fig. B3.01c

Diagonal Strut VST



- In order to erect the module at right angles, Diagonal Struts VST must be mounted.
- The appropriate Diagonal Struts VST can be found in Section A1 Overview.
- All diagonals can be installed in the same way.

Mounting the Diagonal Struts VST on the module

1. Connect the Diagonal Strut VST 200/150 (24a)* to the Prop Base VST 48 (17) using 1x Fitting Pin \varnothing 21 mm (9).
2. Swivel the Diagonal Strut VST 200/150 (24a)* as far as possible into the Horizontal Ledger VST 200 (23). (Fig. B3.02a)
3. Connect the second Diagonal Strut VST 200/150 (24b)* to the other Prop Base VST 48 (17) using 1x Fitting Pin \varnothing 21 mm (9).
4. Swivel second Diagonal Strut VST 200/150 (24b)* into the Horizontal Ledger VST 200 (23). (Fig. B3.02b)
5. Secure both Diagonal Struts VST 200/150 (24)* to the Horizontal Ledgers VST 200 (23) using 1x Fitting Pin \varnothing 21 mm (9) respectively. (Fig. B3.02c)
6. Repeat the procedure for all Diagonal Struts VST. (Fig. B3.02d)

* Depending on the module size, other Diagonal Struts VST are to be used.



The module is now fully assembled and can be erected or assembled to form a complete tower.



Horizontal support is connected to the Cross Connector VST not to the Bracing Connector VST. (Fig. B3.02d) (Fig. B3.02e)

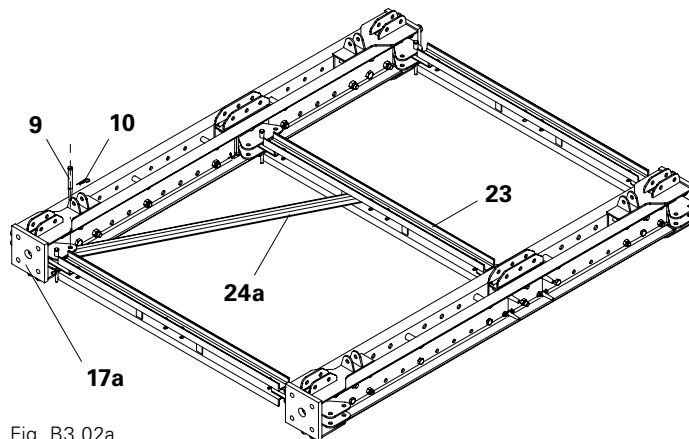


Fig. B3.02a

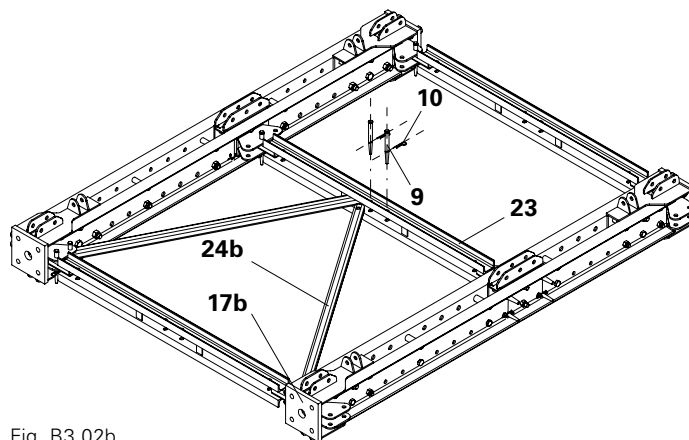


Fig. B3.02b

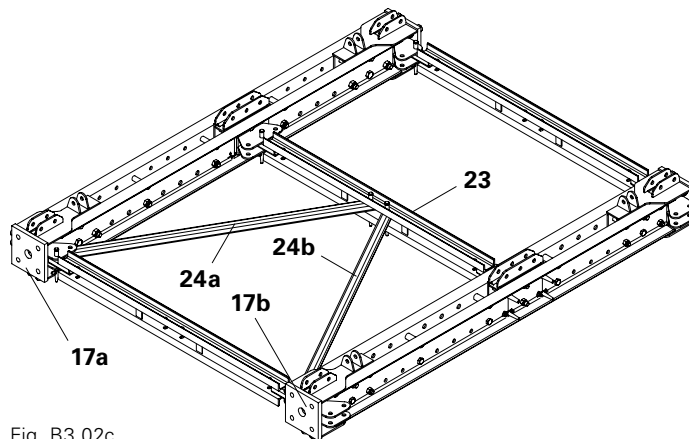


Fig. B3.02c

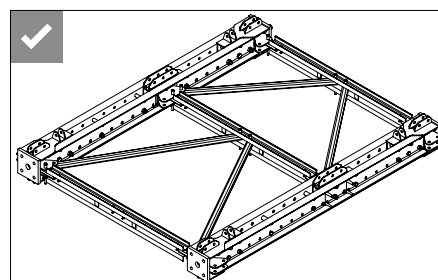


Fig. B3.02d

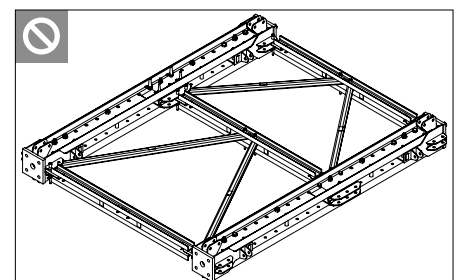


Abb. B3.02e

Mounting the Head Spindle Frame

Frame assembly

1. Place Head Spindles VST 100 (28) on timbers.
2. Connect the bottom Horizontal Ledger VST 200 (23a) to the first Head Spindle VST 100 (28a) using 1x Fitting Pin \varnothing 21 mm (9) and secure with Cotter Pin 4/1, galv.
3. Connect the bottom Horizontal Ledger VST 200 (23a) to the second Head Spindle VST 100 (28b) using 1x Fitting Pin \varnothing 21 mm (9) and secure with Cotter Pin 4/1, galv. (Fig. B4.01a)
4. Connect the top Horizontal Ledger VST 200 (23b) to the first Head Spindle VST 100 (28a) using 1x Fitting Pin \varnothing 21 mm (9) and secure with Cotter Pin 4/1, galv.
5. Connect the top Horizontal Ledger VST 200 (23b) to the second Head Spindle VST 100 (28b) using 1x Fitting Pin \varnothing 21 mm (9) and secure with Cotter Pin 4/1, galv. (Fig. B4.01b)

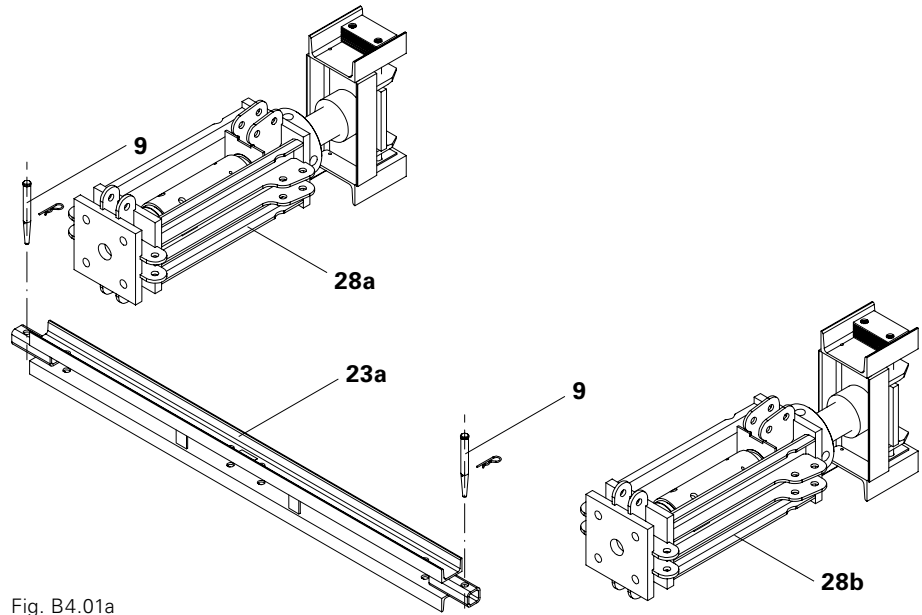


Fig. B4.01a

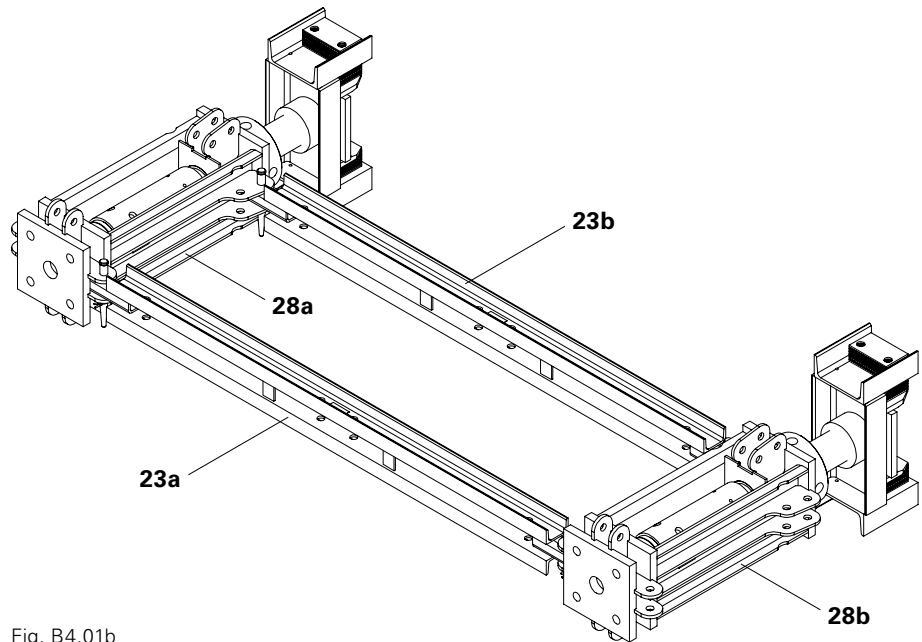


Fig. B4.01b

6. Connect the first Diagonal Strut VST 200/62.5 (27a) to the Head Spindle VST 100 (28a) using 1x Fitting Pin \varnothing 21 mm (9) and secure with Cotter Pin 4/1, galv.
7. Connect the first Diagonal Strut VST 200/62.5 (27a) to the Horizontal Ledger VST (23a) using 1x Fitting Pin \varnothing 21 mm (9) and secure with Cotter Pin 4/1, galv.
8. Connect the second Diagonal Strut VST 200/62.5 (27b) to the Head Spindle VST 100 (28b) using 1x Fitting Pin \varnothing 21 mm (9) and secure with Cotter Pin 4/1, galv.
9. Connect the second Diagonal Strut VST 200/62.5 (27b) to the Horizontal Ledger VST (23a) using 1x Fitting Pin \varnothing 21 mm (9) and secure with Cotter Pin 4/1, galv. (Fig. B4.01c)

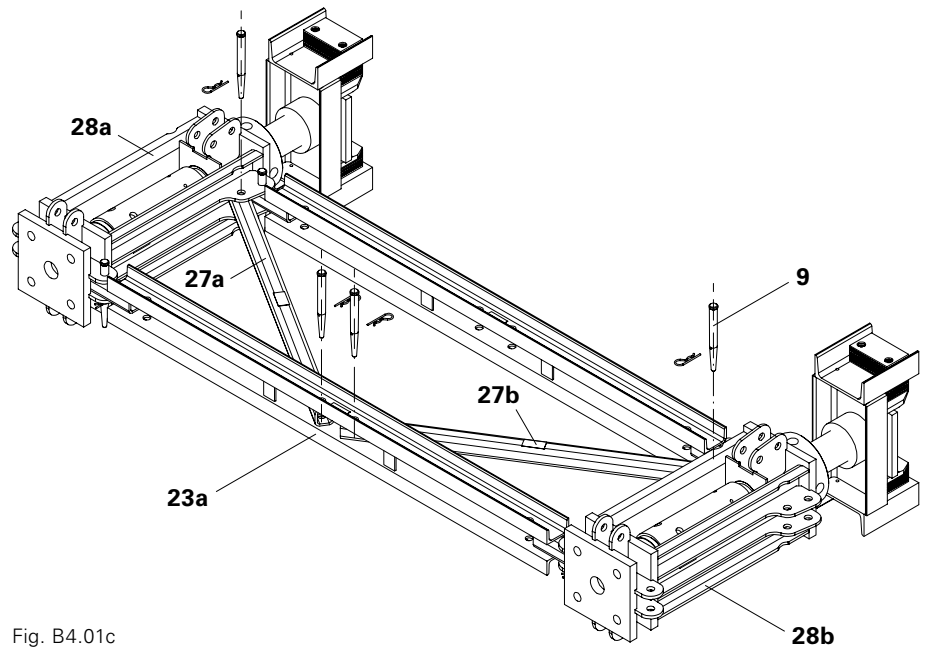


Fig. B4.01c

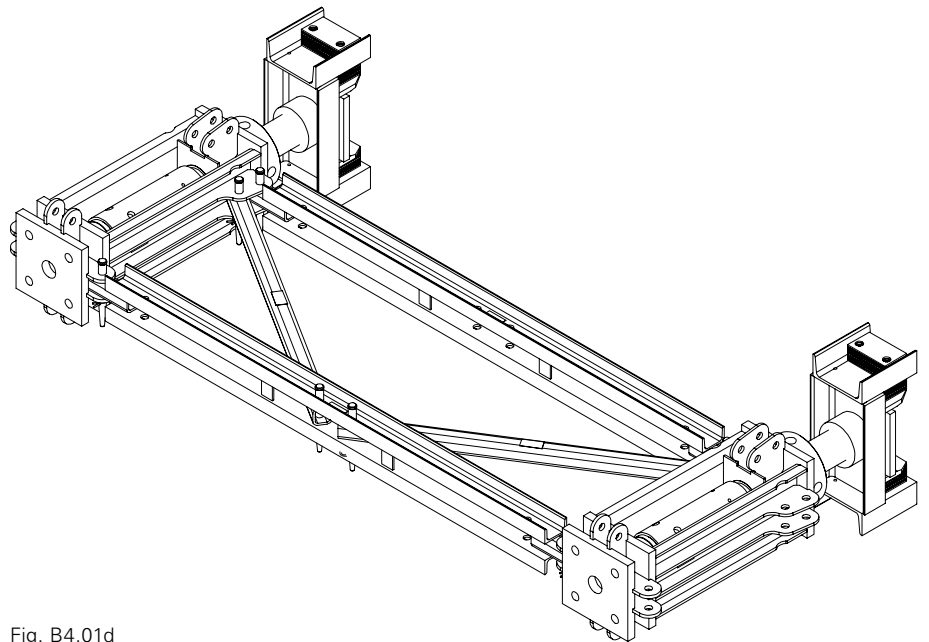


Fig. B4.01d

Adjusting the spacer plates of the Head Spindle VST 100



- The Head Spindle VST 100 (28) is adjustable for cross beam widths from 20 cm to 32 cm.
- For the centric position of the cross beam, the spacer plates are uniformly positioned on the two inner sides of the fork head.
- Follow Instructions for Use for the Hydraulic Head Spindle Device VST.

Adjusting the spacer plates

1. Loosen the four bolts of the fork head (28.1) by turning them counter-clockwise, and then remove.
 2. Remove spacer plates and adjust centering jaws by moving to width x of the cross beam.
 3. Fill the space between the centering jaws and fork head with the same number of spacer plates.
 4. Position remaining spacer plates (same number respectively) on the two outer sides of the fork head. Secure spacer plates using four bolts.
- The cross beam can now be positioned centrally on the Head Spindle VST 100.

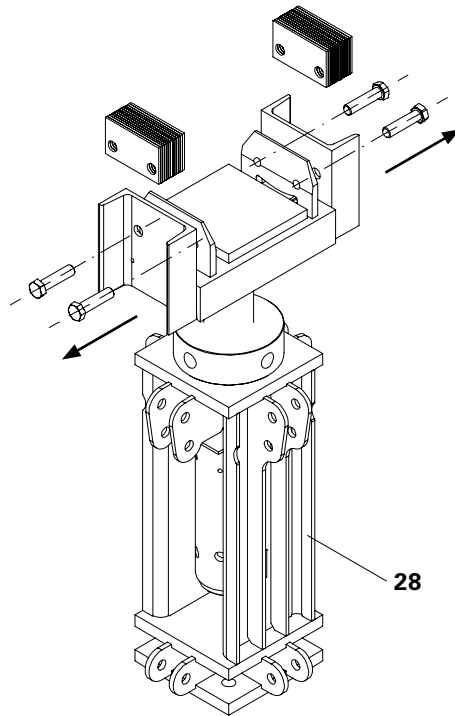


Fig. B4.02a

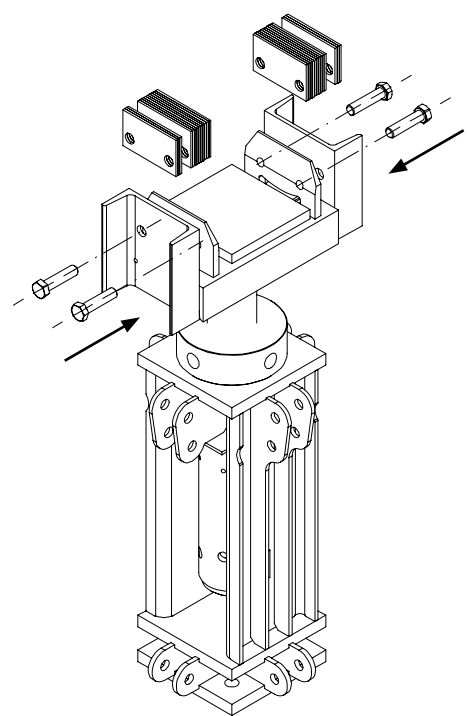


Fig. B4.02b

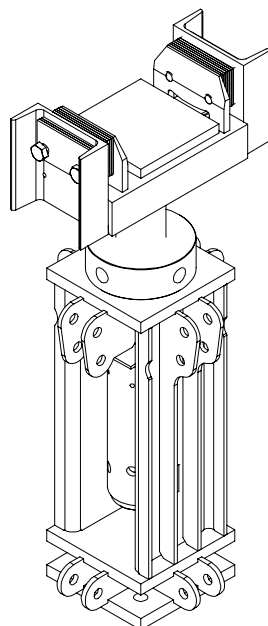


Fig. B4.02c

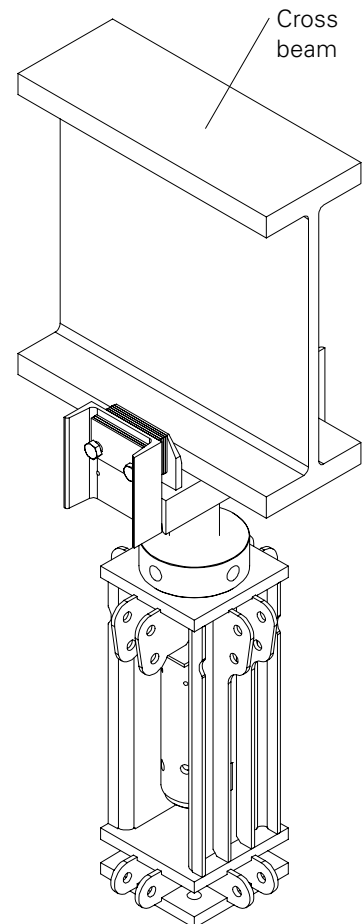


Fig. B4.02d

Tower assembly with VST components



- Persons are not allowed to remain under suspended loads.
- Temporary situations, e.g. with timbers, must be secured.



- For modules with a length of 5 m and more, a third Horizontal Ledger VST 200 (23) must be installed in order to prevent any deflection.
- For load-bearing capacities, see Section F2.

Preparation of the assembly

1. Attach the crane to the spacers.
2. On each side, connect 1x Horizontal Ledger VST 200 (23) to the Prop Bases VST 48 (17) and Prop Connectors VST 48 (21) by means of 1x Fitting Pin \varnothing 21 mm (9) respectively.
(Fig. B5.01)

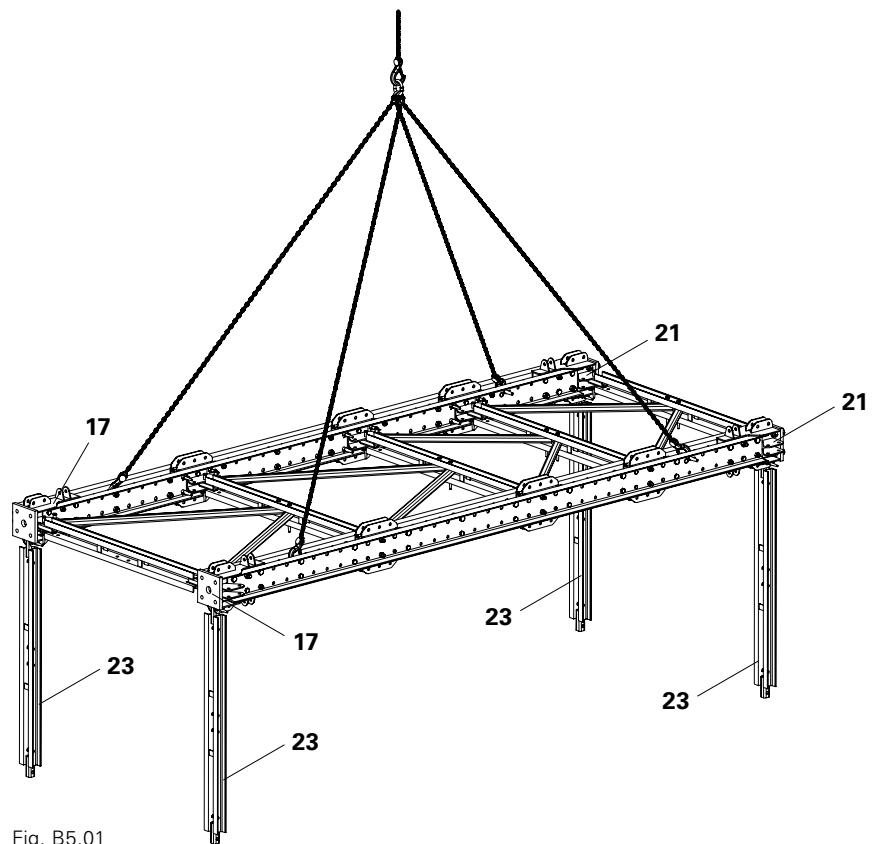
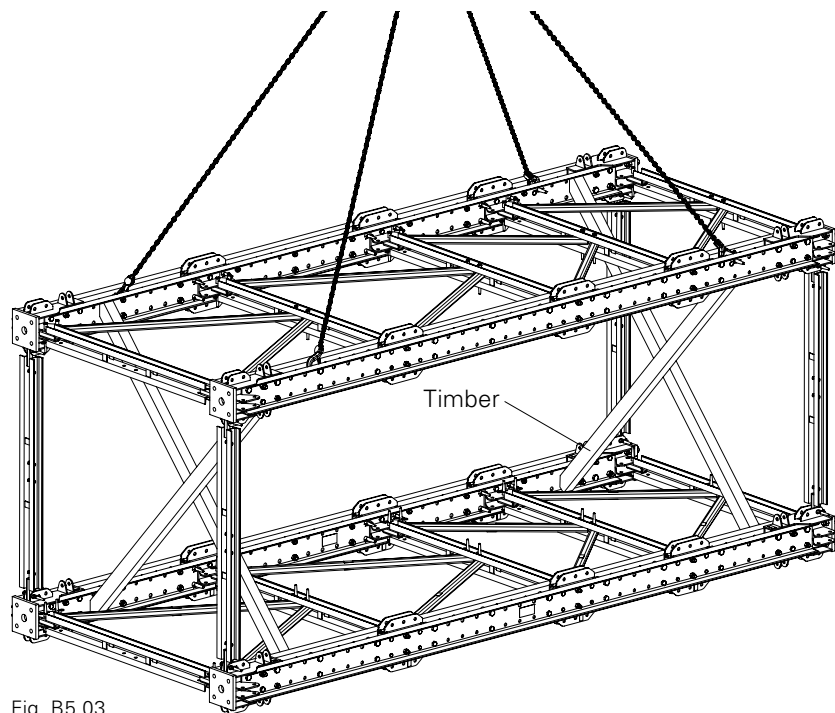
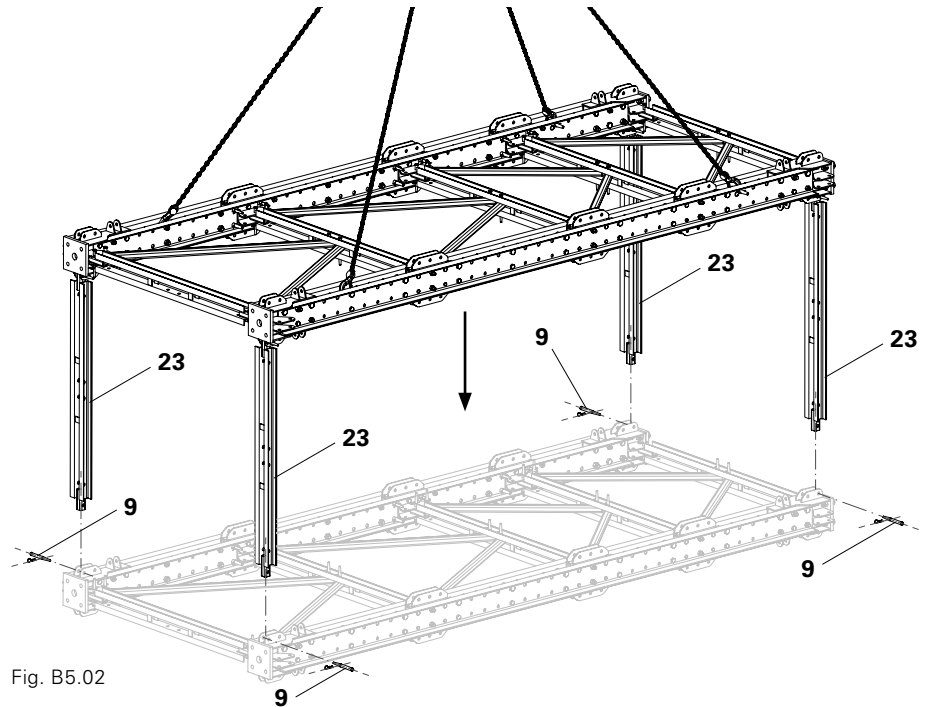


Fig. B5.01

Assembly

1. Move the suspended module with the same alignment over the second module.
2. Lower the module with the crane until the bottom Fitting Pins \varnothing 21 mm (9) can be mounted. (Fig. B5.02)
3. Connect the Horizontal Ledgers VST 200 (23) to the bottom module using 1x Fitting Pin \varnothing 21 mm (9) each. (Fig. B5.03)
4. Secure position, e.g. with timbers.





At least one Diagonal Strut VST (26) must always be installed per side before the crane lifting gear is removed.

Assembly of the Diagonal Strut VST

1. On each side, insert 1x Diagonal Strut VST (26)* into the Horizontal Ledger VST 200 (23).
2. Connect the Diagonal Strut VST (26) to the Bracing Connector VST (8) and Horizontal Ledger VST 200 (23) using 1x Fitting Pin \varnothing 21 mm (9) each. (Fig. B5.04)
3. Remove crane lifting gear from the spacers.

* Depending on the module size, other Diagonal Struts VST are to be used.

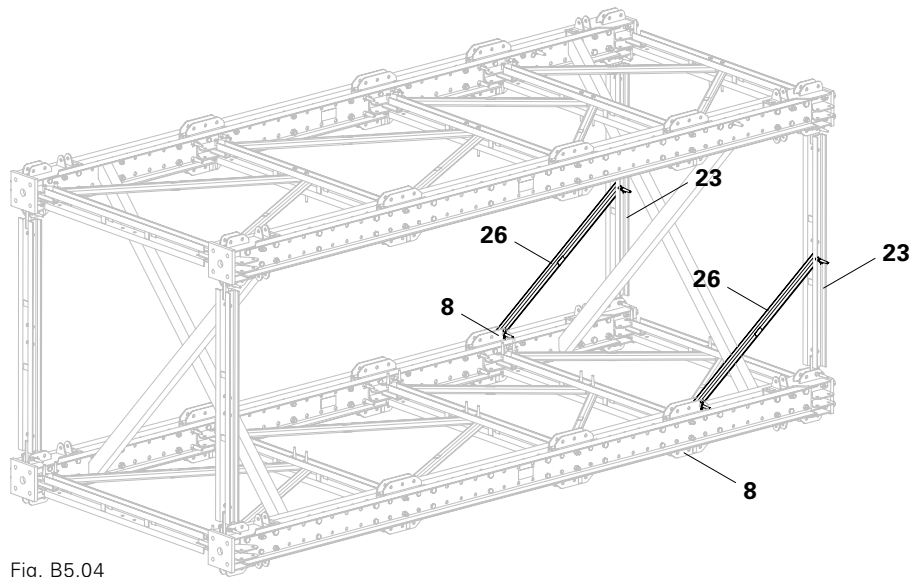


Fig. B5.04

Assembly of the Horizontal Ledgers

1. Connect the second Diagonal Strut VST (26)* to the Bracing Connector VST (8) and Horizontal Ledger VST 200 (23) using 1x Fitting Pin \varnothing 21 mm (9) each.
2. Install the required Horizontal Ledgers VST 200 (23). (Fig. B3.05) (see Section B3)

* Depending on the module size, other Diagonal Struts VST are to be used.

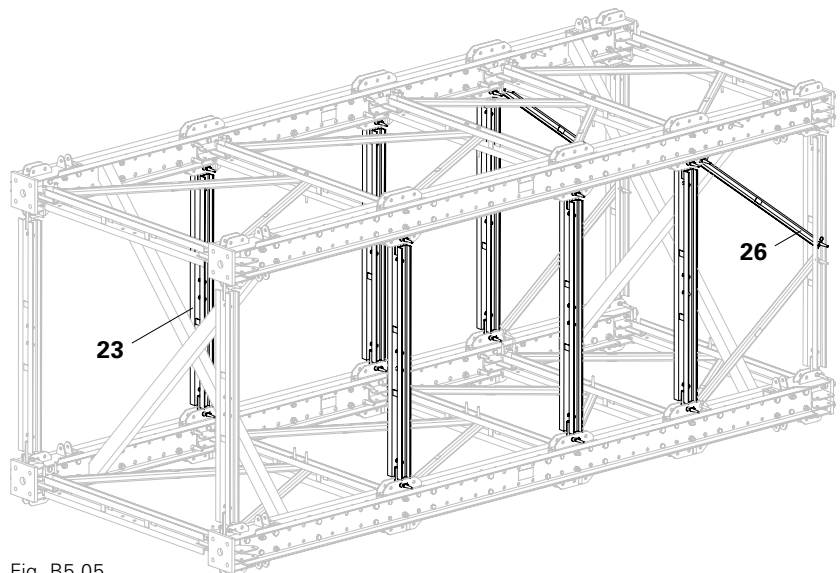


Fig. B5.05

Assembly of the Diagonal Struts

1. Install the required number of Diagonal Struts VST. (Fig. B5.06) (see Section B3)
2. Remove timbers.

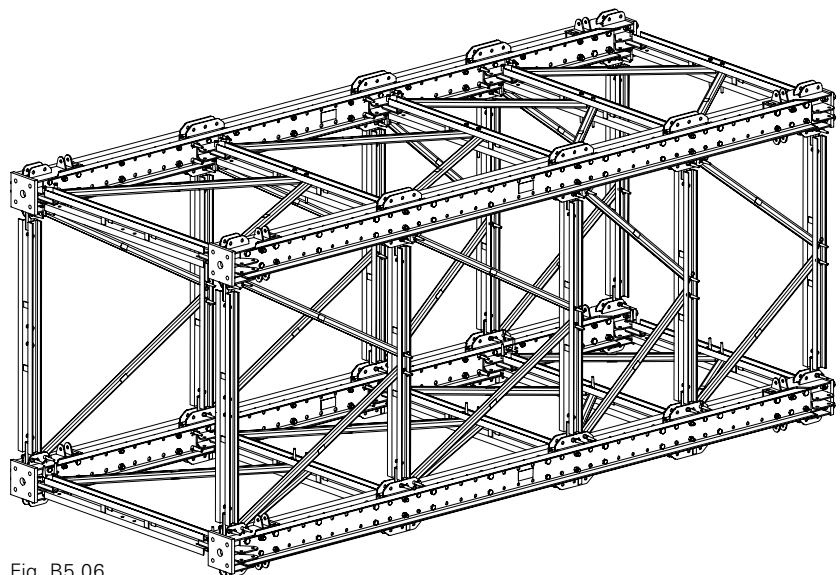


Fig. B5.06

Tower assembly with SLS Spindles



- Persons are not allowed to remain under suspended loads.
- Temporary situations, e.g. with timbers, must be secured.



Adjust the required length on all four spindles according to the spacing of the legs.



- For modules with lengths of 5 m and more, a third Heavy-Duty Spindle SLS (30) must be installed in order to prevent any deflection.
- For load-bearing capacities, see Section F2.

Preparation of the assembly

1. Attach the crane lifting gear to the spacers.
2. Connect 2x Heavy-Duty Spindles SLS (30) each to the Prop Bases VST 48 (17) and Prop Connectors VST 48 (21) by means of 1x Fitting Pin \varnothing 21 mm (9) each. (Fig. B5.07)

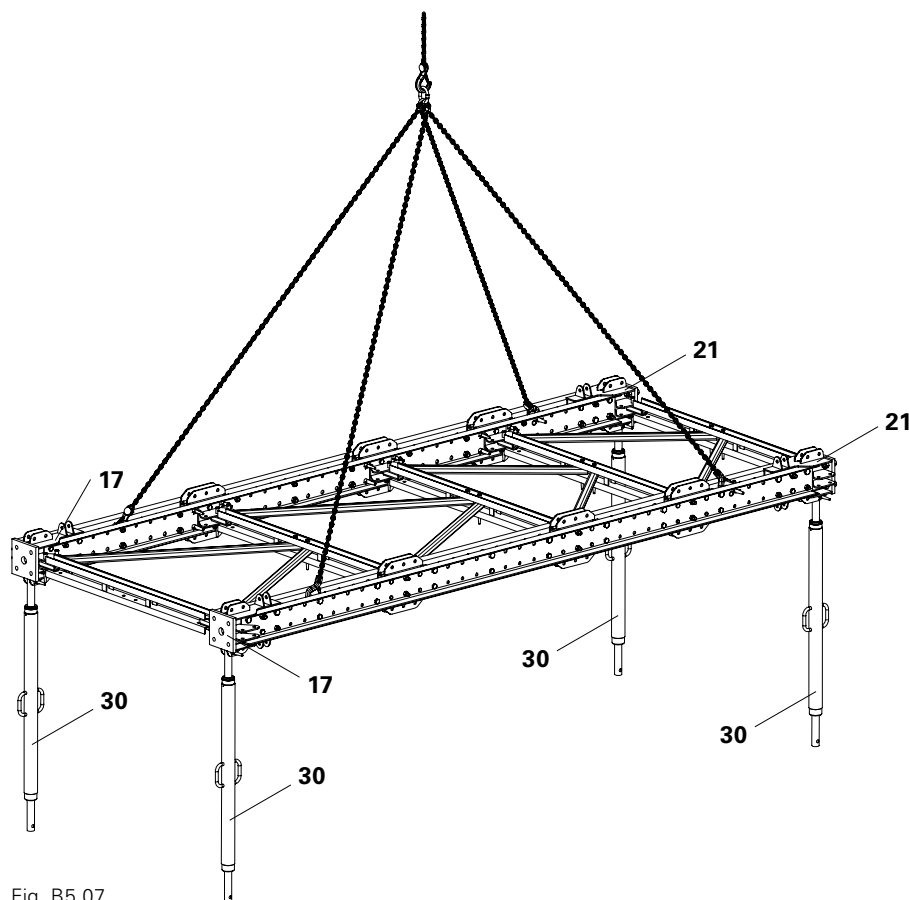
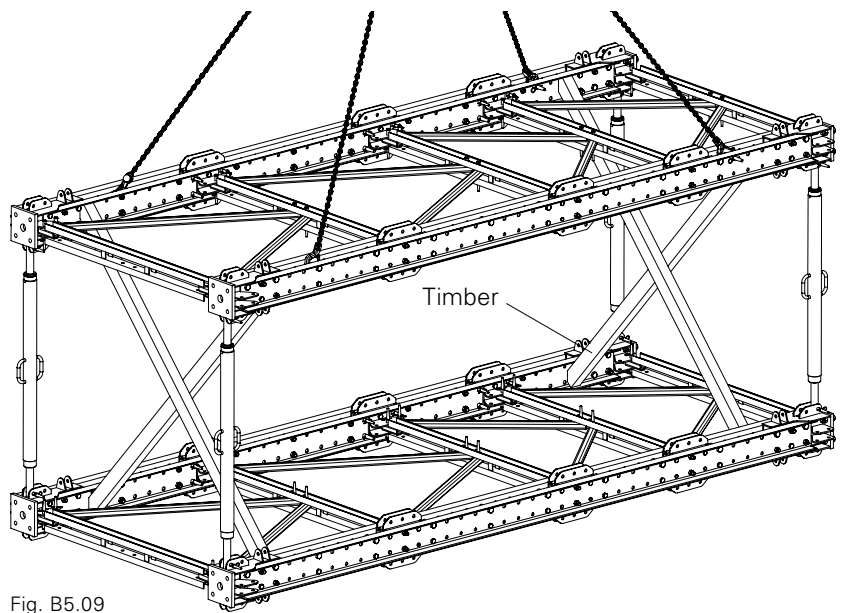
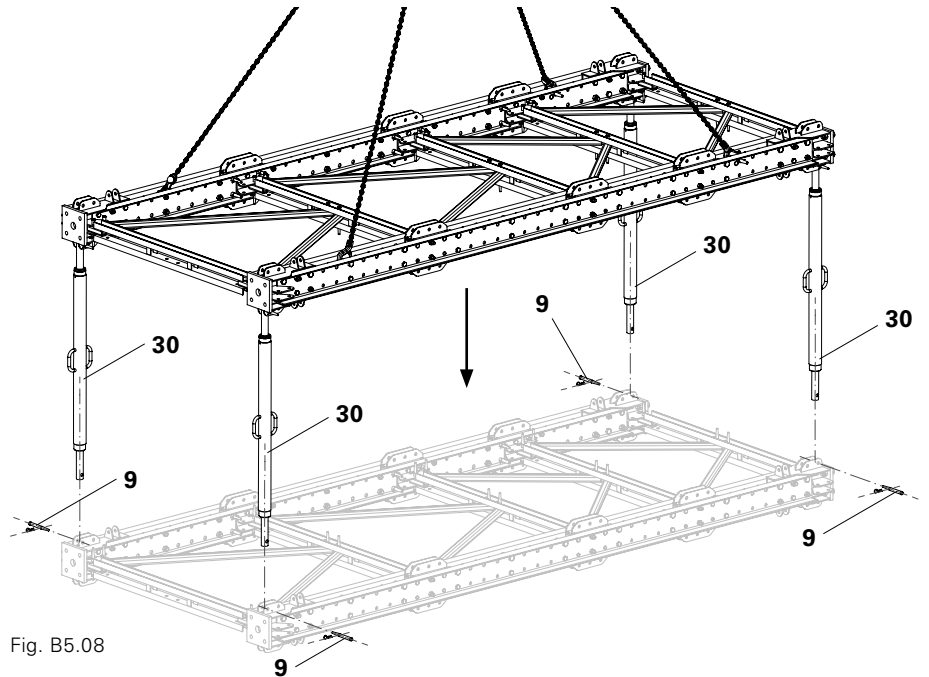


Fig. B5.07

Assembly

1. Move the suspended module with the same alignment over the second module.
2. Lower the module with the crane until the bottom Fitting Pins \varnothing 21 mm (9) can be mounted. (Fig. B5.08)
3. Connect the Heavy-Duty Spindles SLS (30) to the bottom module using 1x Fitting Pin \varnothing 21 mm (9) each.
4. Secure position, e.g. with timbers. (Fig. B5.09)





At least one Heavy-Duty Spindle SLS must always be installed per side as a diagonal before the crane lifting gear is removed.

Assembly of the supporting Heavy-Duty Spindles SLS

1. Insert the appropriate Heavy-Duty Spindle SLS (30) into the connection of the Prop Base VST 48 (17).
2. Connect the Heavy-Duty Spindle SLS (30) to the Bracing Connector VST (8) and Prop Base VST 48 (17) by means of 1x Fitting Pin \varnothing 21 mm (9) each. (Fig. B5.10)
3. Remove crane lifting gear from the spacers.

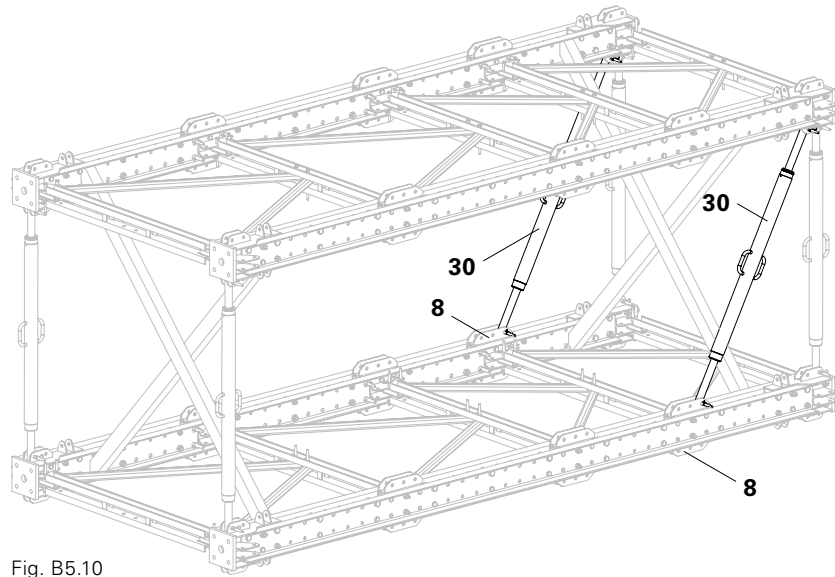


Fig. B5.10

Assembly of the Heavy-Duty Spindles SLS

1. Install the required number of Heavy-Duty Spindles SLS (30) using Fitting Pins \varnothing 21 mm (9). (Fig. B5.11)
2. Remove timbers.

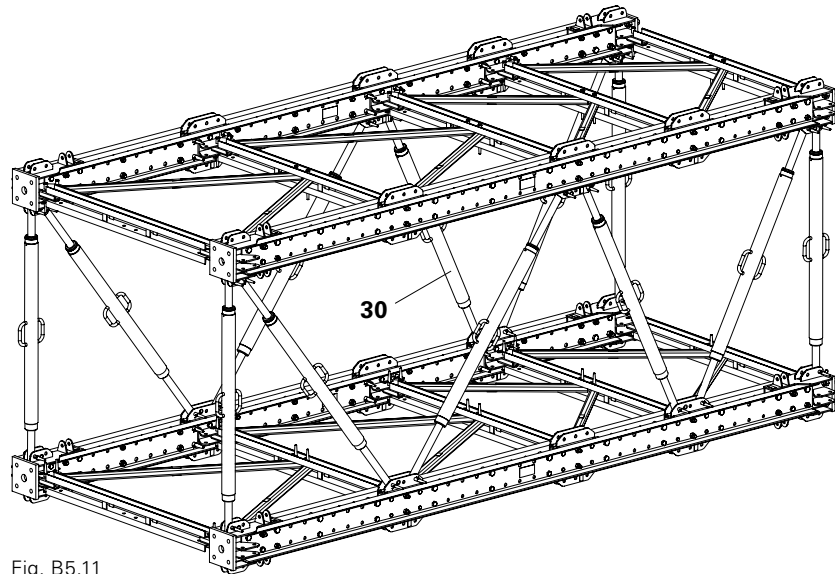


Fig. B5.11



Prior to assembly, stability of the module must be guaranteed.

Mounting the Connector UP-VST

1. Insert 1x Connector UP-VST (38a) from below into the Horizontal Ledger VST 200 (23a) as a horizontal bearing on the left and right.
2. Secure Connectors UP-VST (38) with Fitting Pins \varnothing 21 mm (9) or PERI Wedge K (40). (Fig. B6.01a + B6.01b)
3. Insert 1x Connector UP-VST (38b) laterally into the Horizontal Ledger VST 200 (23b) as a vertical bearing on the left and right.
4. Secure Connectors UP-VST (38) with Fitting Pins \varnothing 21 mm (9) or PERI Wedge K (40). (Fig. B6.01a + B6.01b)

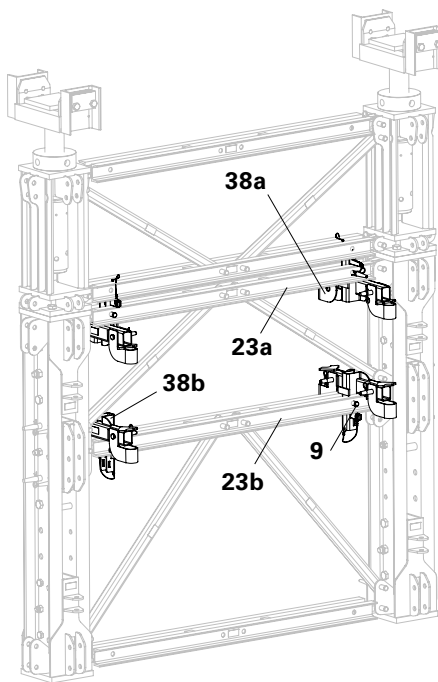


Fig. B6.01a

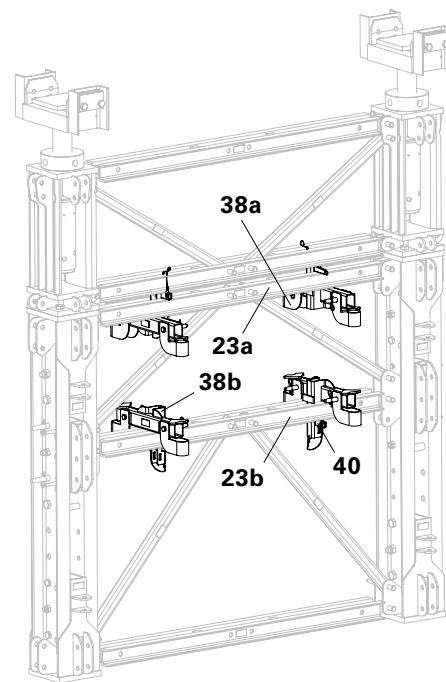


Fig. B6.01b

Installation of the Standard UVR

1. Place Standard UVR 300 (46.1) (for VST 175: Standard UVR 150 (46.2)) with the rosette on the Connector UP-VST (38).
2. Mount retaining lug (38.1) to the bottom Connector UP-VST (38) using Bolts \varnothing 20 x 140 (39) and secure with Cotter Pins 4/1, galv.
3. Mount retaining lug (38.1) to the top Connector UP-VST (38) using Bolts \varnothing 20 x 140 (39) and secure with Cotter Pins 4/1, galv.



Here, the rosette has to rest on the Connector UP-VST (38) in order to safely transfer the forces. (Fig. B6.02a)

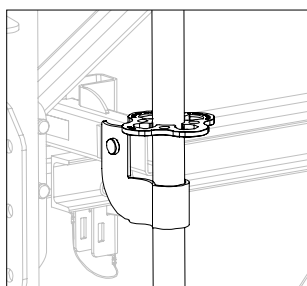


Fig. B6.02a

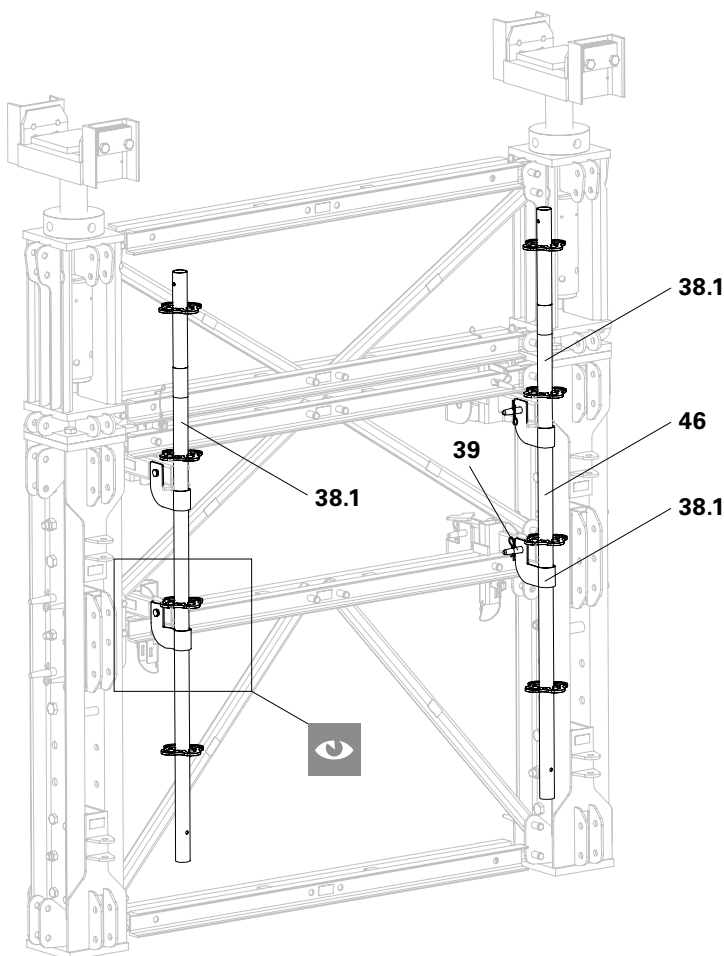


Fig. B6.02

VST Heavy-Duty Shoring Tower

Instructions for Assembly and Use – Standard Configuration

Installation of the Ledger UH 150

1. Install the required Ledgers UH 150 (47) between the Standards UVR (46).

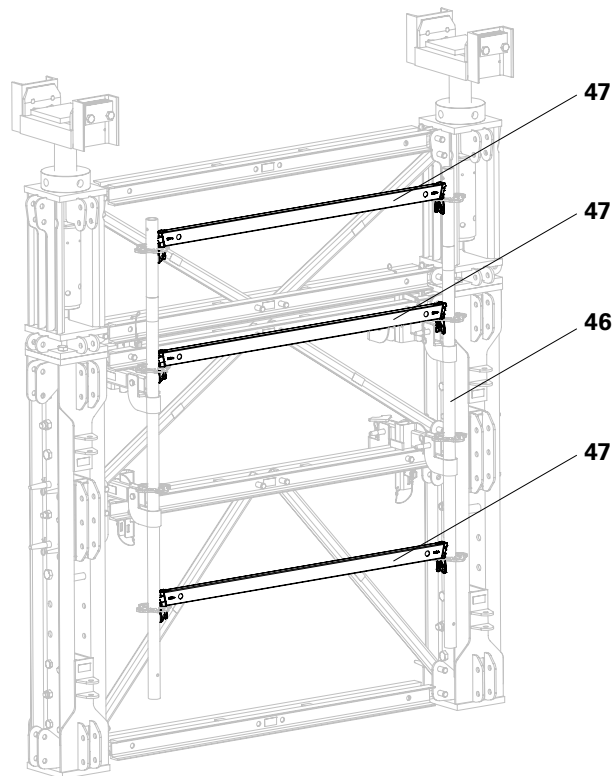


Fig. B6.03



- Project-specific planning is always required for the working platforms.
- Follow the Instructions for Assembly and Use for the PERI UP Rosett 72.

Installing the platform

1. Installation of the required brackets and standard components of the PERI UP system.

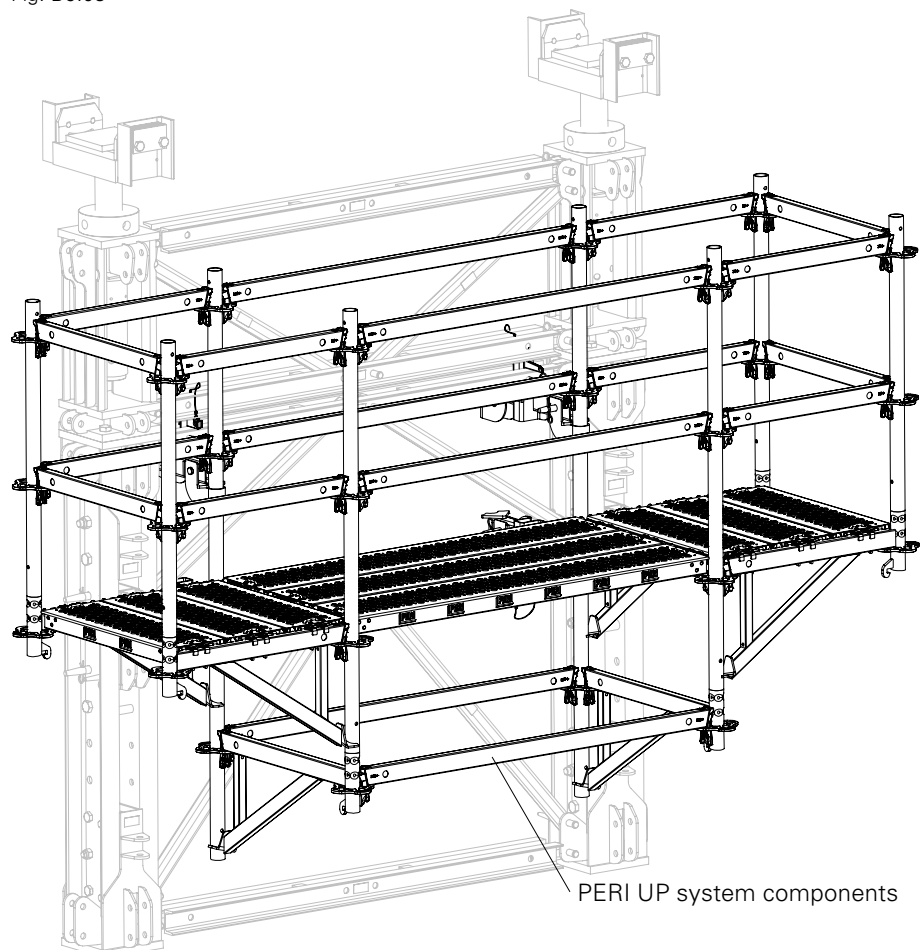


Fig. B6.04



- Observe the information on attaching lifting gear in Section F4.
- Use textile lifting gear with sufficient load-bearing capacity.
- When erecting the tower, ensure that no persons remain in the area of risk.
- Persons are not allowed to remain under suspended loads.
- Only one tower segment may be moved at any one time.



- For the installation, a crane or other lifting device as well as a level assembly surface is required.
- Intermediate states are to be correctly secured by means of temporary supports to prevent any tipping over.
- Provide sufficient space for intermediate storage.
- Additional assembly plans are required.
- For assembly, the use of lifting platforms or mobile scaffolds is recommended.
- In individual cases, the use of personal protective equipment may be necessary.

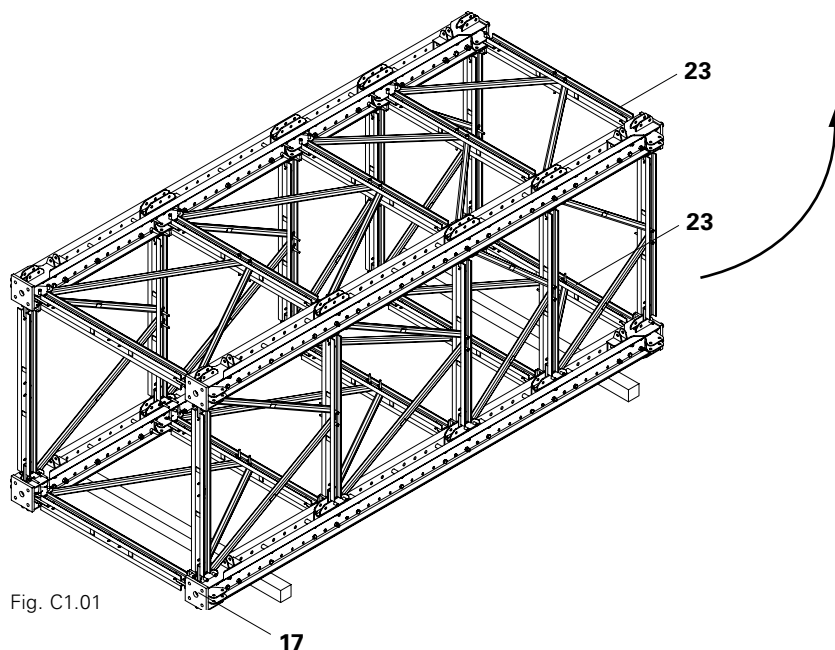


Fig. C1.01

Attaching to the crane

1. Attach lifting gear to the tower (see Section F4).
2. Use the crane to tilt the tower over the Prop Base VST 48 (17).

Erecting the tower

1. Slowly erect the tower until it is vertically positioned.



Use a rope to guide the tower.

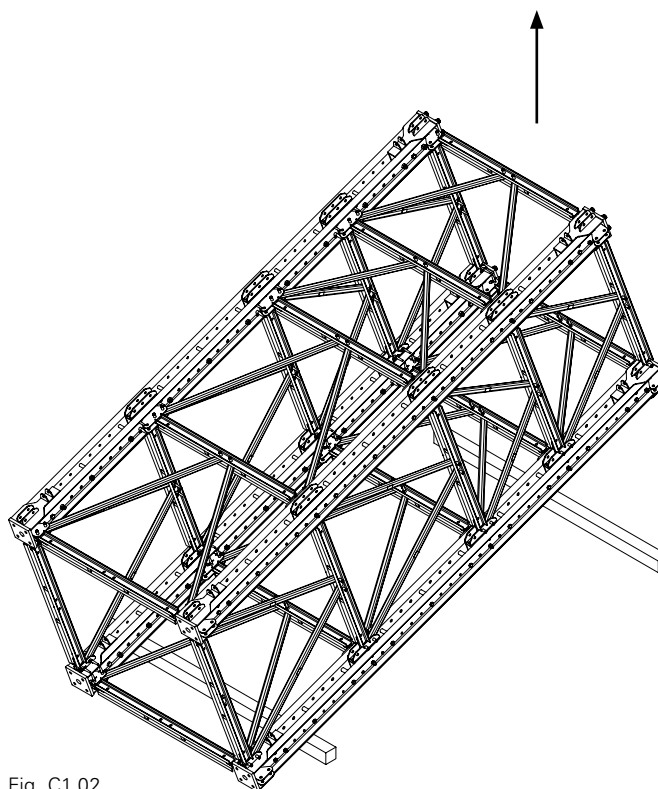


Fig. C1.02

Moving the tower



- Check that the foundation is level and sufficiently load-bearing before lowering the tower.
- Any unevenness must be corrected by using cement grouting which has the same quality as the concrete. (see Section C3)

1. Lift the tower and set down on its designated position. (Fig. C1.02a)
2. Place the construction on the foundation and install anchors. (see Section C3)
3. Release tower from crane lifting gear.

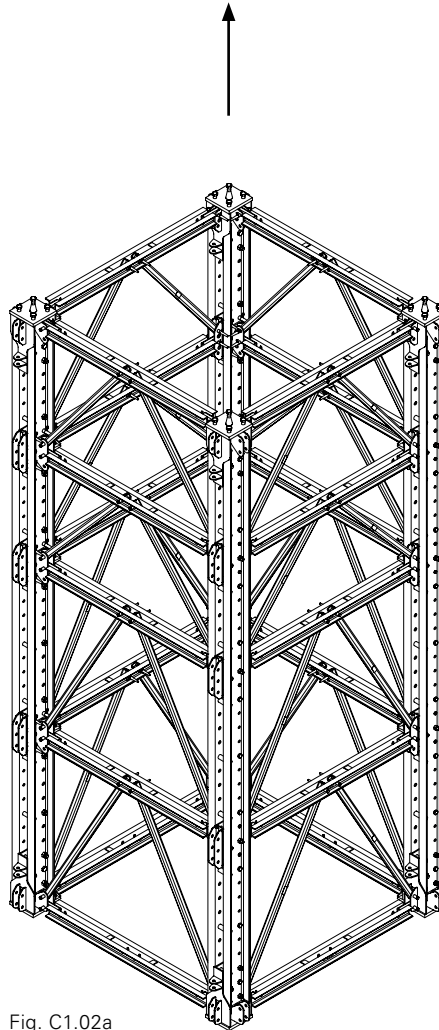


Fig. C1.02a

Positioning on an existing tower



Crushing hazard, keep a safe distance.



The towers centre themselves through the spigots of the Prop Connectors VST 48 (21).

1. Place tower on existing tower. (Fig. C1.02b)
2. Connect the supporting elements on all legs using four bolts each of the individual Prop Connectors VST 48 (21).
3. Release tower from the crane lifting gear.

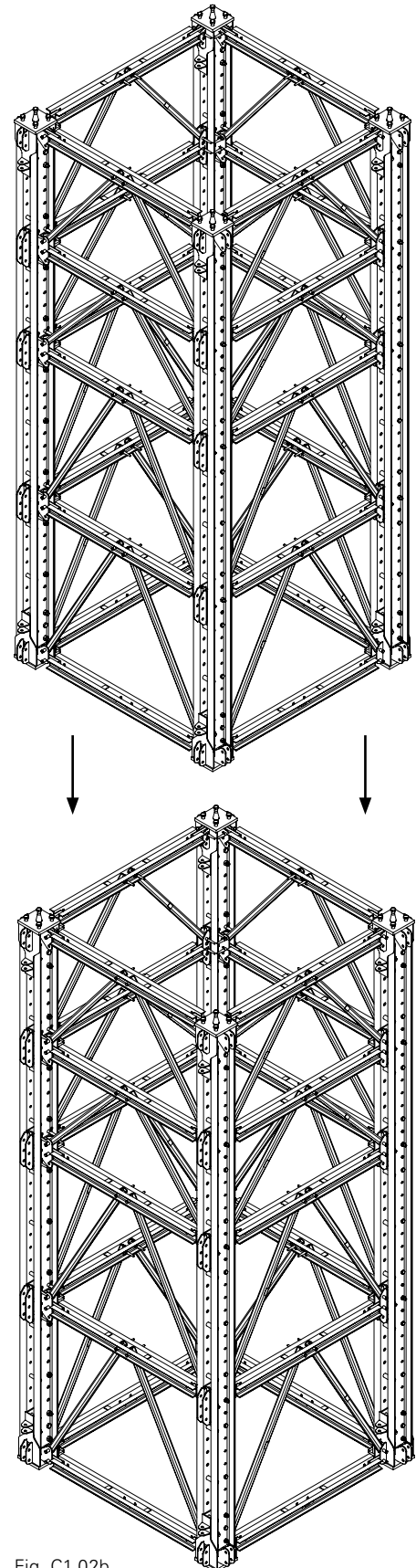


Fig. C1.02b



- Observe the information on attaching lifting gear in Section F3.
- Use textile lifting gear with sufficient load-bearing capacity.
- When erecting the module, ensure that no persons remain in the area of risk.
- Persons are not allowed to remain under suspended loads.
- Only one module may be moved at any one time.

Attaching to the crane

1. Attach lifting gear to the module (see Section F3).
2. Use the crane to tilt the module over the Prop Base VST 48 (17).



Use a rope to guide the tower.

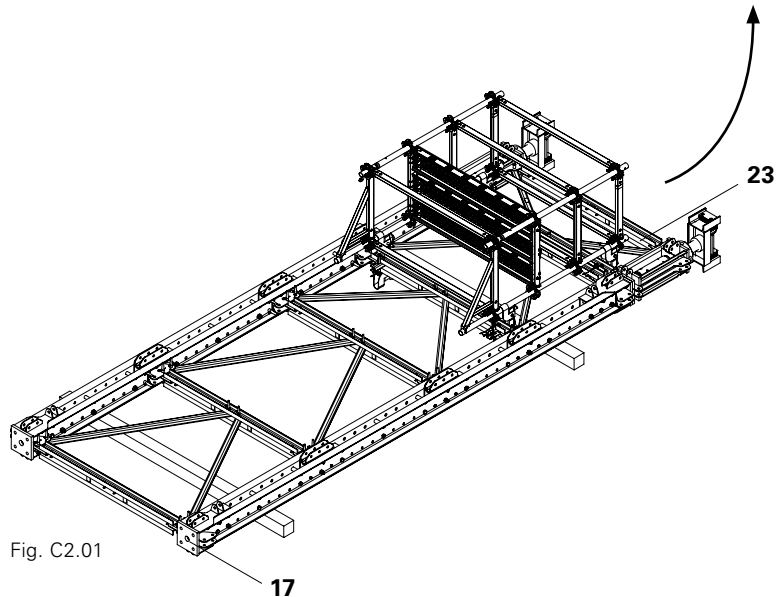


Fig. C2.01

Erecting the tower

1. Slowly erect the module until it is vertically positioned.
2. Lift the module and set it down on its designated position.

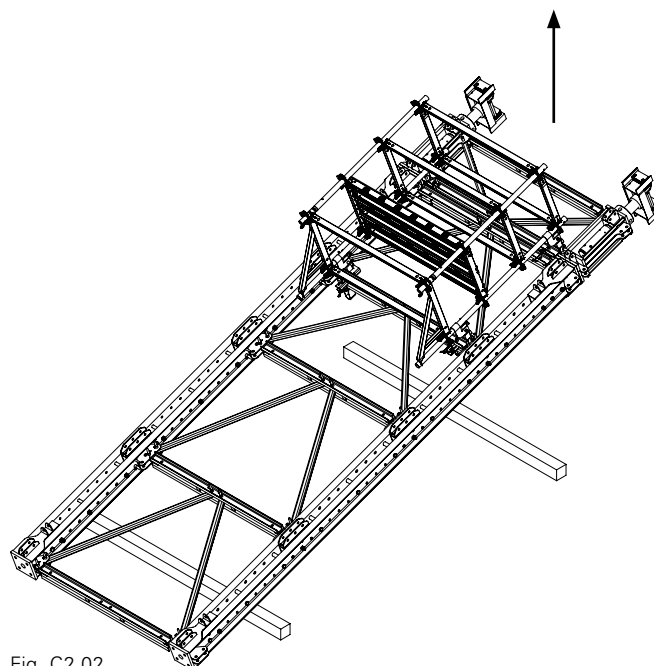


Fig. C2.02

Installation in front of abutment / piers



- Only access a working platform when the module has been anchored and secured.
- Assembly work must be carried out from a safe position.



- Anchor the module to the foundation. (see Section C3)
- In order to keep the module in a horizontal position, the anchor holes on the abutment/pier can be used, e.g. with Steel Waler SRU U120 (48) and Heavy-Duty Spindle SLS (30). (Fig. C2.03)
- Observe the project-specific planning of the access points.

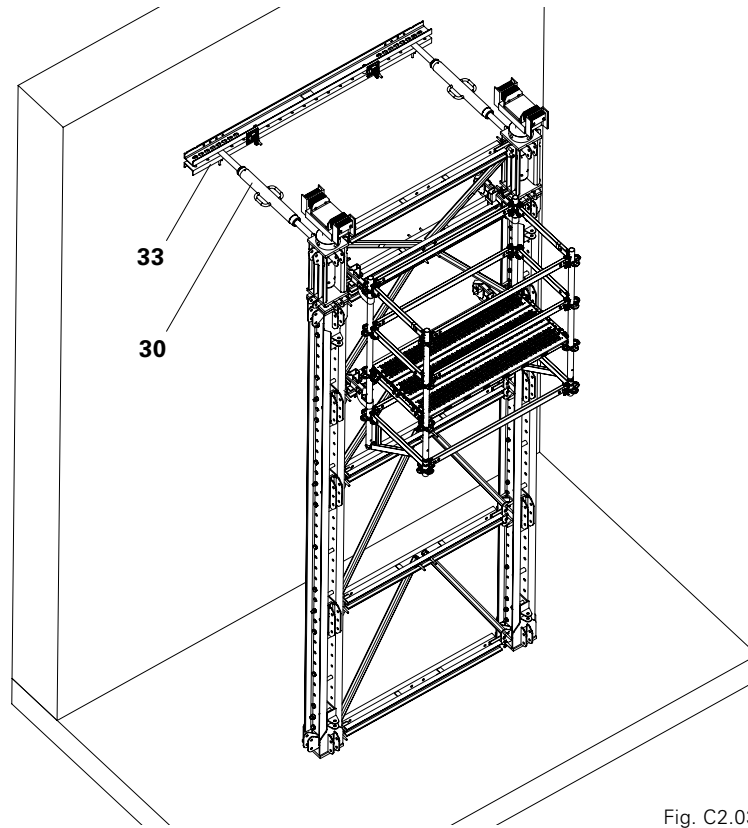


Fig. C2.03

Securing on the foundation



- Anchor the module to the foundation. (see Section C3)
- Secure the module to the foundation using a Heavy-Duty Spindle SLS (30).
- If module anchorage for the foundation is available, one Heavy-Duty Spindle SLS (30a) in the bottom third is sufficient.
- If no module anchorage for the foundation is available, the Heavy-Duty Spindle SLS (30b) must be mounted on the Bracing Connector VST (8) in the top third.

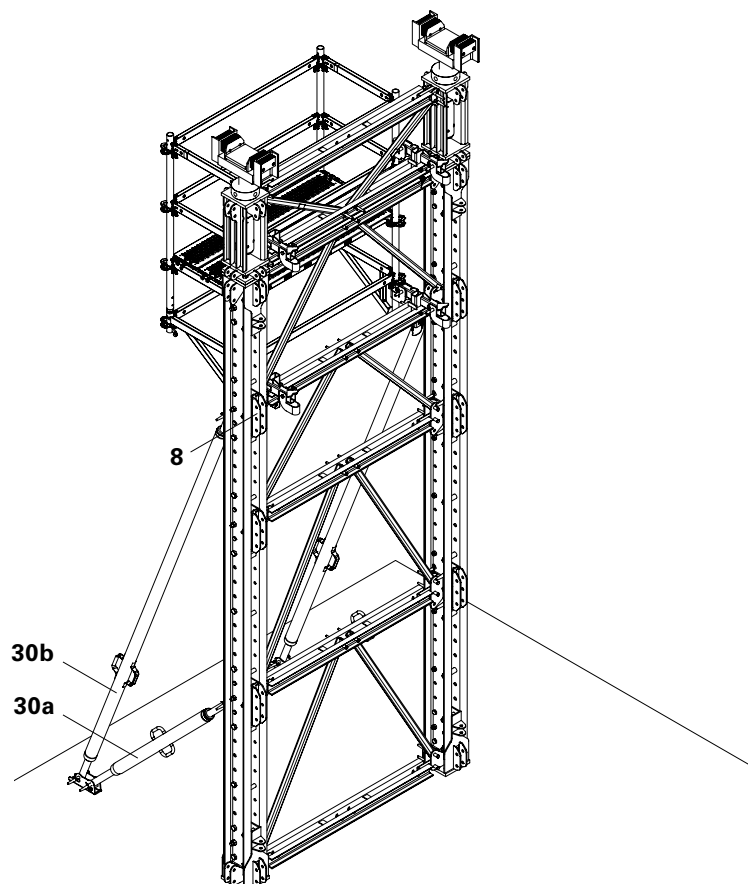


Fig. C2.04



Observe the project-specific planning.

Installation of a second module

1. Lift the second module and set it down on its designated position (see Section F3).
2. If required, anchor the module to the foundation.



Use a rope to guide the tower.

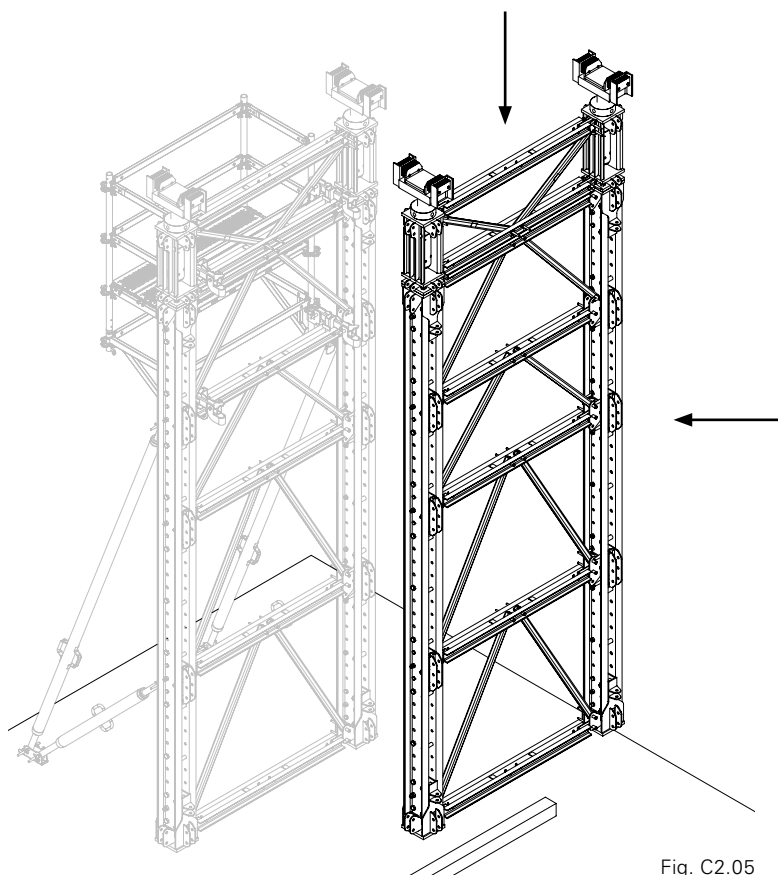


Fig. C2.05



Assembly work must be carried out from a safe position.

Securing of the second module

1. Mount the horizontal Heavy-Duty Spindles SLS (30a) on the Prop Connector VST 48 (21) and adjust the spacing between the modules.
2. Install one Heavy-Duty Spindle SLS (30b) as a diagonal strut for bracing the tower.
3. Detach crane lifting gear.

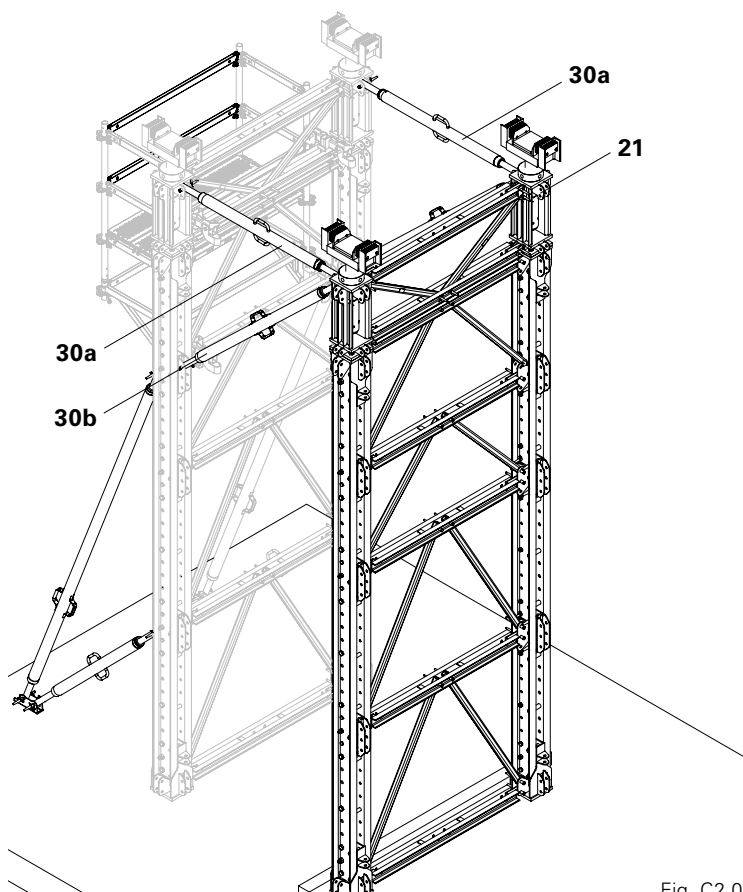


Fig. C2.06



Assembly work must be carried out from a safe position.

Bracing the tower

1. Installation of the statically required Heavy-Duty Spindles SL (30) for bracing the tower.

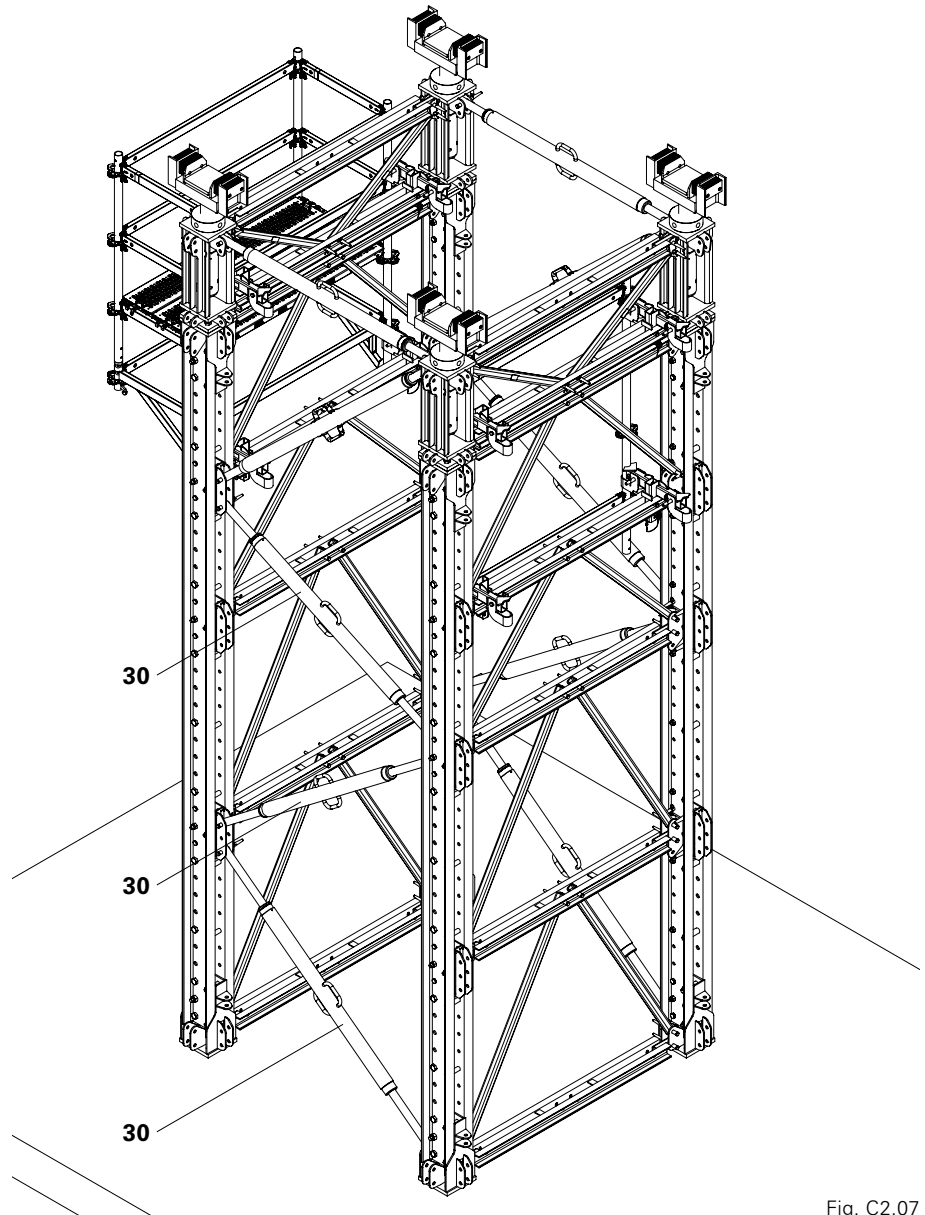


Fig. C2.07



- Components must have sufficient load-bearing capacity.
- Follow the manufacturer's instructions.



- In order to achieve a full-surface contact between the foundation and the Prop Base VST 48 (17), the gap must be completely filled with non-shrinkable cement grouting.
- The quality of the cement grouting must correspond to the quality of the concrete.
- Project-specific verification is required.

Version 1

- Anchoring the module with Tie Rod DW 15 (50) and Cam Nut DW 15 (51).
- The number of anchors must be statically calculated.

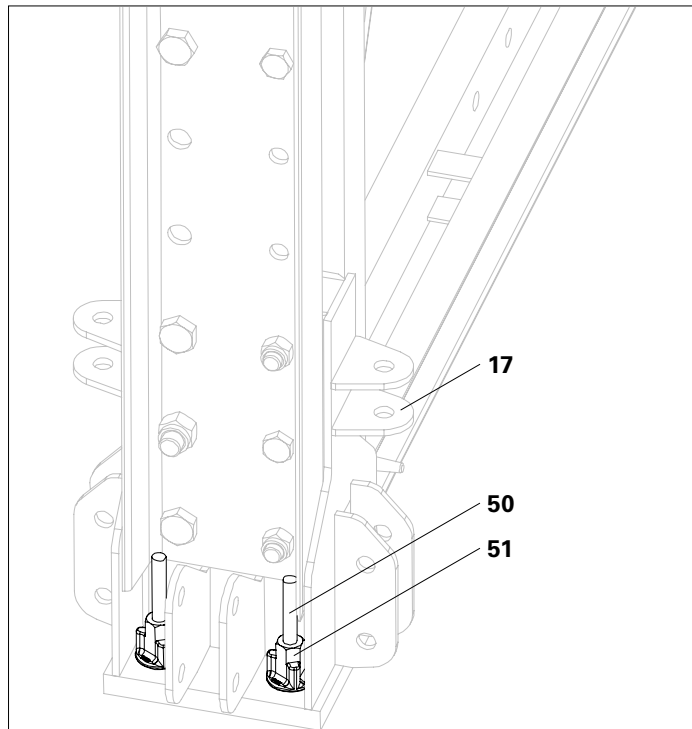


Fig. C3.01

Version 2

- Anchoring the module with Tie Rod DW 26 (53), Counterplate DW 26 (54) and Hex. Nut DW 26 SW 46/80, weldable (55).

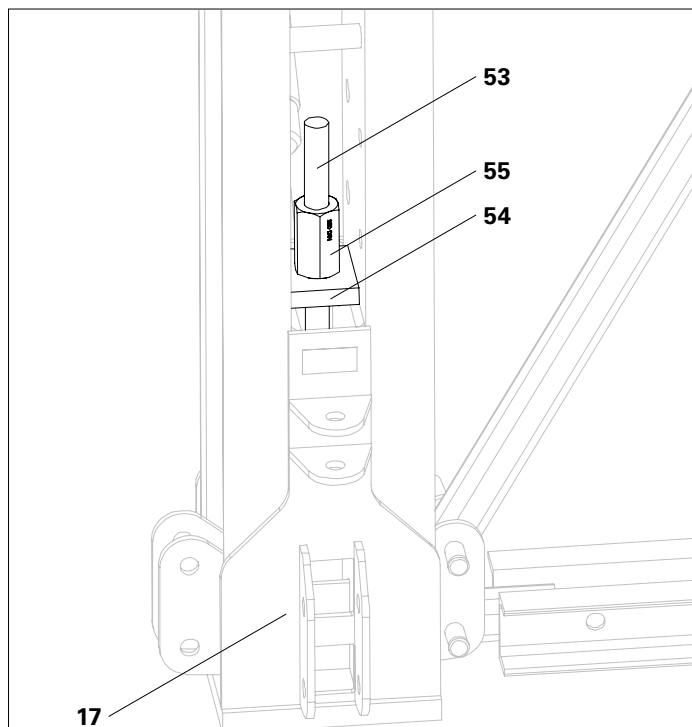


Fig. C3.03

D1 Height adjustment (± 140)



- Follow Instructions for Use for the Hydraulic Head Spindle Device VST.
- Lowering is carried out from a safe working position.
- Project-specific lifting and lowering plans are to be observed.
- Crushing hazard when lowering.
- The maximum spindling length must not exceed 1138 mm measured from the base plate of the head spindle to the top edge of the bearing plate.

Manual adjustment



For all procedures, follow Instructions for Use for the Hydraulic Head Spindle Device VST.



One complete turn of the spindle nut results in a height adjustment of 12 mm.

1. Insert the Mounting Shaft VST (29) into the spindle nut (28.1). (Fig. D1.01)
2. Turn the Mounting Shaft VST (29) in a clockwise direction in order to spindle out the spindle head. (Fig. D1.02)

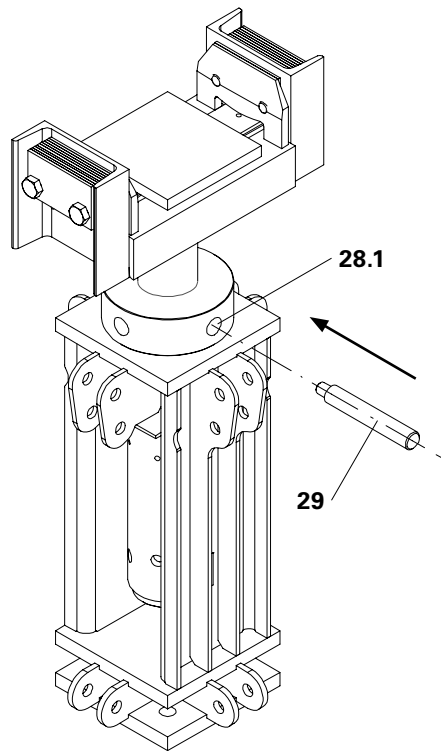


Fig. D1.01

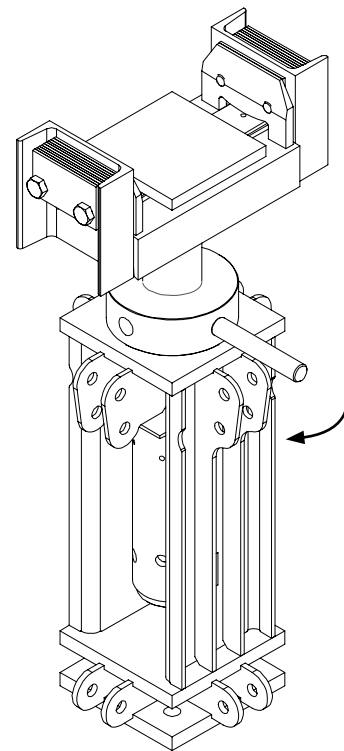


Fig. D1.02

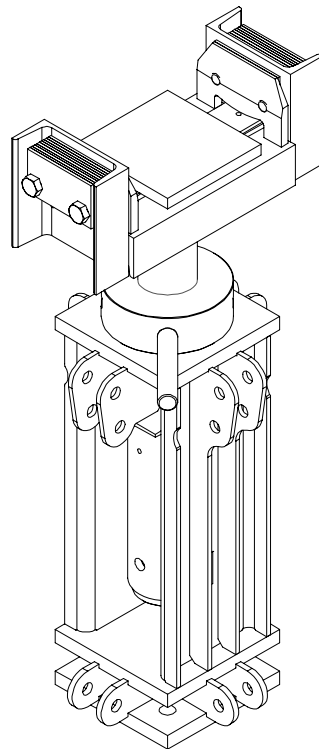


Fig. D1.03

D1 Height adjustment (± 140)

Adjustment with the hydraulic cylinder



With the hydraulic cylinder, lifts of max. 10 mm per step are possible.

Lifting

1. Insert the hydraulic cylinder (43.4) into the Head Spindle VST 100 (28).
2. Insert the Mounting Shaft VST (29) into the spindle sleeve (28.3). (Fig. D1.05)
3. Turn the spindle sleeve (28.3) with Mounting Shaft VST (29) in a clockwise direction until it rests against the hydraulic cylinder (43.4). (Fig. D1.06)
4. Lift the spindle with hydraulic cylinder (43.4).
5. Insert the Mounting Shaft VST (29) into the spindle nut (28.1). (Fig. D1.07)
6. Turn the Mounting Shaft VST (29) in a clockwise direction until the spindle nut (28.1) rests on the head plate.
7. Lower the hydraulic cylinder (43.4). (Fig. D1.08)
8. Repeat the procedure until the required height has been reached.

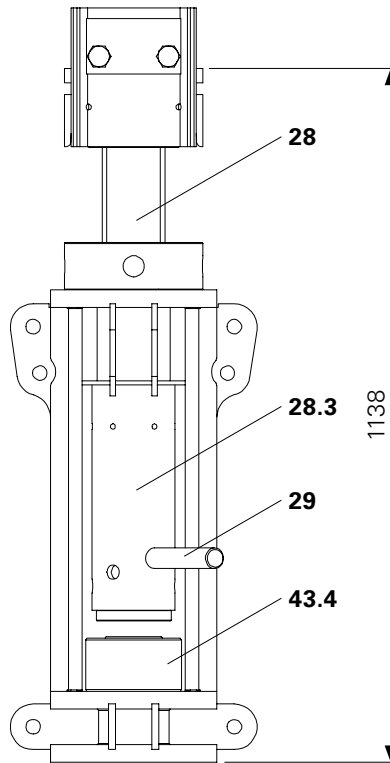


Fig. D1.05

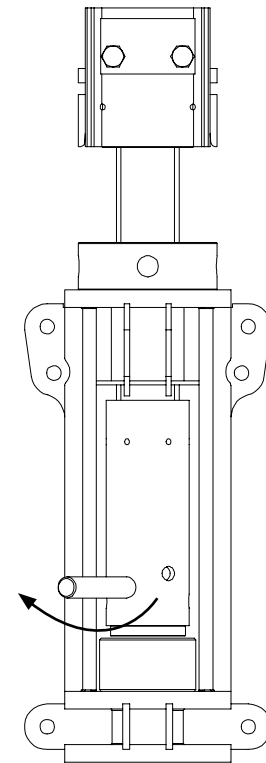


Fig. D1.06



Holes (28.4) in the spindle sleeve (28.3) serve as a visual check. When the thread is visible through these holes, the Head Spindle VST 100 (28) is within the permissible range. If this is not the case, appropriate measures must be taken in order to establish the permissible state.

Suitable measures include, e.g.
– Installation of Height Adjusts VST.

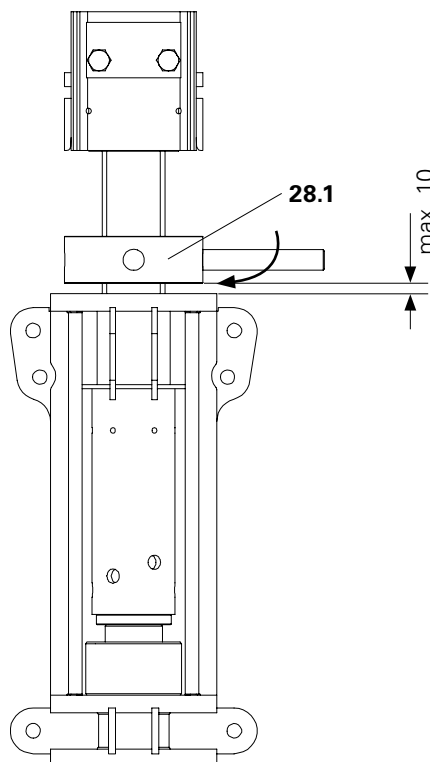


Fig. D1.07

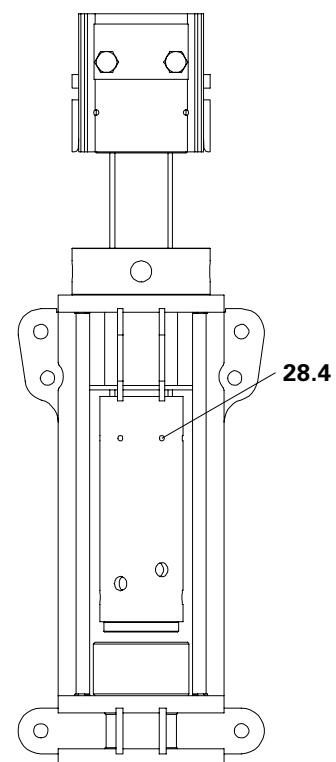


Fig. D1.08

D2 Lowering procedure



- Follow Instructions for Use for the Hydraulic Head Spindle Device VST.
- Lowering is carried out from a safe working position.
- Project-specific lifting and lowering plans are to be observed.
- Crushing hazard when lowering.

Lowering with the hydraulic cylinder

1. Insert the Mounting Shaft VST (29) into the spindle sleeve (28.3).
2. Lower the spindle sleeve (28.3) with Mounting Shaft VST (29) until a 13 mm spacing is between the spindle sleeve (28.3) and hydraulic cylinder (43.4). (Fig. D2.01)
3. Completely extend the hydraulic cylinder (43.4) until the spindle nut (28.1) can freely move. (Fig. D2.02)
4. Insert the Mounting Shaft VST (29) into the spindle nut (28.2).
5. Turn the spindle nut (28.1) with Mounting Shaft VST (29) until there is a 10 mm spacing to the head plate. (Fig. D2.03)
6. Lower the hydraulic cylinder (43.4).

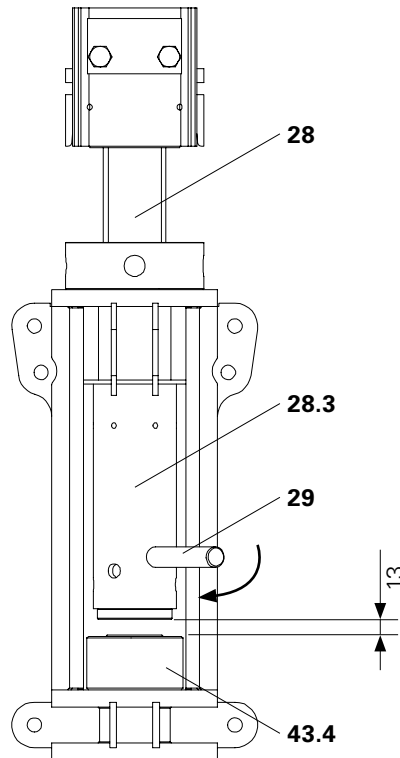


Fig. D2.01

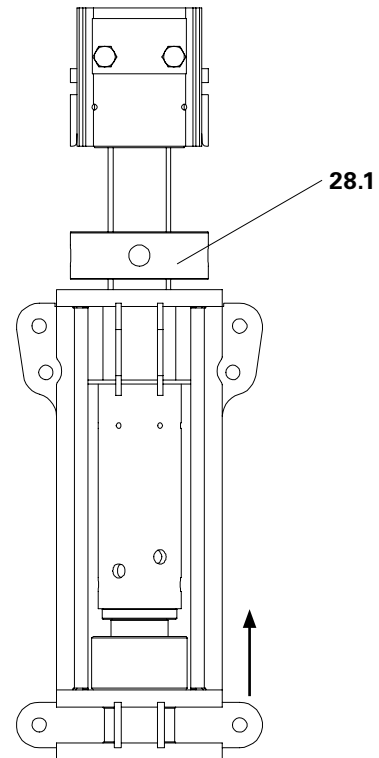


Fig. D2.02



After the procedure, the spindle sleeve (28.3) must be able to move freely. If this is not the case, the spacing between the spindle nut (28.1) and the head plate is too large. In this case, lift the spindle and adjust the spindle nut (28.1) accordingly.

7. Repeat the procedure until the planned lowering range is reached.

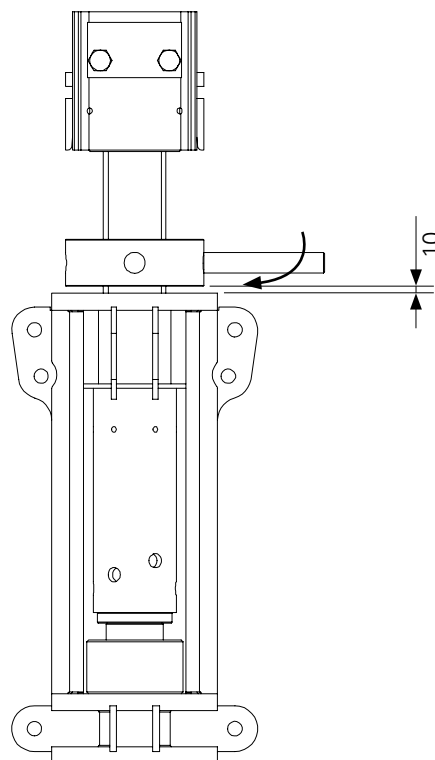


Fig. D2.03

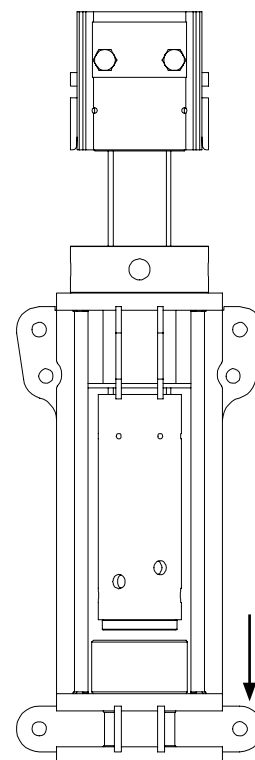


Fig. D2.04

Preparation of the towers



- Observe the information on attaching lifting gear in Section F4.
- A project-specific dismantling plan is required.
- Use lifting gear with sufficient load-bearing capacity.
- When lowering the module, ensure that no persons remain in the area of risk.
- Persons are not allowed to remain under suspended loads.



The procedure is valid for all towers.

Preparing the attached tower

1. Attach the tower segment to the crane lifting gear.
2. Dismantle the connections between the towers from a safe working position.
3. Leave the area of risk.
4. Lift off tower segment.
5. Place the tower segment on the ground for dismantling.
6. Remove crane lifting gear from the tower segment.

Preparing the bottom tower segment

1. Attach tower segment to the crane lifting gear.
2. Release anchoring.
3. Leave the area of risk.
4. Tilt the tower segment and place it on the ground for dismantling.
5. Remove crane lifting gear from the tower segment.



Use a rope to guide the tower.

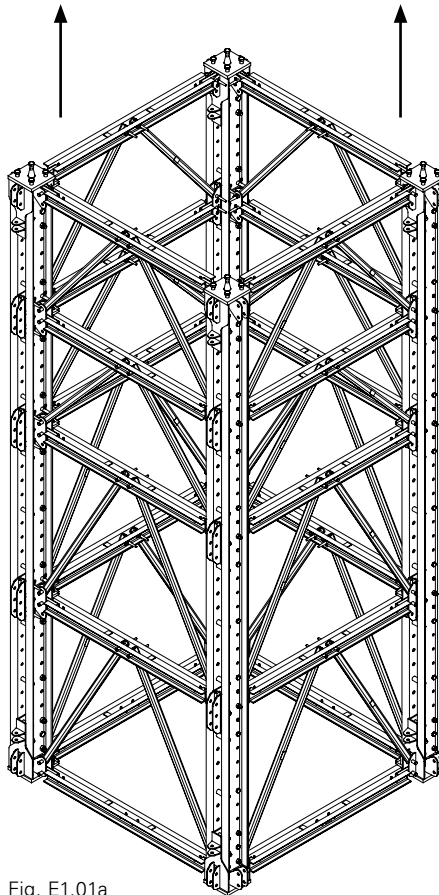


Fig. E1.01a

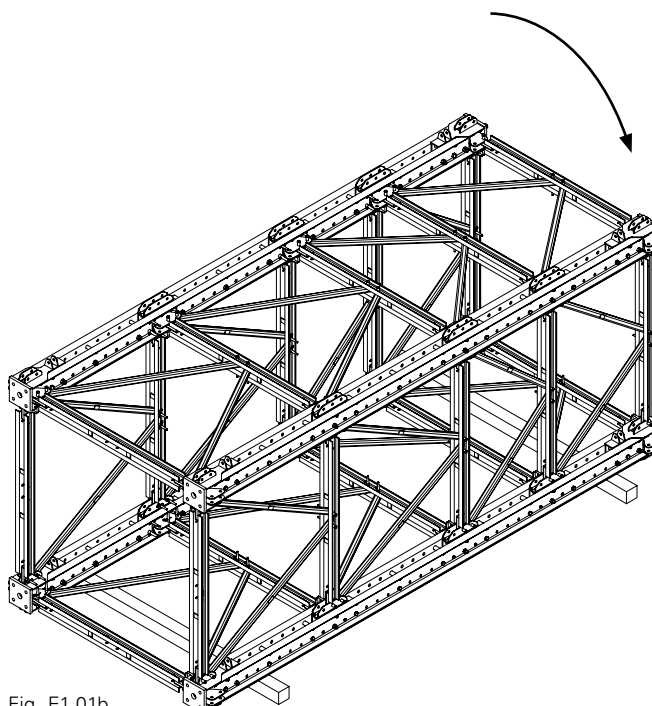


Fig. E1.01b

Module preparation



- Observe the information on attaching lifting gear in Section F3.
- Use lifting gear with sufficient load-bearing capacity.
- When lowering the module, ensure that no persons remain in the area of risk.
- Persons are not allowed to remain under suspended loads.

Preparation

1. Attach the module to the crane lifting gear.
2. Dismantle the connections and anchoring of the module.
3. Leave the area of risk.
4. Lift the module.
5. Place the module on the ground for dismantling.
6. Remove crane lifting gear from the module.

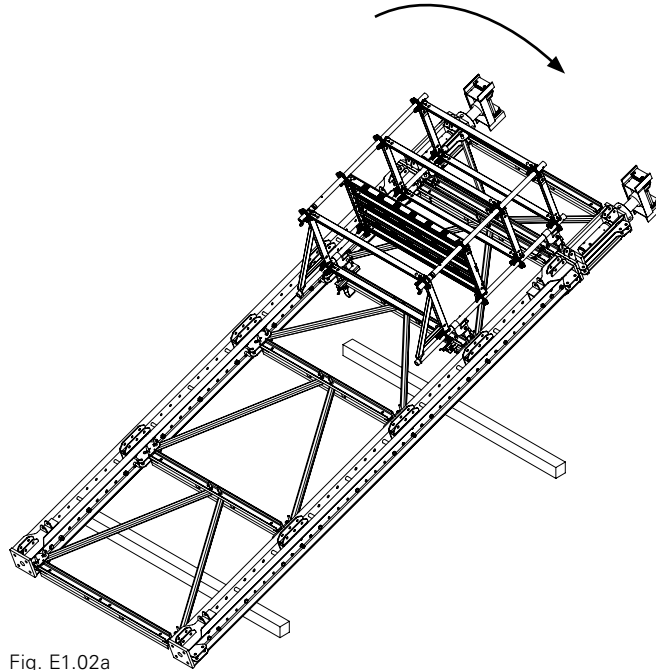


Fig. E1.02a

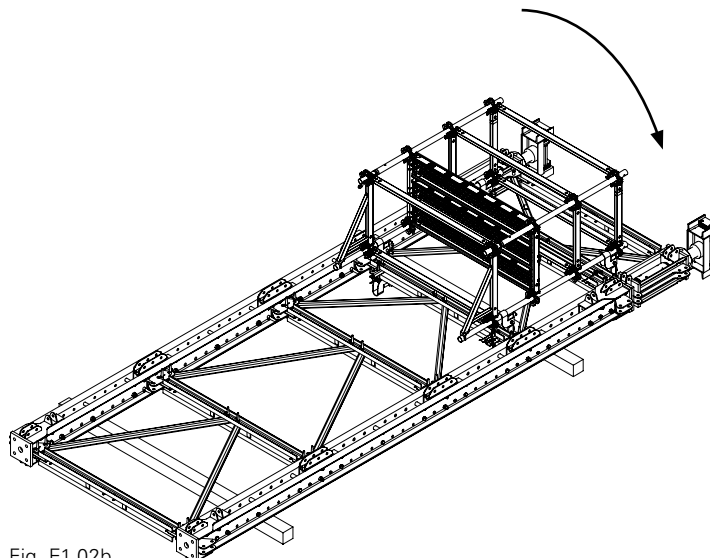


Fig. E1.02b

Dismantling the tower



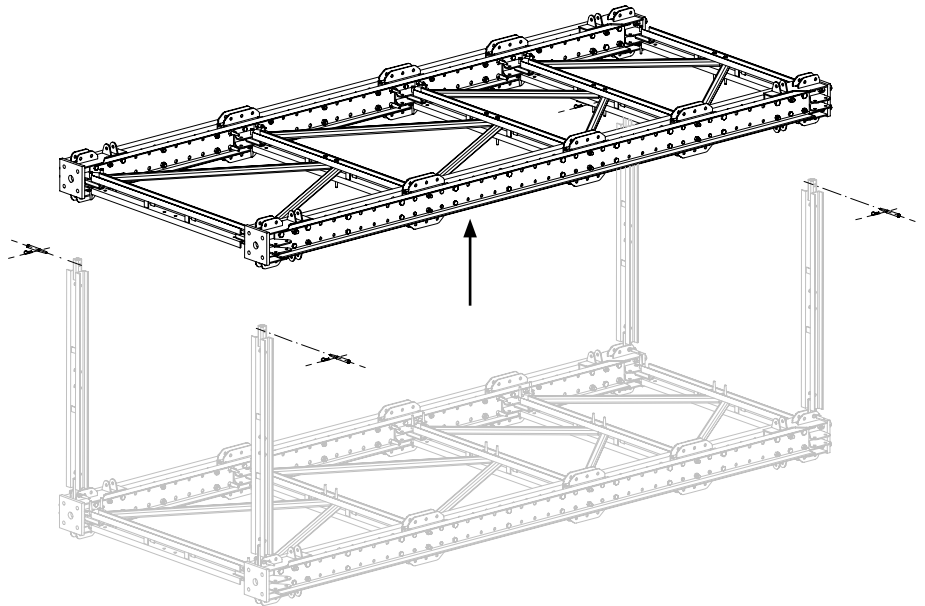
Temporary situations, e.g. with timbers, must be secured to prevent any tipping over.



Vertical connecting elements (Diagonal Strut VST or Heavy-Duty Spindles SLS) must be secured against tipping over during the dismantling procedure.

Dismantling

1. Remove the diagonal connecting elements.
2. Secure the top module with the crane.
3. Remove the Fitting Pins on the vertical connecting elements at the top.
4. Set the top module down on the ground.
5. Remove crane lifting gear from the module.
6. Remove the vertical connecting elements.



Dismantling the module



For individual components and their positions refer to the programme overview.

1. Dismantle the module.
2. Place the spacers of the RCS Rails in the correct position again. (Fig. E1.04a + E1.04b)
3. Fit the VST components with the connection means again. (Fig. E1.05a + E1.05b)

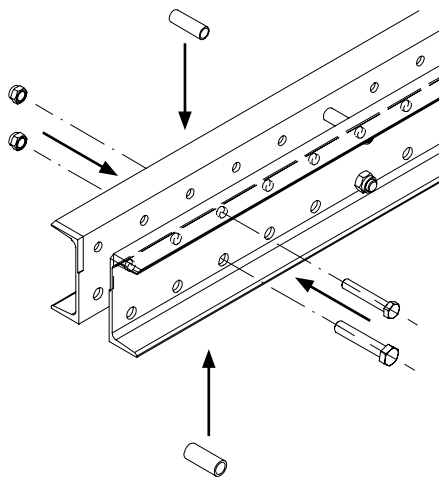


Fig. E1.04a

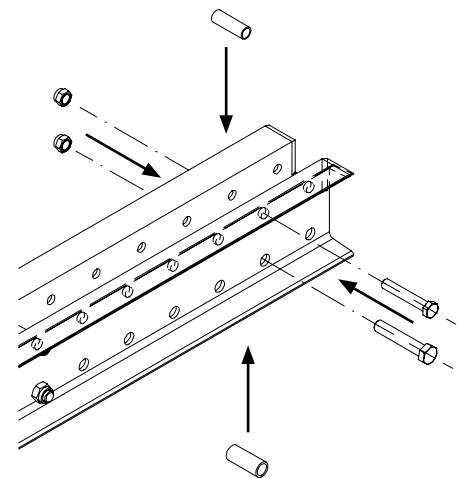


Fig. E1.04b

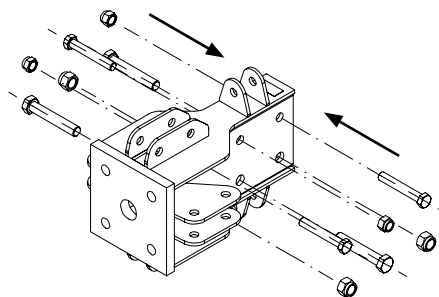


Fig. E1.05a

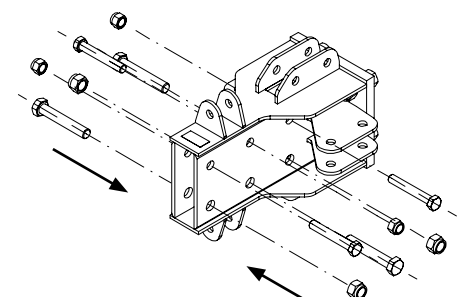


Fig. E1.05b

F1 Pre-dimensioning of the permissible leg load at the head



A detailed static calculation is required for each operation.



The tower height and a horizontal load amounting to 2.5% of the vertical load are taken into account.

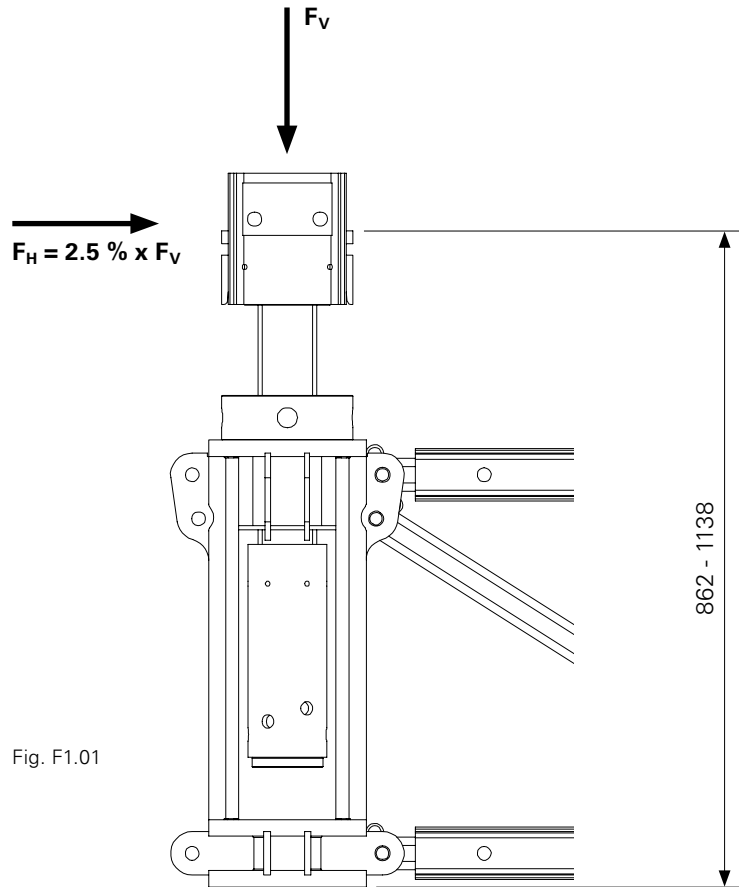


Fig. F1.01



Permissible leg loads for pre-dimensioning for a tower 2 x 2 m in accordance with Configuration 1 (Section A11) whilst taking into account a horizontal load of $F_H = 2.5\% \times F_V$. (Fig. F1.02)

Maximum leg load [kN]

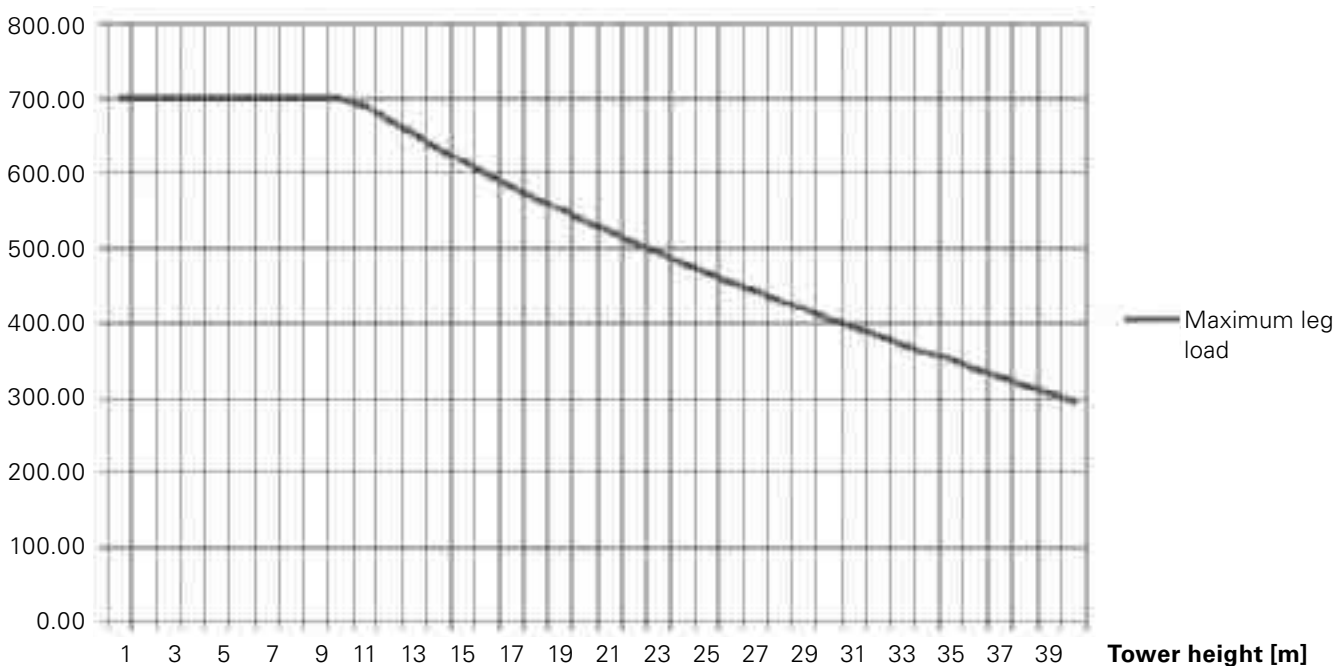


Fig. F1.02

Load-bearing point of spacers:

Spacer M20-82

Load-bearing capacity:
perm. F = 2800 kg

Spacer M24-82

Load-bearing capacity:
perm. F = 5000 kg

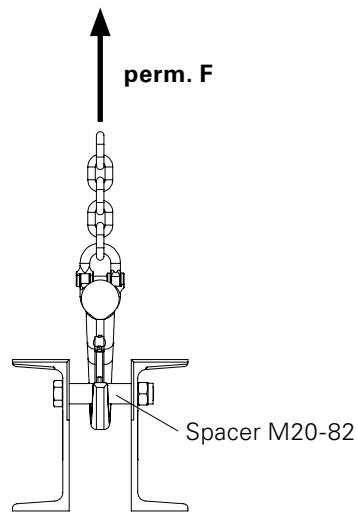


Fig. F2.01

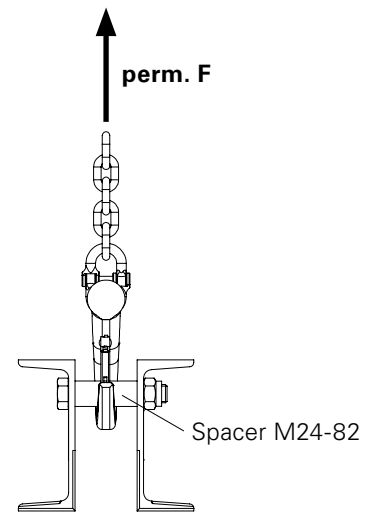


Fig. F2.02



For heavier units, project-specific attachment points and assembly sequences must be determined.



- When erecting, half the weight of the module acts on the crane lifting gear.
- Use textile lifting gear.

Without Head Spindle Frame

The lifting gear is attached to 4 Lifting Pins $\text{Ø} 21 \times 120$ (9) which are mounted on the Prop Connector VST 48 (21). (Fig. F3.03a)

Chain angle of inclination
 $\alpha = \text{max. } 30^\circ$ (Fig. F3.02)

Per load-bearing point
(Fitting Pin $\text{Ø} 21 \times 120$)

perm. F = 640 kg
 (Fig. F3.04)

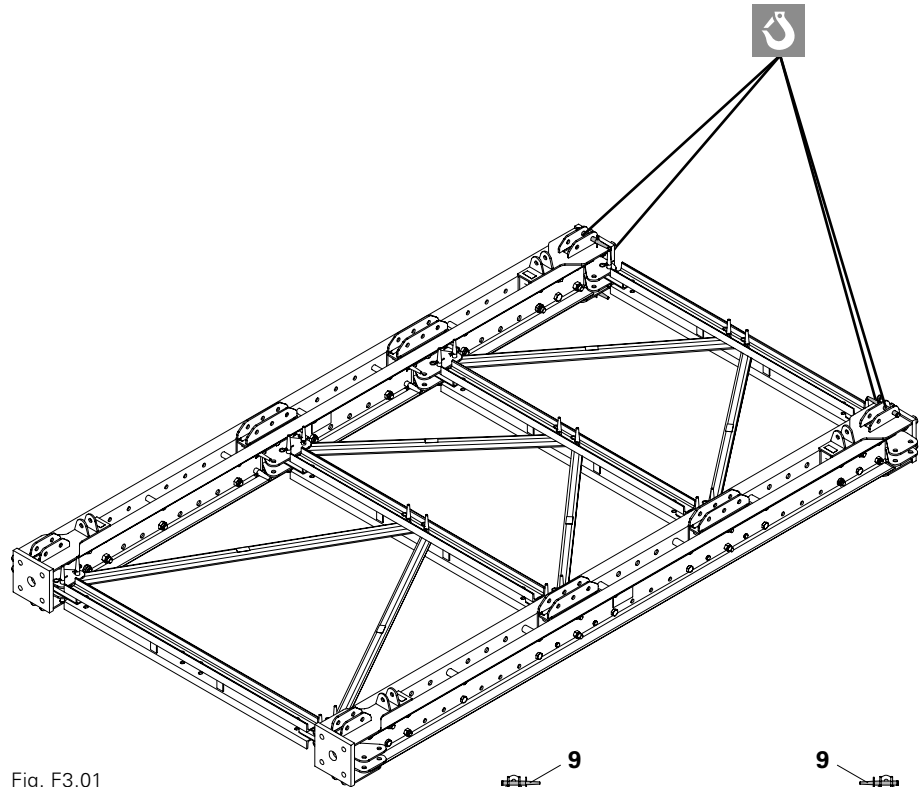


Fig. F3.01

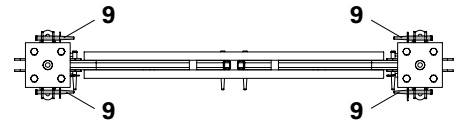


Fig. F3.03

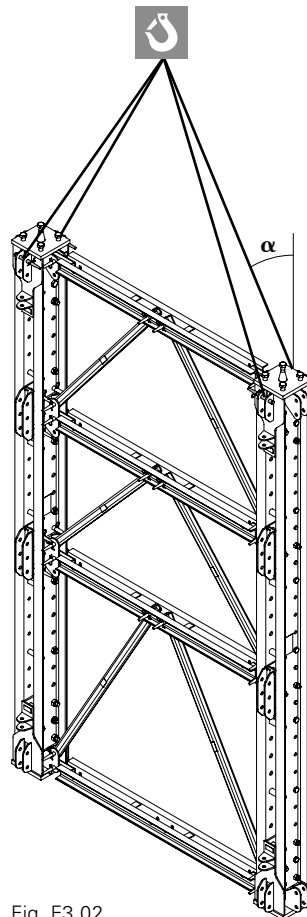


Fig. F3.02

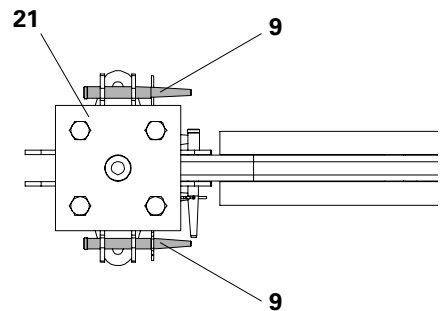


Fig. F3.03a

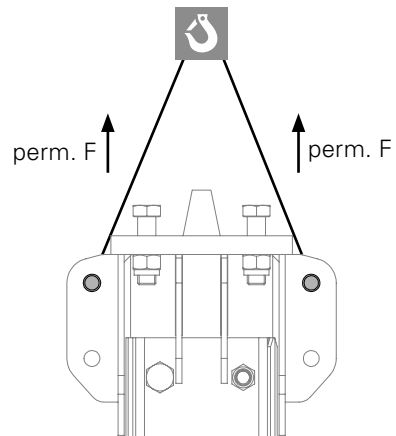


Fig. F3.04

With Head Spindle Frame

The lifting gear is connected underneath the Diagonal Struts VST 200/62.5 (27).
(Fig. F3.05)

Chain angle of inclination
 $\alpha = \max. 30^\circ$
(Fig. F3.06)

Per load-bearing point (Diagonal Strut VST)
perm. $F = 6.4 \text{ kN}$
(Fig. F3.07)

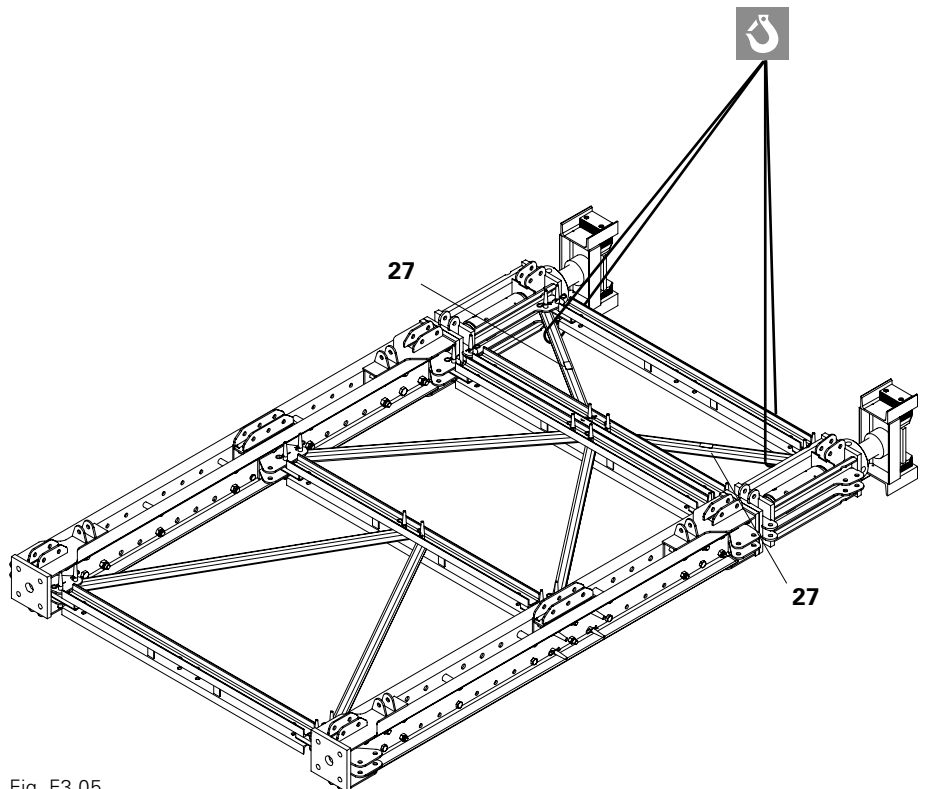


Fig. F3.05

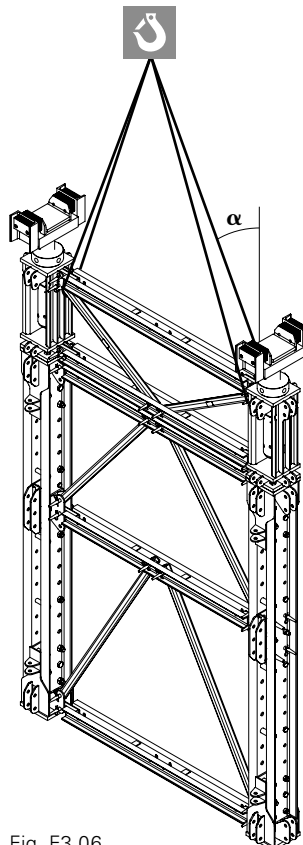


Fig. F3.06

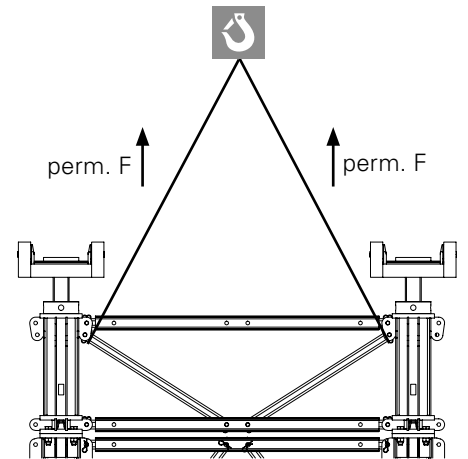


Fig. F3.07



For heavier units, project-specific attachment points and assembly sequences must be determined.



- When erecting, half the weight of the tower acts on the crane lifting gear.
- Use textile lifting gear.

Without Head Spindle Frame



When the tower is erected, the chain is redirected over the head plate. Therefore, the tower is carefully erected and directed in a forward direction.

The lifting gear is attached to 4 Lifting Pins $\varnothing 21 \times 120$ (9) which are mounted on the Prop Connector VST 48 (21). (Fig. F4.03)

Chain angle of inclination

$\alpha = \max. 30^\circ$
(Fig. F4.02)

Per load-bearing point (Fitting Pin $\varnothing 21 \times 120$)

perm. F = 640 kg
(Fig. F4.04)

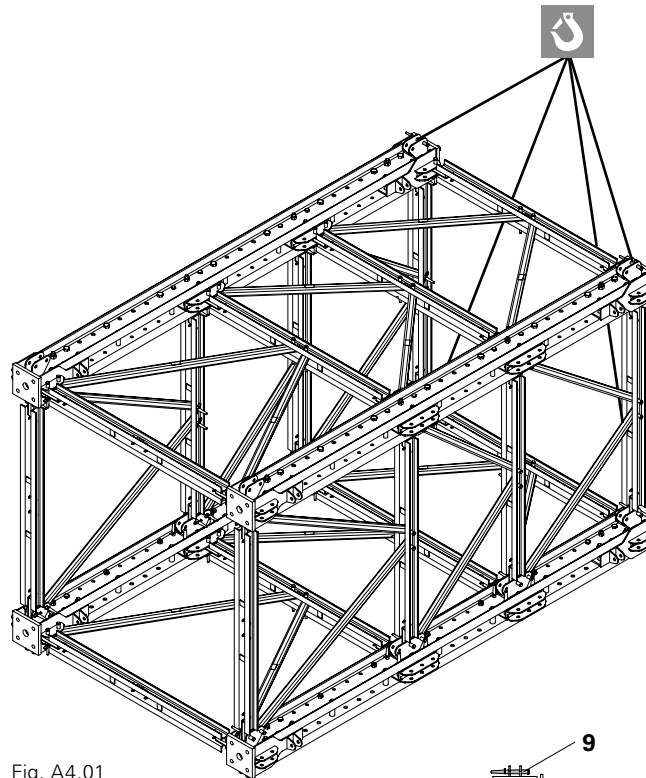


Fig. A4.01

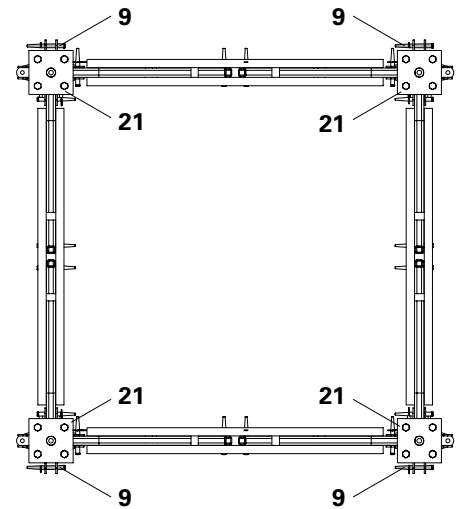


Fig. A4.03

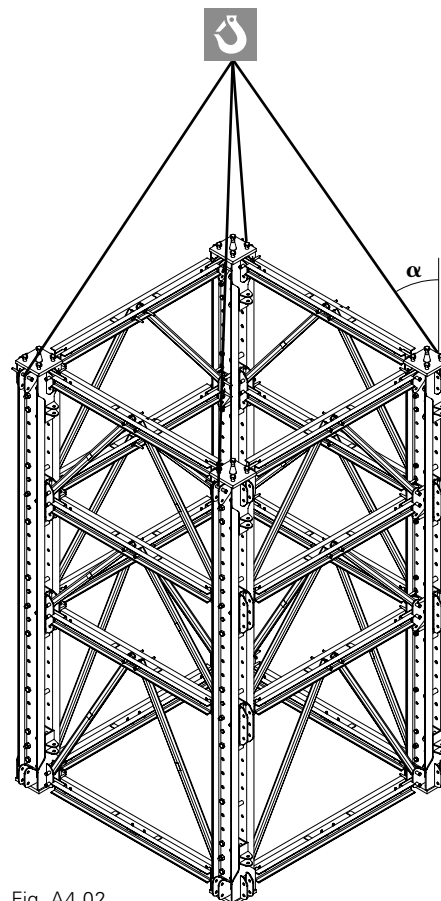


Fig. A4.02

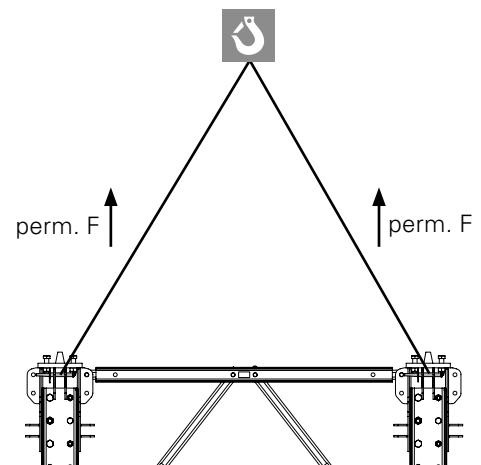


Fig. A4.04

With Head Spindle Frame

The lifting gear is connected underneath the Diagonal Struts VST 200/62.5 (27).
(Fig. F4.05)

Chain angle of inclination

$\alpha = \max. 30^\circ$
(Fig. F4.06)

Per load-bearing point (Diagonal Strut VST)

perm. F = 640 kg
(Fig. F4.07)

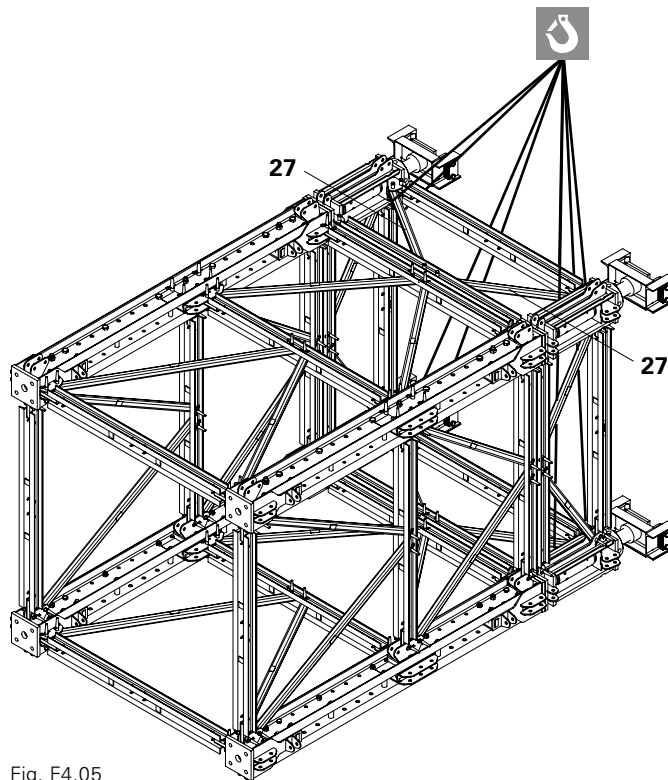


Fig. F4.05

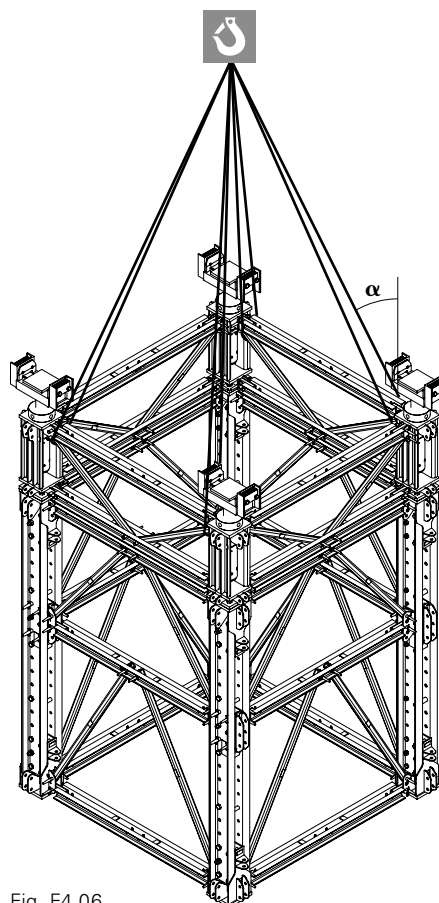


Fig. F4.06

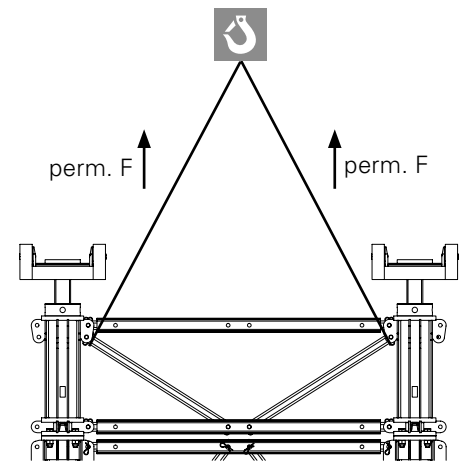


Fig. F4.07

F5 Combination Table 225 – 987.5 cm

| Height | | | Height compensation | | Head Spindle | Module | | | | | | |
|------------------|-------|-------|---------------------|----|--------------|--------|-----|-----|-----|-----|-----|------|
| h _{nom} | min | max | 12.5 | 25 | 100 | 125 | 175 | 275 | 375 | 525 | 775 | 1025 |
| | | | | | ±13.8 cm | | | | | | | |
| 225 | 211.2 | 238.8 | | | 1 | 1 | | | | | | |
| 237.5 | 223.7 | 251.3 | 1 | | 1 | 1 | | | | | | |
| 250 | 236.2 | 263.8 | | 1 | 1 | 1 | | | | | | |
| 262.5 | 248.7 | 276.3 | 1 | 1 | 1 | 1 | | | | | | |
| 275 | 261.2 | 288.8 | | | 1 | | 1 | | | | | |
| 287.5 | 273.7 | 301.3 | 1 | | 1 | | 1 | | | | | |
| 300 | 286.2 | 313.8 | | 1 | 1 | | 1 | | | | | |
| 312.5 | 298.7 | 326.3 | 1 | 1 | 1 | | 1 | | | | | |
| 325 | 311.2 | 338.8 | | 2 | 1 | | 1 | | | | | |
| 337.5 | 323.7 | 351.3 | 1 | 2 | 1 | | 1 | | | | | |
| 350 | 336.2 | 363.8 | | | 1 | 2 | | | | | | |
| 362.5 | 348.7 | 376.3 | 1 | | 1 | 2 | | | | | | |
| 375 | 361.2 | 388.8 | | | 1 | | | 1 | | | | |
| 387.5 | 373.7 | 401.3 | 1 | | 1 | | | 1 | | | | |
| 400 | 386.2 | 413.8 | | | 1 | 1 | 1 | | | | | |
| 412.5 | 398.7 | 426.3 | 1 | | 1 | 1 | 1 | | | | | |
| 425 | 411.2 | 438.8 | | 1 | 1 | 1 | 1 | | | | | |
| 437.5 | 423.7 | 451.3 | 1 | 1 | 1 | 1 | 1 | | | | | |
| 450 | 436.2 | 463.8 | | | 1 | | 2 | | | | | |
| 462.5 | 448.7 | 476.3 | 1 | | 1 | | 2 | | | | | |
| 475 | 461.2 | 488.8 | | | 1 | | | | 1 | | | |
| 487.5 | 473.7 | 501.3 | 1 | | 1 | | | | 1 | | | |
| 500 | 486.2 | 513.8 | | 1 | 1 | | | | 1 | | | |
| 512.5 | 498.7 | 526.3 | 1 | 1 | 1 | | | | 1 | | | |
| 525 | 511.2 | 538.8 | | 1 | 1 | 1 | | 1 | | | | |
| 537.5 | 523.7 | 551.3 | 1 | 1 | 1 | 1 | | 1 | | | | |
| 550 | 536.2 | 563.8 | | | 1 | | 1 | 1 | | | | |
| 562.5 | 548.7 | 576.3 | 1 | | 1 | | 1 | 1 | | | | |
| 575 | 561.2 | 588.8 | | | 1 | 1 | 2 | | | | | |
| 587.5 | 573.7 | 601.3 | 1 | | 1 | 1 | 2 | | | | | |
| 600 | 586.2 | 613.8 | | | 1 | 1 | | | 1 | | | |
| 612.5 | 598.7 | 626.3 | 1 | | 1 | 1 | | | 1 | | | |
| 625 | 611.2 | 638.8 | | | 1 | | | | | 1 | | |
| 637.5 | 623.7 | 651.3 | 1 | | 1 | | | | | 1 | | |
| 650 | 636.2 | 663.8 | | 1 | 1 | | | | | 1 | | |
| 662.5 | 648.7 | 676.3 | 1 | 1 | 1 | | | | | 1 | | |
| 675 | 661.2 | 688.8 | | 1 | 1 | | 1 | | 1 | | | |
| 687.5 | 673.7 | 701.3 | 1 | 1 | 1 | | 1 | | 1 | | | |
| 700 | 686.2 | 713.8 | | | 1 | 2 | 2 | | | | | |
| 712.5 | 698.7 | 726.3 | 1 | | 1 | 2 | 2 | | | | | |
| 725 | 711.2 | 738.8 | | | 1 | 2 | | | 1 | | | |
| 737.5 | 723.7 | 751.3 | 1 | | 1 | 2 | | | 1 | | | |

F5 Combination Table 225 – 987.5 cm

| Height | | | Height compensation | | Head Spindle | Module | | | | | | |
|------------------|-------|--------|---------------------|----|--------------|--------|-----|-----|-----|-----|-----|------|
| h _{nom} | min | max | 12.5 | 25 | 100 | 125 | 175 | 275 | 375 | 525 | 775 | 1025 |
| | | | | | ±13.8 cm | | | | | | | |
| 750 | 736.2 | 763.8 | | | 1 | 1 | | | | 1 | | |
| 762.5 | 748.7 | 776.3 | 1 | | 1 | 1 | | | | 1 | | |
| 775 | 761.2 | 788.8 | | 1 | 1 | 1 | | | | 1 | | |
| 787.5 | 773.7 | 801.3 | 1 | 1 | 1 | 1 | | | | 1 | | |
| 800 | 786.2 | 813.8 | | | 1 | | 1 | | | 1 | | |
| 812.5 | 798.7 | 826.3 | 1 | | 1 | | 1 | | | 1 | | |
| 825 | 811.2 | 838.8 | | 1 | 1 | | 1 | | | 1 | | |
| 837.5 | 823.7 | 851.3 | 1 | 1 | 1 | | 1 | | | 1 | | |
| 850 | 836.2 | 863.8 | | | 1 | | | | 2 | | | |
| 862.5 | 848.7 | 876.3 | 1 | | 1 | | | | 2 | | | |
| 875 | 861.2 | 888.8 | | | 1 | | | | | | 1 | |
| 887.5 | 873.7 | 901.3 | 1 | | 1 | | | | | | 1 | |
| 900 | 886.2 | 913.8 | | 1 | 1 | | | | | | 1 | |
| 912.5 | 898.7 | 926.3 | 1 | 1 | 1 | | | | | | 1 | |
| 925 | 911.2 | 938.8 | | 1 | 1 | | | 1 | | 1 | | |
| 937.5 | 923.7 | 951.3 | 1 | 1 | 1 | | | 1 | | 1 | | |
| 950 | 936.2 | 963.8 | | 1 | 1 | 1 | 1 | | | 1 | | |
| 962.5 | 948.7 | 976.3 | 1 | 1 | 1 | 1 | 1 | | | 1 | | |
| 975 | 961.2 | 988.8 | | | 1 | 1 | | | 2 | | | |
| 987.5 | 973.7 | 1001.3 | 1 | | 1 | 1 | | | 2 | | | |

Table F5.01

For lowering, a remaining distance for the spindle of approx. 8 cm is to be planned.

F6 Combination Table 1000 – 1987.5 cm



| Height | | | Height compensation | | Head Spindle | Module | | | | | | |
|-------------|--------|--------|---------------------|----|---------------|--------|-----|-----|-----|-----|-----|------|
| h_{nom} | min | max | 12.5 | 25 | 100 | 125 | 175 | 275 | 375 | 525 | 775 | 1025 |
| | | | | | ± 13.8 cm | | | | | | | |
| 1000 | 986.2 | 1013.8 | | | 1 | 1 | | | | | 1 | |
| 1012.5 | 998.7 | 1026.3 | 1 | | 1 | 1 | | | | | 1 | |
| 1025 | 1011.2 | 1038.8 | | 1 | 1 | 1 | | | | | 1 | |
| 1037.5 | 1023.7 | 1051.3 | 1 | 1 | 1 | 1 | | | | | 1 | |
| 1050 | 1036.2 | 1063.8 | | | 1 | | 1 | | | | 1 | |
| 1062.5 | 1048.7 | 1076.3 | 1 | | 1 | | 1 | | | | 1 | |
| 1075 | 1061.2 | 1088.8 | | 1 | 1 | | 1 | | | | 1 | |
| 1087.5 | 1073.7 | 1101.3 | 1 | 1 | 1 | | 1 | | | | 1 | |
| 1100 | 1086.2 | 1113.8 | | 1 | 1 | | 1 | 1 | | 1 | | |
| 1112.5 | 1098.7 | 1126.3 | 1 | 1 | 1 | | 1 | 1 | | 1 | | |
| 1125 | 1111.2 | 1138.8 | | | 1 | | | | | | | 1 |
| 1137.5 | 1123.7 | 1151.3 | 1 | | 1 | | | | | | | 1 |
| 1150 | 1136.2 | 1163.8 | | 1 | 1 | | | | | | | 1 |
| 1162.5 | 1148.7 | 1176.3 | 1 | 1 | 1 | | | | | | | 1 |
| 1175 | 1161.2 | 1188.8 | | 1 | 1 | | | | | 2 | | |
| 1187.5 | 1173.7 | 1201.3 | 1 | 1 | 1 | | | | | 2 | | |
| 1200 | 1186.2 | 1213.8 | | 1 | 1 | | | 2 | | 1 | | |
| 1212.5 | 1198.7 | 1226.3 | 1 | 1 | 1 | | | 2 | | 1 | | |
| 1225 | 1211.2 | 1238.8 | | | 1 | | | | 3 | | | |
| 1237.5 | 1223.7 | 1251.3 | 1 | | 1 | | | | 3 | | | |
| 1250 | 1236.2 | 1263.8 | | | 1 | | | | 1 | | 1 | |
| 1262.5 | 1248.7 | 1276.3 | 1 | | 1 | | | | 1 | | 1 | |
| 1275 | 1261.2 | 1288.8 | | 1 | 1 | | | | 1 | | 1 | |
| 1287.5 | 1273.7 | 1301.3 | 1 | 1 | 1 | | | | 1 | | 1 | |
| 1300 | 1286.2 | 1313.8 | | | 1 | | 1 | | | | | 1 |
| 1312.5 | 1298.7 | 1326.3 | 1 | | 1 | | 1 | | | | | 1 |
| 1325 | 1311.2 | 1338.8 | | 1 | 1 | | 1 | | | | | 1 |
| 1337.5 | 1323.7 | 1351.3 | 1 | 1 | 1 | | 1 | | | | | 1 |
| 1350 | 1336.2 | 1363.8 | | 2 | 1 | | 1 | | | | | 1 |
| 1362.5 | 1348.7 | 1376.3 | 1 | 2 | 1 | | 1 | | | | | 1 |
| 1375 | 1361.2 | 1388.8 | | | 1 | 1 | | | 1 | | 1 | |
| 1387.5 | 1373.7 | 1401.3 | 1 | | 1 | 1 | | | 1 | | 1 | |
| 1400 | 1386.2 | 1413.8 | | | 1 | | | | | 1 | 1 | |
| 1412.5 | 1398.7 | 1426.3 | 1 | | 1 | | | | | 1 | 1 | |
| 1425 | 1411.2 | 1438.8 | | 1 | 1 | | | | | 1 | 1 | |
| 1437.5 | 1423.7 | 1451.3 | 1 | 1 | 1 | | | | | 1 | 1 | |
| 1450 | 1436.2 | 1463.8 | | 1 | 1 | | 1 | | 1 | | 1 | |
| 1462.5 | 1448.7 | 1476.3 | 1 | 1 | 1 | | 1 | | 1 | | 1 | |
| 1475 | 1461.2 | 1488.8 | | | 1 | | 2 | | | | | 1 |
| 1487.5 | 1473.7 | 1501.3 | 1 | | 1 | | 2 | | | | | 1 |
| 1500 | 1486.2 | 1513.8 | | | 1 | | | | 1 | | | 1 |
| 1512.5 | 1498.7 | 1526.3 | 1 | | 1 | | | | 1 | | | 1 |

F6 Combination Table 1000 – 1987.5 cm

| Height | | | Height compensation | | Head Spindle | Module | | | | | | |
|------------------|--------|--------|---------------------|----|--------------|--------|-----|-----|-----|-----|-----|------|
| h _{nom} | min | max | 12.5 | 25 | 100 | 125 | 175 | 275 | 375 | 525 | 775 | 1025 |
| | | | | | ±13.8 cm | | | | | | | |
| 1525 | 1511.2 | 1538.8 | | 1 | 1 | | | | 1 | | | 1 |
| 1537.5 | 1523.7 | 1551.3 | 1 | 1 | 1 | | | | 1 | | | 1 |
| 1550 | 1536.2 | 1563.8 | | 1 | 1 | 1 | | 1 | | | | 1 |
| 1562.5 | 1548.7 | 1576.3 | 1 | 1 | 1 | 1 | | 1 | | | | 1 |
| 1575 | 1561.2 | 1588.8 | | | 1 | | 1 | | | 1 | 1 | |
| 1587.5 | 1573.7 | 1601.3 | 1 | | 1 | | 1 | | | 1 | 1 | |
| 1600 | 1586.2 | 1613.8 | | | 1 | | 1 | 1 | | 2 | | |
| 1612.5 | 1598.7 | 1626.3 | 1 | | 1 | | 1 | 1 | | 2 | | |
| 1625 | 1611.2 | 1638.8 | | | 1 | | | | 2 | | 1 | |
| 1637.5 | 1623.7 | 1651.3 | 1 | | 1 | | | | 2 | | 1 | |
| 1650 | 1636.2 | 1663.8 | | | 1 | | | | | | 2 | |
| 1662.5 | 1648.7 | 1676.3 | 1 | | 1 | | | | | | 2 | |
| 1675 | 1661.2 | 1688.8 | | 1 | 1 | | | | | | 2 | |
| 1687.5 | 1673.7 | 1701.3 | 1 | 1 | 1 | | | | | | 2 | |
| 1700 | 1686.2 | 1713.8 | | 1 | 1 | | | 1 | | 1 | 1 | |
| 1712.5 | 1698.7 | 1726.3 | 1 | 1 | 1 | | | 1 | | 1 | 1 | |
| 1725 | 1711.2 | 1738.8 | | 1 | 1 | 1 | 1 | 1 | | | | 1 |
| 1737.5 | 1723.7 | 1751.3 | 1 | 1 | 1 | 1 | 1 | 1 | | | | 1 |
| 1750 | 1736.2 | 1763.8 | | | 1 | 2 | | | 1 | | | 1 |
| 1762.5 | 1748.7 | 1776.3 | 1 | | 1 | 2 | | | 1 | | | 1 |
| 1775 | 1761.2 | 1788.8 | | | 1 | 1 | | | | | 2 | |
| 1787.5 | 1773.7 | 1801.3 | 1 | | 1 | 1 | | | | | 2 | |
| 1800 | 1786.2 | 1813.8 | | 1 | 1 | 1 | | | | | 2 | |
| 1812.5 | 1798.7 | 1826.3 | 1 | 1 | 1 | 1 | | | | | 2 | |
| 1825 | 1811.2 | 1838.8 | | | 1 | | 1 | | | | 2 | |
| 1837.5 | 1823.7 | 1851.3 | 1 | | 1 | | 1 | | | | 2 | |
| 1850 | 1836.2 | 1863.8 | | 1 | 1 | | 1 | | | 1 | | 1 |
| 1862.5 | 1848.7 | 1876.3 | 1 | 1 | 1 | | 1 | | | 1 | | 1 |
| 1875 | 1861.2 | 1888.8 | | | 1 | | | | 2 | | | 1 |
| 1887.5 | 1873.7 | 1901.3 | 1 | | 1 | | | | 2 | | | 1 |
| 1900 | 1886.2 | 1913.8 | | | 1 | | | | | | 1 | 1 |
| 1912.5 | 1898.7 | 1926.3 | 1 | | 1 | | | | | | 1 | 1 |
| 1925 | 1911.2 | 1938.8 | | 1 | 1 | | | | | | 1 | 1 |
| 1937.5 | 1923.7 | 1951.3 | 1 | 1 | 1 | | | | | | 1 | 1 |
| 1950 | 1936.2 | 1963.8 | | 2 | 1 | | | | | | 1 | 1 |
| 1962.5 | 1948.7 | 1976.3 | 1 | 2 | 1 | | | | | | 1 | 1 |
| 1975 | 1961.2 | 1988.8 | | 1 | 1 | 1 | 1 | | | 1 | | 1 |
| 1987.5 | 1973.7 | 2001.3 | 1 | 1 | 1 | 1 | 1 | | | 1 | | 1 |

Table F6.01

For lowering, a remaining distance for the spindle of approx. 8 cm is to be planned.

F7 Combination Table 2000 – 2987.5 cm



| Height | | | Height compensation | | Head Spindle | Module | | | | | | |
|------------------|--------|--------|---------------------|----|--------------|--------|-----|-----|-----|-----|-----|------|
| h _{nom} | min | max | 12.5 | 25 | 100 | 125 | 175 | 275 | 375 | 525 | 775 | 1025 |
| | | | | | ±13.8 cm | | | | | | | |
| 2000 | 1986.2 | 2013.8 | | | 1 | 1 | | | 2 | | | 1 |
| 2012.5 | 1998.7 | 2026.3 | 1 | | 1 | 1 | | | 2 | | | 1 |
| 2025 | 2011.2 | 2038.8 | | | 1 | | | | 1 | | 2 | |
| 2037.5 | 2023.7 | 2051.3 | 1 | | 1 | | | | 1 | | 2 | |
| 2050 | 2036.2 | 2063.8 | | 1 | 1 | 1 | | | | | 1 | 1 |
| 2062.5 | 2048.7 | 2076.3 | 1 | 1 | 1 | 1 | | | | | 1 | 1 |
| 2075 | 2061.2 | 2088.8 | | | 1 | | 1 | | | | 1 | 1 |
| 2087.5 | 2073.7 | 2101.3 | 1 | | 1 | | 1 | | | | 1 | 1 |
| 2100 | 2086.2 | 2113.8 | | 1 | 1 | | 1 | | | | 1 | 1 |
| 2112.5 | 2098.7 | 2126.3 | 1 | 1 | 1 | | 1 | | | | 1 | 1 |
| 2125 | 2111.2 | 2138.8 | | 1 | 1 | | 1 | | | 2 | 1 | |
| 2137.5 | 2123.7 | 2151.3 | 1 | 1 | 1 | | 1 | | | 2 | 1 | |
| 2150 | 2136.2 | 2163.8 | | | 1 | | | | | | | 2 |
| 2162.5 | 2148.7 | 2176.3 | 1 | | 1 | | | | | | | 2 |
| 2175 | 2161.2 | 2188.8 | | 1 | 1 | | | | | | | 2 |
| 2187.5 | 2173.7 | 2201.3 | 1 | 1 | 1 | | | | | | | 2 |
| 2200 | 2186.2 | 2213.8 | | 1 | 1 | | | | | 2 | | 1 |
| 2212.5 | 2198.7 | 2226.3 | 1 | 1 | 1 | | | | | 2 | | 1 |
| 2225 | 2211.2 | 2238.8 | | 1 | 1 | | | 2 | | 1 | | 1 |
| 2237.5 | 2223.7 | 2251.3 | 1 | 1 | 1 | | | 2 | | 1 | | 1 |
| 2250 | 2236.2 | 2263.8 | | | 1 | | | | 3 | | | 1 |
| 2262.5 | 2248.7 | 2276.3 | 1 | | 1 | | | | 3 | | | 1 |
| 2275 | 2261.2 | 2288.8 | | | 1 | | | | 1 | | 1 | 1 |
| 2287.5 | 2273.7 | 2301.3 | 1 | | 1 | | | | 1 | | 1 | 1 |
| 2300 | 2286.2 | 2313.8 | | | 1 | 1 | | | | 1 | 2 | |
| 2312.5 | 2298.7 | 2326.3 | 1 | | 1 | 1 | | | | 1 | 2 | |
| 2325 | 2311.2 | 2338.8 | | | 1 | | 1 | | | | | 2 |
| 2337.5 | 2323.7 | 2351.3 | 1 | | 1 | | 1 | | | | | 2 |
| 2350 | 2336.2 | 2363.8 | | 1 | 1 | | 1 | | | | | 2 |
| 2362.5 | 2348.7 | 2376.3 | 1 | 1 | 1 | | 1 | | | | | 2 |
| 2375 | 2361.2 | 2388.8 | | 1 | 1 | | 1 | 1 | | | 1 | 1 |
| 2387.5 | 2373.7 | 2401.3 | 1 | 1 | 1 | | 1 | 1 | | | 1 | 1 |
| 2400 | 2386.2 | 2413.8 | | | 1 | | | | 2 | | 2 | |
| 2412.5 | 2398.7 | 2426.3 | 1 | | 1 | | | | 2 | | 2 | |
| 2425 | 2411.2 | 2438.8 | | | 1 | | | | | 1 | 1 | 1 |
| 2437.5 | 2423.7 | 2451.3 | 1 | | 1 | | | | | 1 | 1 | 1 |
| 2450 | 2436.2 | 2463.8 | | 1 | 1 | | | | | 1 | 1 | 1 |
| 2462.5 | 2448.7 | 2476.3 | 1 | 1 | 1 | | | | | 1 | 1 | 1 |
| 2475 | 2461.2 | 2488.8 | | 1 | 1 | | 1 | | 1 | | 1 | 1 |
| 2487.5 | 2473.7 | 2501.3 | 1 | 1 | 1 | | 1 | | 1 | | 1 | 1 |
| 2500 | 2486.2 | 2513.8 | | | 1 | | 2 | | | | | 2 |
| 2512.5 | 2498.7 | 2526.3 | 1 | | 1 | | 2 | | | | | 2 |

F7 Combination Table 2000 – 2987.5 cm

| Height | | | Height compensation | | Head Spindle | Module | | | | | | |
|------------------|--------|--------|---------------------|----|--------------|--------|-----|-----|-----|-----|-----|------|
| h _{nom} | min | max | 12.5 | 25 | 100 | 125 | 175 | 275 | 375 | 525 | 775 | 1025 |
| | | | | | ±13.8 cm | | | | | | | |
| 2525 | 2511.2 | 2538.8 | | | 1 | | | | 1 | | | 2 |
| 2537.5 | 2523.7 | 2551.3 | 1 | | 1 | | | | 1 | | | 2 |
| 2550 | 2536.2 | 2563.8 | | 1 | 1 | | | | 1 | | | 2 |
| 2562.5 | 2548.7 | 2576.3 | 1 | 1 | 1 | | | | 1 | | | 2 |
| 2575 | 2561.2 | 2588.8 | | 1 | 1 | 1 | | 1 | | | | 2 |
| 2587.5 | 2573.7 | 2601.3 | 1 | 1 | 1 | 1 | | 1 | | | | 2 |
| 2600 | 2586.2 | 2613.8 | | | 1 | | 1 | | | 1 | 1 | 1 |
| 2612.5 | 2598.7 | 2626.3 | 1 | | 1 | | 1 | | | 1 | 1 | 1 |
| 2625 | 2611.2 | 2638.8 | | | 1 | | 1 | 1 | | 1 | 2 | |
| 2637.5 | 2623.7 | 2651.3 | 1 | | 1 | | 1 | 1 | | 1 | 2 | |
| 2650 | 2636.2 | 2663.8 | | | 1 | | | | 2 | | 1 | 1 |
| 2662.5 | 2648.7 | 2676.3 | 1 | | 1 | | | | 2 | | 1 | 1 |
| 2675 | 2661.2 | 2688.8 | | | 1 | | | | | | 2 | 1 |
| 2687.5 | 2673.7 | 2701.3 | 1 | | 1 | | | | | | 2 | 1 |
| 2700 | 2686.2 | 2713.8 | | 1 | 1 | | | | | | 2 | 1 |
| 2712.5 | 2698.7 | 2726.3 | 1 | 1 | 1 | | | | | | 2 | 1 |
| 2725 | 2711.2 | 2738.8 | | 1 | 1 | | | 1 | | 1 | 1 | 1 |
| 2737.5 | 2723.7 | 2751.3 | 1 | 1 | 1 | | | 1 | | 1 | 1 | 1 |
| 2750 | 2736.2 | 2763.8 | | 1 | 1 | 1 | 1 | 1 | | | | 2 |
| 2762.5 | 2748.7 | 2776.3 | 1 | 1 | 1 | 1 | 1 | 1 | | | | 2 |
| 2775 | 2761.2 | 2788.8 | | | 1 | | | | 3 | | 2 | |
| 2787.5 | 2773.7 | 2801.3 | 1 | | 1 | | | | 3 | | 2 | |
| 2800 | 2786.2 | 2813.8 | | | 1 | 1 | | | | | 2 | 1 |
| 2812.5 | 2798.7 | 2826.3 | 1 | | 1 | 1 | | | | | 2 | 1 |
| 2825 | 2811.2 | 2838.8 | | 1 | 1 | 1 | | | | | 2 | 1 |
| 2837.5 | 2823.7 | 2851.3 | 1 | 1 | 1 | 1 | | | | | 2 | 1 |
| 2850 | 2836.2 | 2863.8 | | | 1 | | 1 | | | 1 | | 2 |
| 2862.5 | 2848.7 | 2876.3 | 1 | | 1 | | 1 | | | 1 | | 2 |
| 2875 | 2861.2 | 2888.8 | | 1 | 1 | | 1 | | | 1 | | 2 |
| 2887.5 | 2873.7 | 2901.3 | 1 | 1 | 1 | | 1 | | | 1 | | 2 |
| 2900 | 2886.2 | 2913.8 | | | 1 | | | | 2 | | | 2 |
| 2912.5 | 2898.7 | 2926.3 | 1 | | 1 | | | | 2 | | | 2 |
| 2925 | 2911.2 | 2938.8 | | | 1 | | | | | | 1 | 2 |
| 2937.5 | 2923.7 | 2951.3 | 1 | | 1 | | | | | | 1 | 2 |
| 2950 | 2936.2 | 2963.8 | | | 1 | | | | | 1 | 3 | |
| 2962.5 | 2948.7 | 2976.3 | 1 | | 1 | | | | | 1 | 3 | |
| 2975 | 2961.2 | 2988.8 | | 1 | 1 | | | 1 | | 1 | | 2 |
| 2987.5 | 2973.7 | 3001.3 | 1 | 1 | 1 | | | 1 | | 1 | | 2 |

Table F7.01

For lowering, a remaining distance for the spindle of approx. 8 cm is to be planned.

F8 Combination Table 3000 – 4000 cm



| Height | | | Height compensation | | Head Spindle | Module | | | | | | |
|-------------|--------|--------|---------------------|----|---------------|--------|-----|-----|-----|-----|-----|------|
| h_{nom} | min | max | 12.5 | 25 | 100 | 125 | 175 | 275 | 375 | 525 | 775 | 1025 |
| | | | | | ± 13.8 cm | | | | | | | |
| 3000 | 2986.2 | 3013.8 | | 1 | 1 | 1 | 1 | | | 1 | | 2 |
| 3012.5 | 2998.7 | 3026.3 | 1 | 1 | 1 | 1 | 1 | | | 1 | | 2 |
| 3025 | 3011.2 | 3038.8 | | | 1 | 1 | | | 2 | | | 2 |
| 3037.5 | 3023.7 | 3051.3 | 1 | | 1 | 1 | | | 2 | | | 2 |
| 3050 | 3036.2 | 3063.8 | | | 1 | | | | 1 | | 2 | 1 |
| 3062.5 | 3048.7 | 3076.3 | 1 | | 1 | | | | 1 | | 2 | 1 |
| 3075 | 3061.2 | 3088.8 | | 1 | 1 | 1 | | | | | 1 | 2 |
| 3087.5 | 3073.7 | 3101.3 | 1 | 1 | 1 | 1 | | | | | 1 | 2 |
| 3100 | 3086.2 | 3113.8 | | | 1 | | 1 | | | | 1 | 2 |
| 3112.5 | 3098.7 | 3126.3 | 1 | | 1 | | 1 | | | | 1 | 2 |
| 3125 | 3111.2 | 3138.8 | | 1 | 1 | | 1 | | | | 1 | 2 |
| 3137.5 | 3123.7 | 3151.3 | 1 | 1 | 1 | | 1 | | | | 1 | 2 |
| 3150 | 3136.2 | 3163.8 | | 1 | 1 | | 1 | | | 2 | 1 | 1 |
| 3162.5 | 3148.7 | 3176.3 | 1 | 1 | 1 | | 1 | | | 2 | 1 | 1 |
| 3175 | 3161.2 | 3188.8 | | | 1 | | | | | | | 3 |
| 3187.5 | 3173.7 | 3201.3 | 1 | | 1 | | | | | | | 3 |
| 3200 | 3186.2 | 3213.8 | | 1 | 1 | | | | | | | 3 |
| 3212.5 | 3198.7 | 3226.3 | 1 | 1 | 1 | | | | | | | 3 |
| 3225 | 3211.2 | 3238.8 | | 1 | 1 | | | | | 2 | | 2 |
| 3237.5 | 3223.7 | 3251.3 | 1 | 1 | 1 | | | | | 2 | | 2 |
| 3250 | 3236.2 | 3263.8 | | 1 | 1 | | | 2 | | 1 | | 2 |
| 3262.5 | 3248.7 | 3276.3 | 1 | 1 | 1 | | | 2 | | 1 | | 2 |
| 3275 | 3261.2 | 3288.8 | | | 1 | | | | 3 | | | 2 |
| 3287.5 | 3273.7 | 3301.3 | 1 | | 1 | | | | 3 | | | 2 |
| 3300 | 3286.2 | 3313.8 | | | 1 | | | | 1 | | 1 | 2 |
| 3312.5 | 3298.7 | 3326.3 | 1 | | 1 | | | | 1 | | 1 | 2 |
| 3325 | 3311.2 | 3338.8 | | | 1 | | | | 1 | 1 | 3 | |
| 3337.5 | 3323.7 | 3351.3 | 1 | | 1 | | | | 1 | 1 | 3 | |
| 3350 | 3336.2 | 3363.8 | | | 1 | | 1 | | | | | 3 |
| 3362.5 | 3348.7 | 3376.3 | 1 | | 1 | | 1 | | | | | 3 |
| 3375 | 3361.2 | 3388.8 | | 1 | 1 | | 1 | | | | | 3 |
| 3387.5 | 3373.7 | 3401.3 | 1 | 1 | 1 | | 1 | | | | | 3 |
| 3400 | 3386.2 | 3413.8 | | 1 | 1 | | 1 | 1 | | | 1 | 2 |
| 3412.5 | 3398.7 | 3426.3 | 1 | 1 | 1 | | 1 | 1 | | | 1 | 2 |
| 3425 | 3411.2 | 3438.8 | | | 1 | | | | 2 | | 2 | 1 |
| 3437.5 | 3423.7 | 3451.3 | 1 | | 1 | | | | 2 | | 2 | 1 |
| 3450 | 3436.2 | 3463.8 | | | 1 | | | | | 1 | 1 | 2 |
| 3462.5 | 3448.7 | 3476.3 | 1 | | 1 | | | | | 1 | 1 | 2 |
| 3475 | 3461.2 | 3488.8 | | 1 | 1 | | | | | 1 | 1 | 2 |
| 3487.5 | 3473.7 | 3501.3 | 1 | 1 | 1 | | | | | 1 | 1 | 2 |
| 3500 | 3486.2 | 3513.8 | | | 1 | | | 2 | | 1 | 3 | |
| 3512.5 | 3498.7 | 3526.3 | 1 | | 1 | | | 2 | | 1 | 3 | |

F8 Combination Table 3000 – 4000 cm

| Height | | | Height compensation | | Head Spindle | Module | | | | | | |
|------------------|--------|--------|---------------------|----|--------------|--------|-----|-----|-----|-----|-----|------|
| h _{nom} | min | max | 12.5 | 25 | 100 | 125 | 175 | 275 | 375 | 525 | 775 | 1025 |
| | | | | | ±13.8 cm | | | | | | | |
| 3525 | 3511.2 | 3538.8 | | | 1 | | 2 | | | | | 3 |
| 3537.5 | 3523.7 | 3551.3 | 1 | | 1 | | 2 | | | | | 3 |
| 3550 | 3536.2 | 3563.8 | | | 1 | | | | 1 | | | 3 |
| 3562.5 | 3548.7 | 3576.3 | 1 | | 1 | | | | 1 | | | 3 |
| 3575 | 3561.2 | 3588.8 | | 1 | 1 | | | | 1 | | | 3 |
| 3587.5 | 3573.7 | 3601.3 | 1 | 1 | 1 | | | | 1 | | | 3 |
| 3600 | 3586.2 | 3613.8 | | | 1 | | | | 1 | 3 | 2 | |
| 3612.5 | 3598.7 | 3626.3 | 1 | | 1 | | | | 1 | 3 | 2 | |
| 3625 | 3611.2 | 3638.8 | | | 1 | | 1 | | | 1 | 1 | 2 |
| 3637.5 | 3623.7 | 3651.3 | 1 | | 1 | | 1 | | | 1 | 1 | 2 |
| 3650 | 3636.2 | 3663.8 | | | 1 | | 1 | | | 2 | 3 | |
| 3662.5 | 3648.7 | 3676.3 | 1 | | 1 | | 1 | | | 2 | 3 | |
| 3675 | 3661.2 | 3688.8 | | | 1 | | | | 2 | | 1 | 2 |
| 3687.5 | 3673.7 | 3701.3 | 1 | | 1 | | | | 2 | | 1 | 2 |
| 3700 | 3686.2 | 3713.8 | | | 1 | | | | | | 2 | 2 |
| 3712.5 | 3698.7 | 3726.3 | 1 | | 1 | | | | | | 2 | 2 |
| 3725 | 3711.2 | 3738.8 | | 1 | 1 | | | | | | 2 | 2 |
| 3737.5 | 3723.7 | 3751.3 | 1 | 1 | 1 | | | | | | 2 | 2 |
| 3750 | 3736.2 | 3763.8 | | 1 | 1 | | | 1 | | 1 | 1 | 2 |
| 3762.5 | 3748.7 | 3776.3 | 1 | 1 | 1 | | | 1 | | 1 | 1 | 2 |
| 3775 | 3761.2 | 3788.8 | | | 1 | 1 | 1 | | | 2 | 3 | |
| 3787.5 | 3773.7 | 3801.3 | 1 | | 1 | 1 | 1 | | | 2 | 3 | |
| 3800 | 3786.2 | 3813.8 | | | 1 | | | | 3 | | 2 | 1 |
| 3812.5 | 3798.7 | 3826.3 | 1 | | 1 | | | | 3 | | 2 | 1 |
| 3825 | 3811.2 | 3838.8 | | | 1 | | | | 1 | | 3 | 1 |
| 3837.5 | 3823.7 | 3851.3 | 1 | | 1 | | | | 1 | | 3 | 1 |
| 3850 | 3836.2 | 3863.8 | | 1 | 1 | 1 | | | | | 2 | 2 |
| 3862.5 | 3848.7 | 3876.3 | 1 | 1 | 1 | 1 | | | | | 2 | 2 |
| 3875 | 3861.2 | 3888.8 | | | 1 | | 1 | | | | 2 | 2 |
| 3887.5 | 3873.7 | 3901.3 | 1 | | 1 | | 1 | | | | 2 | 2 |
| 3900 | 3886.2 | 3913.8 | | 1 | 1 | | 1 | | | 1 | | 3 |
| 3912.5 | 3898.7 | 3926.3 | 1 | 1 | 1 | | 1 | | | 1 | | 3 |
| 3925 | 3911.2 | 3938.8 | | | 1 | | | | 2 | | | 3 |
| 3937.5 | 3923.7 | 3951.3 | 1 | | 1 | | | | 2 | | | 3 |
| 3950 | 3936.2 | 3963.8 | | | 1 | | | | | | | 3 |
| 3962.5 | 3948.7 | 3976.3 | 1 | | 1 | | | | | | | 3 |
| 3975 | 3961.2 | 3988.8 | | | 1 | | | | | 1 | | 1 |
| 3987.5 | 3973.7 | 4001.3 | 1 | | 1 | | | | | 1 | | 1 |
| 4000 | 3986.2 | 4013.8 | | | 1 | | | | | 3 | | |

Table F8.01

For lowering, a remaining distance for the spindle of approx. 8 cm is to be planned.

VST Heavy Duty Shoring Tower



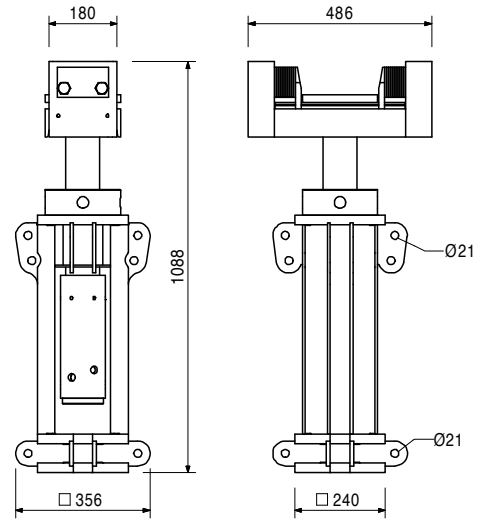
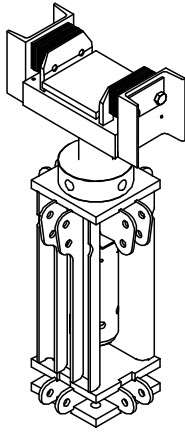
| Item no. | Weight kg |
|----------|-----------|
| 117465 | 172.000 |

Head Spindle VST 100

Head Spindle for VARIOKIT Heavy Duty Shoring Tower. Optional to use with Hydraulic Unit.

Technical Data

Permissible load-bearing capacity 70 t.



Accessories

| | |
|--------|--------|
| 117377 | 1.030 |
| 117678 | 17.400 |

Assembly Handhold VST Hydraulic Unit VST

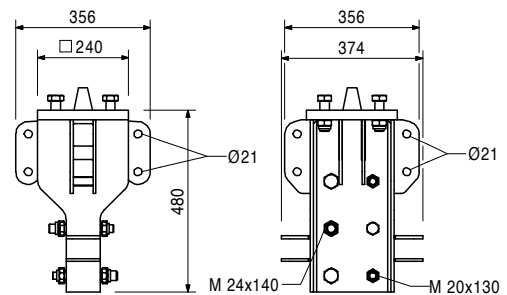
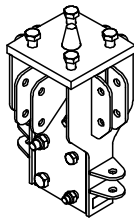
| | |
|--------|--------|
| 117454 | 48.200 |
|--------|--------|

Prop Connector VST 48

For connecting Climbing Rails RCS with Head Spindle VST or Height Adjust VST.

Complete with

- 3 pc. 114563 Bolt ISO 4014 M24 x 140-10.9
- 3 pc. 105032 Nut ISO 7042 M24-8, galv.
- 3 pc. 117452 Bolt ISO 4014 M20 x 130-10.9
- 3 pc. 781053 Nut ISO 7042 M20-8, galv.
- 4 pc. 105416 Bolt ISO 4014 M24 x 80-8.8, galv.



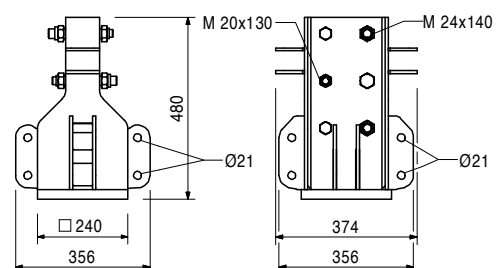
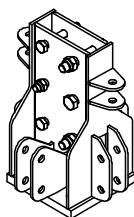
| | |
|--------|--------|
| 117453 | 45.500 |
|--------|--------|

Prop Base VST 48

Prop Base for VARIOKIT Heavy Duty Shoring Tower with connection for Climbing Rail RCS.

Complete with

- 3 pc. 114563 Bolt ISO 4014 M24 x 140-10.9
- 3 pc. 105032 Nut ISO 7042 M24-8, galv.
- 3 pc. 117452 Bolt ISO 4014 M20 x 130-10.9
- 3 pc. 781053 Nut ISO 7042 M20-8, galv.



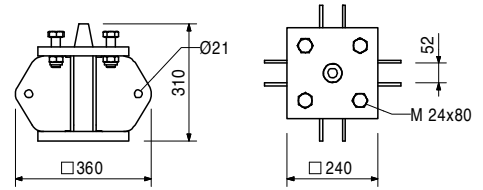
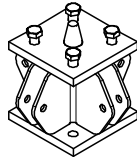
VST Heavy Duty Shoring Tower



| Item no. | Weight kg |
|----------|-----------|
| 117391 | 35.400 |

Height Adjust VST 25
As 25 cm height compensation.

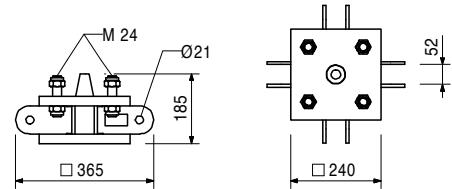
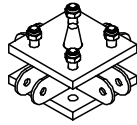
Complete with
4 pc. 105416 Bolt ISO 4014 M24 x 80-8.8, galv.
4 pc. 105032 Nut ISO 7042 M24-8, galv.



| | |
|--------|--------|
| 117433 | 28.900 |
|--------|--------|

Height Adjust VST 12.5
As 12.5 cm height compensation.

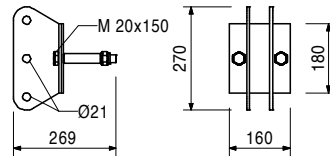
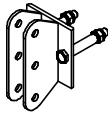
Complete with
4 pc. 117429 Thread Bolt VST M24, galv.
8 pc. 105032 Nut ISO 7042 M24-8, galv.



| | |
|--------|-------|
| 117425 | 7.090 |
|--------|-------|

Cross Connector VST
For connecting Horizontal Ledgers VST and Diagonal Struts VST cross to the direction of the frame.

Complete with
2 pc. 113994 Bolt ISO 4014 M20 x 140-8.8, galv.
2 pc. 781053 Nut ISO 7042 M20-8, galv.
1 pc. 117492 Sleeve VST, galv.



VST Heavy Duty Shoring Tower



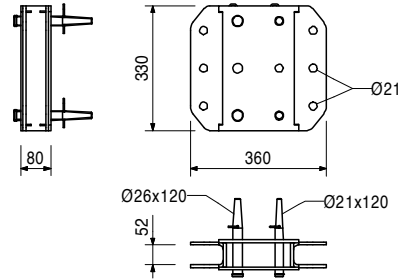
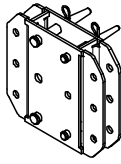
| Item no. | Weight kg |
|----------|-----------|
| 117411 | 18.600 |

Bracing Connector VST

For connecting Horizontal Ledgers VST and Diagonal Struts VST in direction of the frame.

Complete with

- 2 pc. 104031 Fitting Pin \varnothing 21 x 120
- 2 pc. 111567 Fitting Pin \varnothing 26 x 120
- 2 pc. 018060 Cotter Pin 4/1, galv.
- 2 pc. 022230 Cotter Pin 5/1, galv.



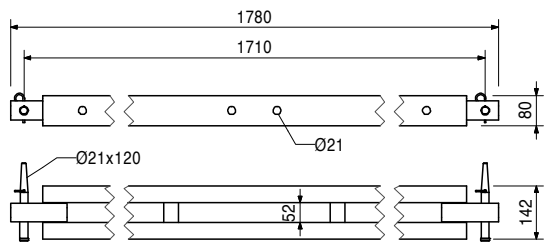
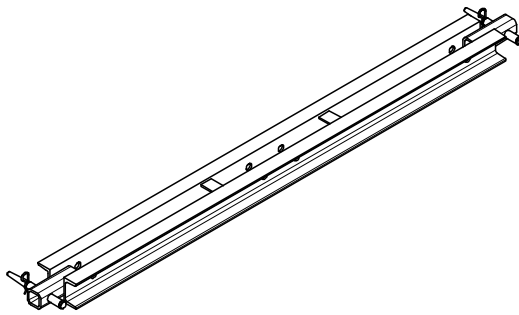
| | |
|--------|--------|
| 117371 | 31.400 |
|--------|--------|

Horizontal Ledger VST 200

As Horizontal Ledger for the legs. Results in a leg distance of 2.00 m.

Complete with

- 2 pc. 104031 Fitting Pin \varnothing 21 x 120
- 2 pc. 018060 Cotter Pin 4/1, galv.



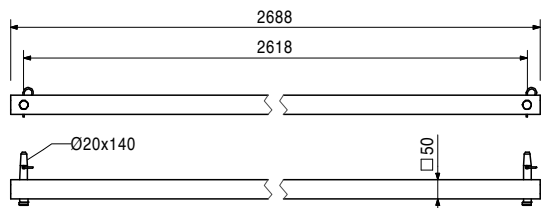
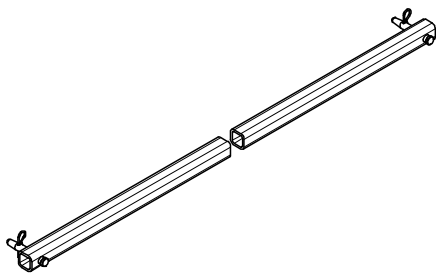
| | |
|--------|--------|
| 117504 | 21.700 |
|--------|--------|

Horizontal Brace VST 200/200

For horizontal bracing of the legs.

Complete with

- 2 pc. 105400 Pin \varnothing 20 x 140, galv.
- 2 pc. 018060 Cotter Pin 4/1, galv.



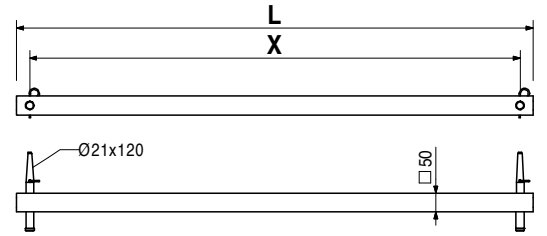
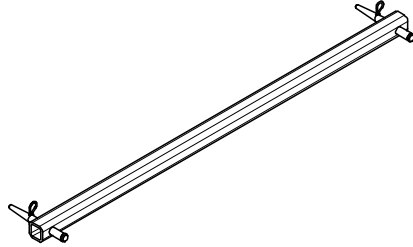
VST Heavy Duty Shoring Tower

Item no. Weight kg

| | | |
|--------|--------|-------------------------------------|
| | | Diagonal Struts VST |
| 117388 | 8.910 | Diagonal Strut VST 200/62.5 |
| 117382 | 10.900 | Diagonal Strut VST 200/100 |
| 117385 | 11.700 | Diagonal Strut VST 200/112.5 |
| 117379 | 14.100 | Diagonal Strut VST 200/150 |

| L | X |
|------|------|
| 1019 | 953 |
| 1271 | 1201 |
| 1367 | 1297 |
| 1680 | 1610 |

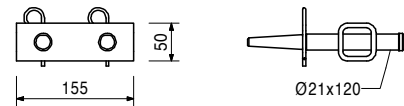
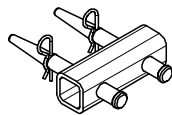
Complete with
 2 pc. 104031 Fitting Pin Ø 21 x 120
 2 pc. 018060 Cotter Pin 4/1, galv.



117696 2.130

Horizontal Connector VST
 To connect additional legs to the standard frames.
 Spacing 375 mm.

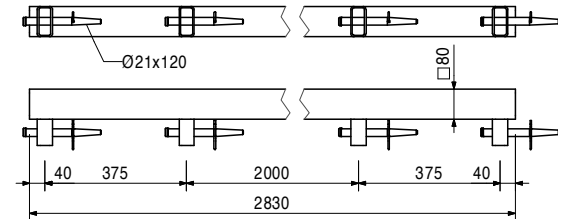
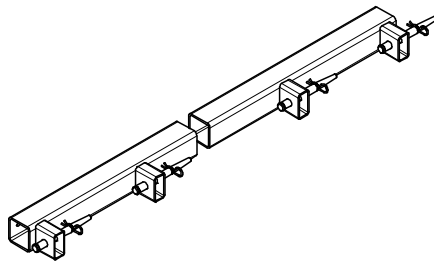
Complete with
 2 pc. 104031 Fitting Pin Ø 21 x 120
 2 pc. 018060 Cotter Pin 4/1, galv.



117712 35.700

Leg-Connector VST
 To connect additional legs to the standard frames.
 Spacing 375 mm.

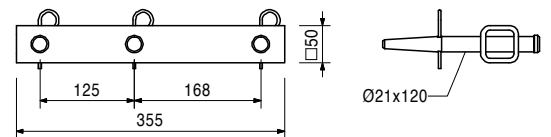
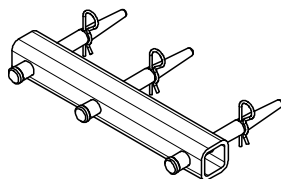
Complete with
 4 pc. 104031 Fitting Pin Ø 21 x 120
 4 pc. 018060 Cotter Pin 4/1, galv.



123823 4.160

Adapter VST- SRU
 Adapter for connecting SRU-Ledger as Horizontal Ledger to VARIOKIT Heavy Duty Shoring Tower.

Complete with
 3 pc. 104031 Fitting Pin Ø 21 x 120
 3 pc. 018060 Cotter Pin 4/1, galv.



VST Heavy Duty Shoring Tower



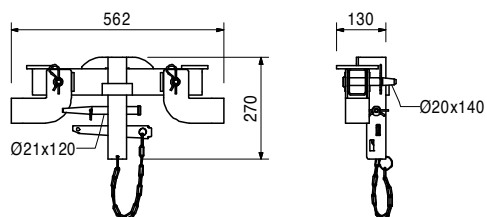
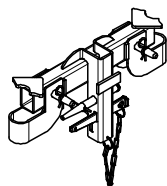
| Item no. | Weight kg |
|----------|-----------|
| 117707 | 9.200 |

Connector UP-VST

Adaptor for mounting PERI UP scaffold parts to the VARIOKIT Heavy Duty Shoring Tower.

Complete with

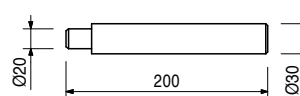
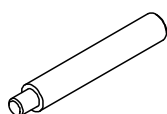
- 1 pc. 104031 Fitting Pin \varnothing 21 x 120
- 2 pc. 105400 Pin \varnothing 20 x 140, galv.
- 3 pc. 018060 Cotter Pin 4/1, galv.
- 2 pc. 117701 Connection Plate Pcoat
- 1 pc. 024250 Wedge K, galv.



| | |
|--------|-------|
| 117377 | 1.030 |
|--------|-------|

Assembly Handhold VST

For adjusting Head Spindle VST 100.



| | |
|--------|--------|
| 117678 | 17.400 |
|--------|--------|

Hydraulic Unit VST

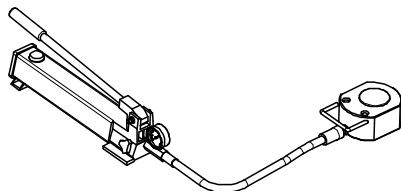
Flexible hydraulic unit for the use in the Head Spindle VST 100.

Note

Follow Instructions for Use!

Technical Data

Stroke height 16 mm.



VST Heavy Duty Shoring Tower



Item no. Weight kg

| Item no. | Weight kg | Steel Waler Universal SRU |
|----------|-----------|--|
| 103868 | 18.100 | Steel Waler Universal SRU U120, l = 0.72 m |
| 103871 | 24.200 | Steel Waler Universal SRU U120, l = 0.97 m |
| 103874 | 30.900 | Steel Waler Universal SRU U120, l = 1.22 m |
| 103877 | 38.100 | Steel Waler Universal SRU U120, l = 1.47 m |
| 103886 | 44.700 | Steel Waler Universal SRU U120, l = 1.72 m |
| 103889 | 52.000 | Steel Waler Universal SRU U120, l = 1.97 m |
| 103898 | 58.600 | Steel Waler Universal SRU U120, l = 2.22 m |
| 103892 | 65.600 | Steel Waler Universal SRU U120, l = 2.47 m |
| 103929 | 72.000 | Steel Waler Universal SRU U120, l = 2.72 m |
| 103903 | 81.000 | Steel Waler Universal SRU U120, l = 2.97 m |
| 103906 | 92.600 | Steel Waler Universal SRU U120, l = 3.47 m |
| 103915 | 106.000 | Steel Waler Universal SRU U120, l = 3.97 m |
| 103918 | 119.000 | Steel Waler Universal SRU U120, l = 4.47 m |
| 103922 | 135.000 | Steel Waler Universal SRU U120, l = 4.97 m |
| 103925 | 146.000 | Steel Waler Universal SRU U120, l = 5.47 m |
| 103928 | 159.000 | Steel Waler Universal SRU U120, l = 5.97 m |

Universal Steel Waler Profile U120 used as waling for girder wall formwork and for diverse special applications. With adjustable spacers.

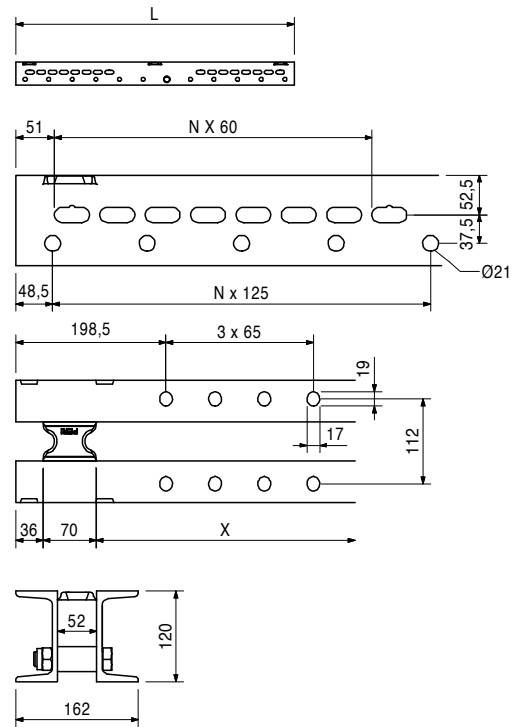
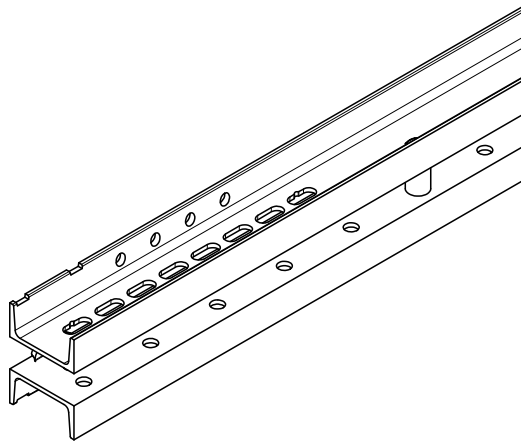
| L |
|------|
| 722 |
| 972 |
| 1222 |
| 1472 |
| 1722 |
| 1972 |
| 2222 |
| 2472 |
| 2722 |
| 2972 |
| 3472 |
| 3972 |
| 4472 |
| 4972 |
| 5472 |
| 5972 |

Note

Permissible load: see PERI Design Tables.

Technical Data

U120: $W_y = 121.4 \text{ cm}^3$, $I_y = 728 \text{ cm}^4$.



104027 7.610

Extension VARIO 24 U120

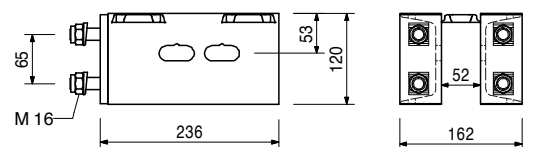
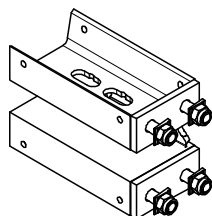
For assembly on Steel Waler SRU.

Complete with

- 4 pc. 710252 Bolt ISO 4017 M16 x 50-8.8, galv.
- 4 pc. 104024 Nut ISO 7040 M16-8, galv.
- 4 pc. 710880 Washer DIN 434 18, galv.

Technical Data

U120: $W_y = 121.4 \text{ cm}^3$, $I_y = 728 \text{ cm}^4$.

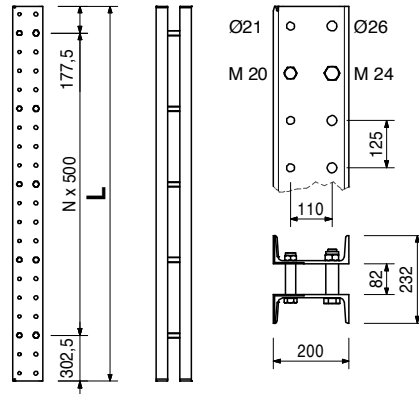


VST Heavy Duty Shoring Tower

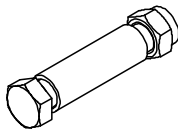


| Item no. | Weight kg | | L |
|----------|-----------|------------------------------|------|
| 114166 | 78.200 | Climbing Rails RCS | 1480 |
| 109610 | 524.000 | Climbing Rail RCS 148 | 9980 |
| 109472 | 393.000 | Climbing Rail RCS 748 | 7480 |
| 109471 | 262.000 | Climbing Rail RCS 498 | 4980 |
| 109470 | 182.000 | Climbing Rail RCS 348 | 3480 |
| 109469 | 130.000 | Climbing Rail RCS 248 | 2480 |
| 112102 | 156.000 | Climbing Rail RCS 298 | 2980 |
| 112141 | 209.000 | Climbing Rail RCS 398 | 3980 |

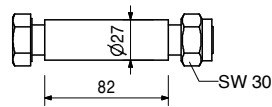
Steel profile for all-purpose use of climbing application or civil constructions. With Spacers M20-82 and M24-82.



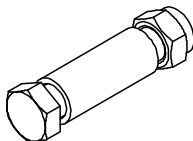
110022 0.491 **Spacer M20-82**
Spacer for Climbing Rails RCS.



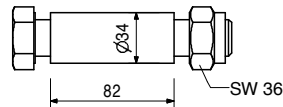
Complete with
1 pc. 104477 Bolt ISO 4014 M20 x 120-8.8, galv.
1 pc. 130341 Nut ISO 7042 M20-8, galv.



110023 0.910 **Spacer M24-82**
Spacer for Climbing Rails RCS.



Complete with
1 pc. 109612 Bolt ISO 4014 M24 x 130-8.8, galv.
1 pc. 130342 Nut ISO 7042 M24-8, galv.



VST Heavy Duty Shoring Tower

Item no. Weight kg

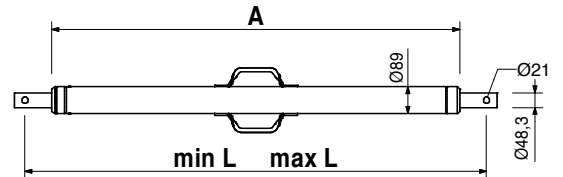
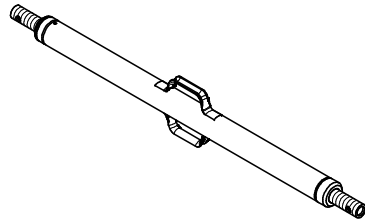
| Item no. | Weight kg | Heavy Duty Spindles SLS |
|----------|-----------|--------------------------------|
| 111035 | 12.100 | Heavy Duty Spindle SLS 40/80 |
| 101773 | 14.700 | Heavy Duty Spindle SLS 80/140 |
| 101774 | 18.200 | Heavy Duty Spindle SLS 100/180 |
| 101776 | 24.700 | Heavy Duty Spindle SLS 140/240 |
| 101778 | 32.100 | Heavy Duty Spindle SLS 200/300 |
| 101779 | 38.300 | Heavy Duty Spindle SLS 260/360 |
| 109726 | 44.600 | Heavy Duty Spindle SLS 320/420 |
| 109785 | 50.800 | Heavy Duty Spindle SLS 380/480 |

Used as adjustable spindle for truss beams made of Steel Walers SRU and Climbing Rails RCS.

| A | min. L | max. L |
|------|--------|--------|
| 344 | 400 | 800 |
| 746 | 800 | 1400 |
| 946 | 1000 | 1800 |
| 1346 | 1400 | 2400 |
| 1944 | 2000 | 3000 |
| 2544 | 2600 | 3600 |
| 3144 | 3200 | 4200 |
| 3744 | 3800 | 4800 |

Note

Permissible load see PERI Design Tables.



Accessories

| | | |
|--------|-------|-------------------------|
| 104031 | 0.462 | Fitting Pin Ø 21 x 120 |
| 018060 | 0.030 | Cotter Pin 4/1, galv. |
| 110477 | 3.990 | Spindle Adapter SLS/RCS |

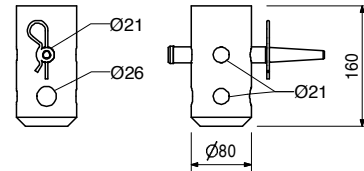
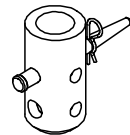
110477 3.990

Spindle Adapter SLS/RCS

For connecting the Heavy-Duty Spindle SLS to the Climbing Rail RCS.

Complete with

1 pc. 104031 Fitting Pin Ø 21 x 120
1 pc. 018060 Cotter Pin 4/1, galv.



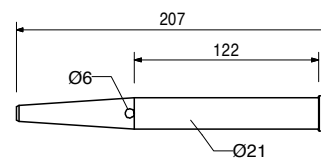
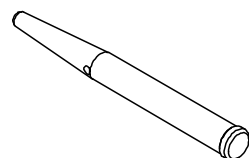
Accessories

| | | |
|--------|-------|------------------------|
| 104031 | 0.462 | Fitting Pin Ø 21 x 120 |
| 018060 | 0.030 | Cotter Pin 4/1, galv. |
| 111567 | 0.729 | Fitting Pin Ø 26 x 120 |
| 022230 | 0.033 | Cotter Pin 5/1, galv. |

104031 0.462

Fitting Pin Ø 21 x 120

For different connections.

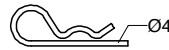


Accessories

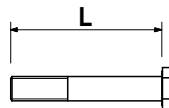
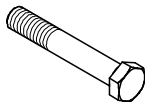
| | | |
|--------|-------|-----------------------|
| 018060 | 0.030 | Cotter Pin 4/1, galv. |
|--------|-------|-----------------------|

VST Heavy Duty Shoring Tower

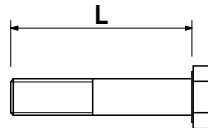
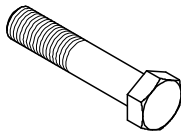
| Item no. | Weight kg | |
|----------|-----------|------------------------------|
| 018060 | 0.030 | Cotter Pin 4/1, galv. |



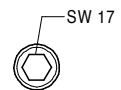
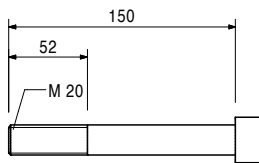
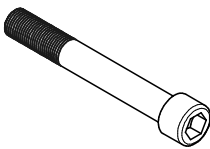
| | | Bolts ISO 4014 | L |
|--------|-------|---|----------|
| 105416 | 0.360 | Bolt ISO 4014 M24 x 80-8.8, galv. | 80 |
| 113994 | 0.421 | Bolt ISO 4014 M20 x 140-8.8, galv. | 140 |



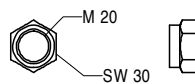
| | | Bolts ISO 4014 | L |
|--------|-------|-------------------------------------|----------|
| 117452 | 0.360 | Bolt ISO 4014 M20 x 130-10.9 | 130 |
| 114563 | 0.627 | Bolt ISO 4014 M24 x 140-10.9 | 140 |



| | | |
|--------|-------|--|
| 118256 | 0.020 | Cyl. Bolt ISO 4762 M20 x 150-8.8, galv. |
|--------|-------|--|

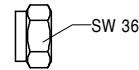


| | | |
|--------|-------|---|
| 781053 | 0.065 | Nut ISO 7042 M20-8, galv. Self-locking. |
|--------|-------|---|

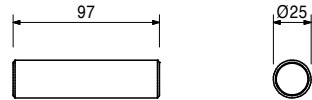
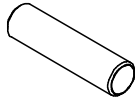


VST Heavy Duty Shoring Tower

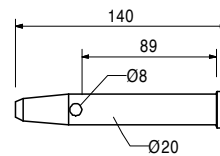
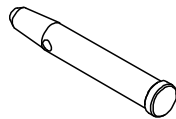
| Item no. | Weight kg | |
|----------|-----------|---|
| 105032 | 0.070 | Nut ISO 7042 M24-8, galv. Self-locking. |



| | | |
|--------|-------|--------------------------|
| 117492 | 0.109 | Sleeve VST, galv. |
|--------|-------|--------------------------|

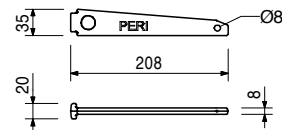


| | | |
|--------|-------|--|
| 105400 | 0.330 | Pin Ø 20 x 140, galv. For different connections. |
|--------|-------|--|



| | | Accessories |
|--------|-------|------------------------------|
| 018060 | 0.030 | Cotter Pin 4/1, galv. |

| | | |
|--------|-------|---|
| 024250 | 0.331 | Wedge K, galv. For Coupling Compression Plate KDP, Wedge Head Piece SRZ/SRU and Waler Connector SB-A, B, C. |
|--------|-------|---|



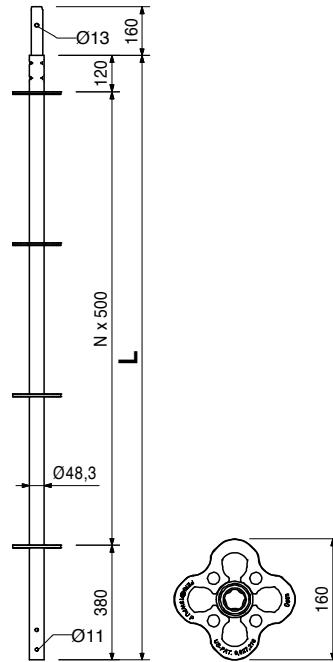
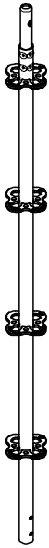
VST Heavy Duty Shoring Tower

Item no. Weight kg

| | | |
|--------|--------|-------------------------|
| | | Standards UVR |
| 102860 | 7.690 | Standard UVR 150 |
| 100012 | 14.700 | Standard UVR 300 |

L

| |
|------|
| 1500 |
| 3000 |

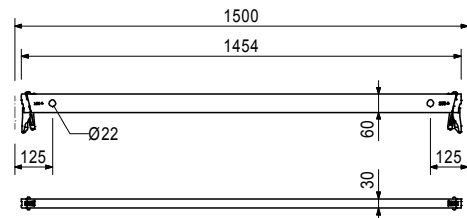
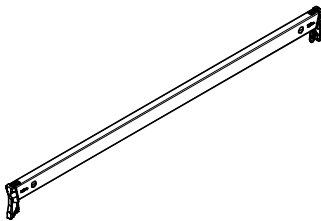


100021 4.690

Ledger UH 150

Note

As of 01.07.2009, only available as rentable item.



030030 1.440
030050 0.000

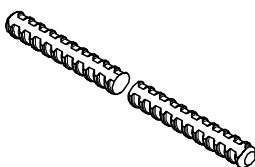
Tie Rod DW 15, spec. length
Tie Rod DW 15, spec. length
Cutting Cost Tie Rod DW 15, B 15

Note

Non-weldable! Take official approval into consideration!

Technical Data

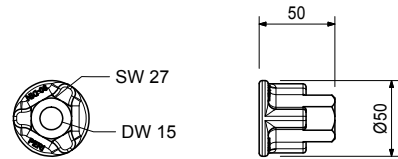
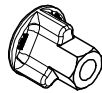
Permissible tension force 90 kN.



| Item no. | Weight kg |
|----------|-----------|
| 030130 | 0.318 |

Cam Nut DW 15, galv.
For anchoring with Tie Rod DW 15 and B 15.

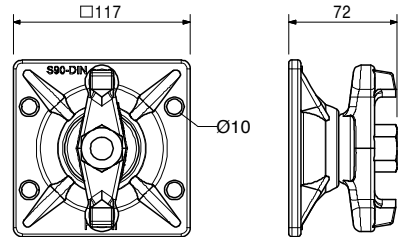
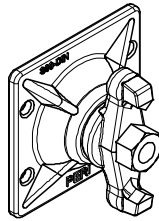
Technical Data
Permissible load 90 kN.



| | |
|--------|-------|
| 030370 | 1.660 |
|--------|-------|

Wingnut Pivot Plate DW 15, galv.
For anchoring with Tie Rod DW 15 and B 15. With pivoting captive nut. Maximum angle of tilting 8°.

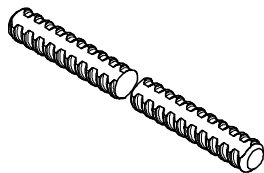
Note
Wrench size SW 27.
Technical Data
Permissible load 90 kN.



| | |
|--------|-------|
| 030340 | 4.480 |
| 030500 | 0.000 |

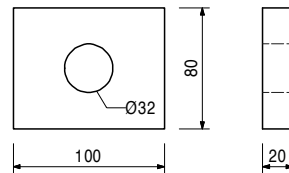
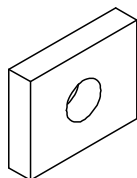
Tie Rod DW 26, spec. length
Tie Rod DW 26, spec. length
Cutting Cost Tie Rod DW 26

Note
Non-weldable! Take official approval into consideration!
Technical Data
Permissible tension force 250 kN.



| | |
|--------|-------|
| 123825 | 1.130 |
|--------|-------|

Counterplate DW 26

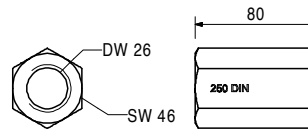
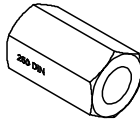


VST Heavy Duty Shoring Tower

| Item no. | Weight kg |
|----------|-----------|
| 030970 | 0.800 |

Hex. Coupler DW 26 SW 46/80, weldable
For anchoring with Tie Rod DW 26.

Note
Weldable!
Technical Data
Permissible load 250 kN.



**The optimal System
for every Project and
every Requirement**



Wall Formwork



Column Formwork



Slab Formwork



Climbing Systems



Bridge Formwork



Tunnel Formwork



Shoring Systems



Construction Scaffold



Facade Scaffold



Industrial Scaffold



Access



Protection Scaffold



Safety Systems



System-Independent Accessories



Services



PERI GmbH
Formwork Scaffolding Engineering
 Rudolf-Diesel-Strasse 19
 89264 Weissenhorn
 Germany
 Tel. +49 (0)7309.950-0
 Fax +49 (0)7309.951-0
 info@peri.com
 www.peri.com