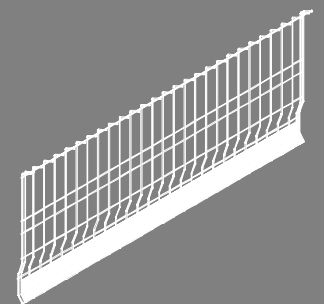
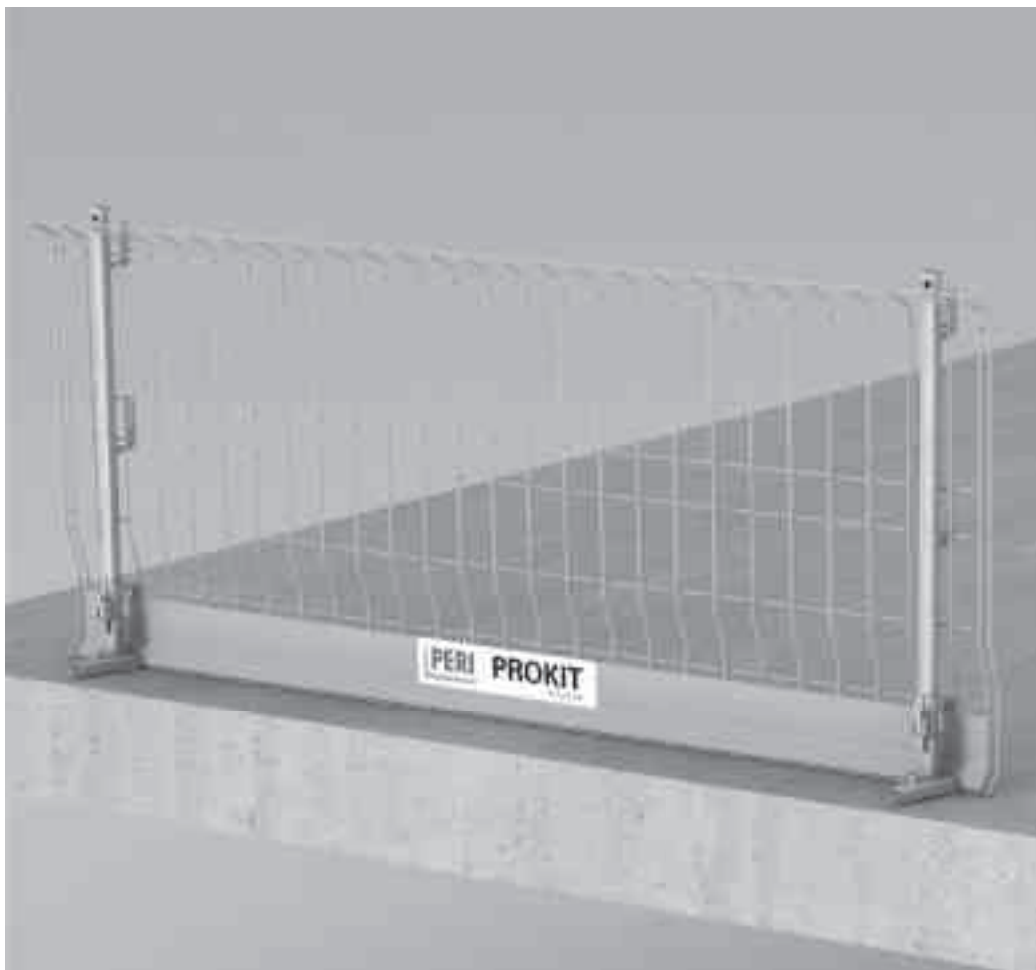


PROKIT EP 110 Safety System

Instructions for Assembly and Use – Standard Configuration - Edition 06 | 2017



Overview

System components	3
Key	4
Presentational reference	4

Introduction

Target groups	5
Additional technical documentation	5
Intended use	6
Instructions on use	6
Cleaning and maintenance instructions	7

Safety instructions

Cross-system	8
System-specific	9
Safety during assembly	9
Identification markings	10
Inspection and hand-over	10

Selection

Post connection	11
Guardrails	11

System components

A1	Storage and transportation	
	Storage	12
	Pallet Cage 80 x 120	12
	Pallet EP 110	13
	Transport	13
A2	Post connections	
	Slab Foot PDF	14
	Side Foot PSF	15
	Uni-Clamp PUC	16
	Sheet Piling Clamp PSC	18
A3	Posts	
	Post PP	21
A4	Guardrails	
	Side Mesh Barrier PMB	22
	Assembly options with the Side Foot	23
	Guardrails and toe boards	24
A5	Increasing the height of the side protection	
	Post Extension PPE	25
A6	Stairs	26

Components

PROKIT EP 110	28
---------------	----

System components

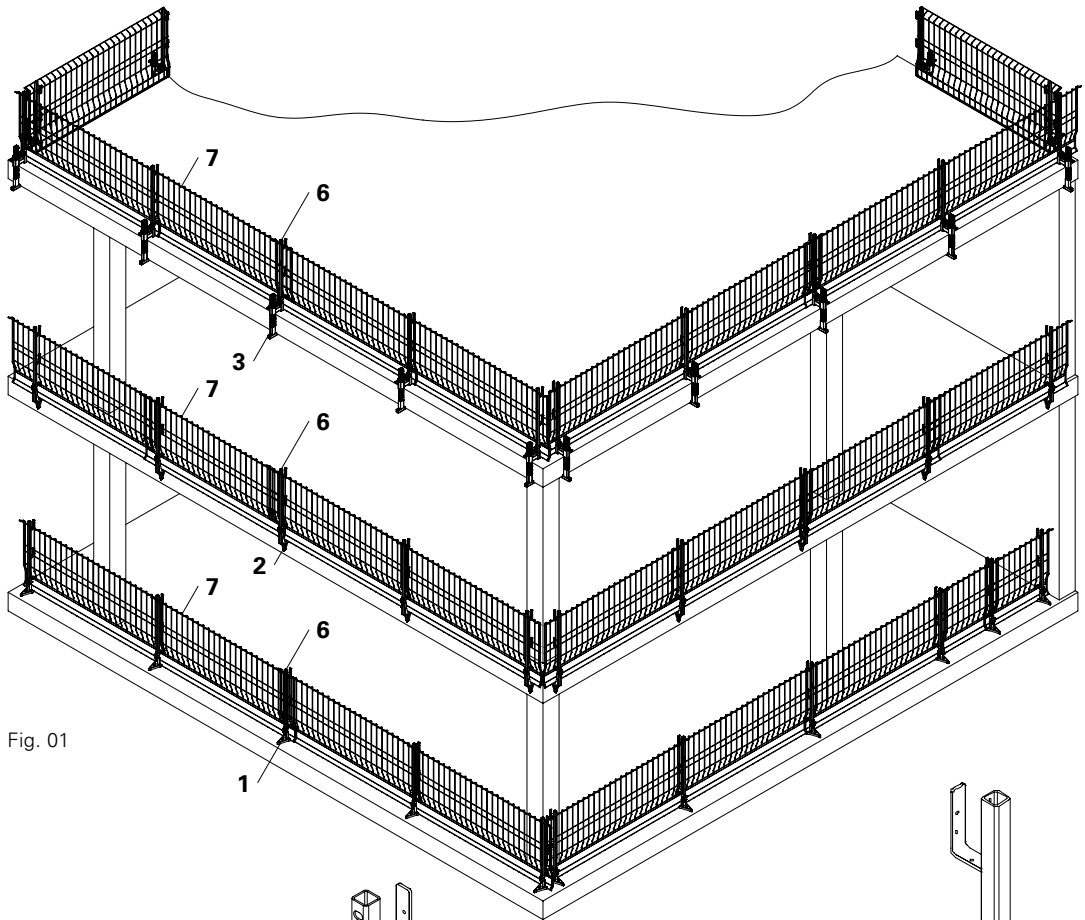


Fig. 01

- 1 Slab Foot PDF
- 2 Side Foot PSF
- 3 Uni-Clamp PUC
- 4 Sheet Piling Clamp PSC
- 5 Anchor Bolt PERI 14 x 150
- 6 Post PP
- 7 Side Mesh Barrier PMB
- 8 Post Extension PPE

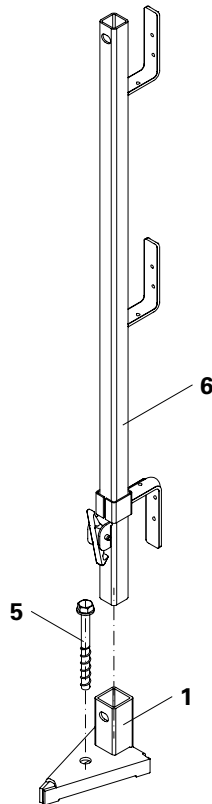


Fig. 02a

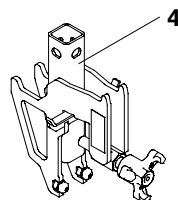


Fig. 02d

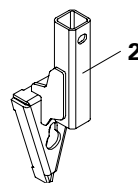


Fig. 02b

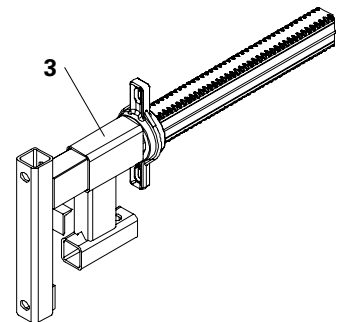


Fig. 02c

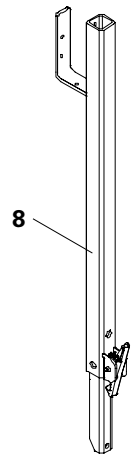


Fig. 02e

Key

Pictogram | Definition



Safety instructions



Note



Load-bearing point



Visual check



Tip



Misapplication

Dimension specifications

Dimensions are usually given in cm. Other measurement units, e.g. m, are shown in the illustrations.

Conventions

- Instructions are numbered with:
1., 2., 3.
- The result of an instruction is shown by: →
- Position numbers are clearly provided for the individual components and are given in the drawing, e.g. **1**, in the text in brackets, for example (1).
- Multiple position numbers, i.e. alternative components, are represented with a slash: e.g. **1 / 2**.
- Sub-assemblies of system components have a small letter attached, e.g. 5a.
- System components of different sizes have an additional number attached which is separated by a dot, e.g. 9.1.

Arrows

- ➔ Arrow representing an action
- ⇒ Arrow representing a reaction of an action*
- Forces

* If not identical to the action arrow.

Presentational reference

The illustration on the front cover of these instructions is understood to be a system representation only. The assembly steps presented in these Instructions for Assembly and Use are shown in the form of examples with only one component size. They are correspondingly valid for all component sizes contained in the standard configuration.

For a better understanding, detailed illustrations are partly incomplete. The safety installations which have possibly not been featured in these detailed drawings must nevertheless still be available.

Target groups

Contractors

These Instructions for Assembly and Use are designed for use by those contractors who assemble, modify and dismantle the safety system.

Construction site coordinator

The Safety and Health Coordinator*

- is appointed by the client,
- must identify potential hazards during the planning phase,
- determines measures that provide protection against risks,
- creates a safety and health plan,
- coordinates the protective measures for the contractor and site personnel so that they do not endanger each other,
- monitors compliance with the protective measures.

Competent personnel

Due to the specialist knowledge gained from professional training, work experience, and recent professional activity, the competent person has a reliable understanding of safety-related issues and can correctly carry out inspections. Depending on the complexity of the test to be undertaken, e.g. scope of testing, type of testing or the use of a certain measuring device, a range of specialist knowledge is necessary.

Qualified persons

The safety system may only be assembled, modified or dismantled by personnel who are suitably qualified to do so. For the work to be carried out, the qualified persons must have received instructions** which contain at least the following points:

- Explanation of the plan for the assembly, modification or dismantling of the safety system in an understandable form and language.
- Description of measures in order to safely assemble, modify or dismantle the safety system.
- Designation of the preventive measures to avoid the risk of persons and objects falling.

- Designation of the safety precautions in the event of changing weather conditions which could adversely affect the reliability of the safety system as well as the safety of the personnel concerned.
- Description of any other risks that are associated with the assembly, modification or dismantling procedures.



- In other countries, ensure that the relevant national guidelines and regulations in the respective current version are complied with!
- If no country-specific regulations are available, it is recommended to proceed according to German rules and regulations.

* Valid in Germany: Regulations for Occupational Health and Safety on Construction Sites 30 (RAB 30).

** Instructions are given by the contractor himself or a competent person selected by him.

Additional technical documentation

- Instructions for Use for Pallets and Stacking Devices
- Data sheet:
 - Anchor Bolt PERI 14 x 150
 - Screw-On Sleeve PERI M16/164
- Brochure: PROKIT EP 110 – Safety System

Intended use

General

PROKIT EP 110 – Safety System

- provides temporary side protection on slabs, walls, stairs as well as sheet piling,
- secures building edges for work to be carried out after concreting,
- allows flexible use with different post connections, one post and side mesh barriers of various lengths, also when accommodating complicated building geometries,
- with the help of the Post Extension PPE, side protection can be increased to a height of 175 cm.

System dimensions

Side Mesh Barrier PMB:

- Lengths:
 - 260 cm
 - 240 cm
 - 120 cm
 - 90 cm
- Height: 110 cm

Technical data

Slab thickness for assembly

- from above: ≥ 20 cm
- front side: ≥ 30 cm

For stair areas, wooden handrail boards are used as side protection.

Instructions on use

The use in a way not intended, deviating from the standard configuration or the intended use according to the Instructions for Assembly and Use, represents a misapplication with a potential safety risk, e.g. risk of falling.

Only PERI original components may be used. The use of other products and spare parts is not allowed.

Changes to PERI components are not permitted.

Cleaning and maintenance instructions

In order to maintain the value and operational readiness of the materials over the long term, clean the elements after each use.

Some repair work may also be inevitable due to the tough working conditions.

The following points should help to keep cleaning and maintenance costs as low as possible.

Never clean powder-coated components, e.g. elements and accessories, with a steel brush or hard metal scraper; this ensures that the powder-coating remains intact.

Mechanical components, e.g. spindles or gear units, must be cleaned of dirt or concrete residue before and after use.

Provide suitable support for the components during cleaning so that no unintentional change in their position is possible.

Do not clean components suspended on a crane.

Cross-system

General

The contractor must ensure that the Instructions for Assembly and Use supplied by PERI are available at all times and understood by the site personnel.

These Instructions for Assembly and Use can be used as the basis for creating a risk assessment. The risk assessment is compiled by the contractor. The Instructions for Assembly and Use do not replace the risk assessment!

Always take into consideration and comply with the safety instructions and permissible loads.

For the application and inspection of PERI products, the current safety regulations and guidelines must be observed in the respective countries where they are being used.

Materials and working areas are to be inspected on a regular basis, especially before each use and assembly, for:

- signs of damage,
- stability and
- function.

Damaged components must be exchanged immediately on site and may no longer be used.

Safety components are to be removed only when they are no longer required.

Components provided by the contractor must conform with the characteristics required in these Instructions for Assembly and Use as well as all valid construction guidelines and standards. Unless otherwise indicated, this applies in particular to:

- Timber components:
Strength Class C24 for Solid Wood according to EN 338.
- Scaffold tubes:
galvanised steel tubes with minimum dimensions of $\varnothing 48.3 \times 3.2$ mm according to EN 12811-1:2003 4.2.1.2.
- Scaffold tube couplings according to EN 74.

Deviations from the standard configuration are only permitted after a further risk assessment has been carried out by the contractor.

On the basis of this risk assessment, appropriate measures for working and operational safety as well as stability are to be determined.

Corresponding proof of stability can be provided by PERI on request if the risk assessment and resulting measures to be implemented are made available.

Before and after exceptional occurrences that may have an adverse effect regarding the safety of the formwork system, the contractor must immediately

- create another risk assessment, with appropriate measures for ensuring the stability of the formwork system being carried out based on the results,
- and arrange for an extraordinary inspection by a competent person. The aim of this inspection is to identify and rectify any damage in good time in order to guarantee the safe use of the formwork system.

Exceptional occurrences can include:

- accidents,
- longer periods of non-use,
- natural events, e.g. heavy rainfall, icing, heavy snowfall, storms or earthquakes.

Assembly, modification and dismantling work

Assembly, modification or dismantling of formwork systems may only be carried out by qualified persons and under the supervision of a competent person.

The qualified persons must have received appropriate training for the work to be carried out with regard to specific risks and dangers.

On the basis of the risk assessment and Instructions for Assembly and Use, the contractor must create installation instructions in order to ensure safe assembly, modification and dismantling of the formwork system.

The contractor must ensure that the personal protective equipment required for the assembly, modification or dismantling of the formwork system, e.g.

- safety helmet,
- safety shoes,
- safety gloves,
- safety glasses,

is available and used as intended.

If personal protective equipment against falling (PPE) is required or specified in local regulations, the contractor must determine appropriate attachment points on the basis of the risk assessment.

The personal protective equipment against falling to be used is determined by the contractor.

The contractor must

- provide safe working areas for site personnel which are to be reached through the provision of safe access ways. Areas of risk must be cordoned off and clearly marked,
- ensure the stability during all stages of construction, in particular during assembly, modification and dismantling operations,
- ensure and prove that all loads can be safely transferred.

Utilisation

Every contractor who uses or allows formwork systems or sections of the formwork to be used, has the responsibility for ensuring that the equipment is in good condition.

If the formwork system is used successively or at the same time by several contractors, the health and safety coordinator must point out any possible mutual hazards and all work must be then coordinated.

System-specific



Risk of falling due to leading edges. Serious injuries may occur. Either assemble the PROKIT EP 110 – Safety System whilst positioned on a secure working and protection scaffold or wear personal protective equipment against falls (PPE). Attachment points for the PPE against falling are project-specifically determined.

PROKIT EP 110 – Safety System

- before dismantling, install the working scaffold or working platforms positioned below,
- dismantling takes place only if the facade is closed or the site management has given the go-ahead,
- assembly takes place only if sufficient concrete strength has been reached.

When working on leading slab edges suitable fall protection measures must be maintained, e.g. the use of personal protective equipment against falling in the way intended.

Guardrails and toe boards must be mounted so that no horizontal movement is possible nor can they be lifted out vertically.

Safety during assembly

Safety measures for the standard configuration



In order to guarantee the protection against falling, the contractor must create a site-specific risk assessment for the assembly, dismantling and modification of the PROKIT EP 110 – Safety System as well as its intended use. On the basis of this risk assessment, the contractor must take suitable measures to ensure effective anti-fall protection.



- Comply with national regulations regarding fall height and anti-fall protection. If the attachment of side protection is not possible due to technical reasons, personal protective equipment (PPE) against falling must be used in accordance with its intended purpose.
- Technical and collective safety measures are to be given preference over individual solutions.
- The side protection which has been installed must be inspected and approved by a qualified person before the initial use.

Selection of personal protective equipment (PPE) against falling

The PPE against falling requires the following:

- It must be suitable for the conditions prevailing at the working area.
- It must provide protection against the risks involved and at the same time ensure that these measures themselves do not lead to any increased risk.
- The selected PPE against falling must comply with the relevant regulations and codes of practice in the respective country where it is being used.
- The length selected must rule out the possibility of falling off the edge.

Choice of attachment points

Attachment points require the following:

- If possible, select attachment points overhead.
- Select an attachment point so that a pendulum fall is prevented.
- The load-bearing capacity of the attachment point, building or supporting surface must be ensured in order to accommodate the forces which arise during a fall.
- The attachment point must be able to handle loads in all directions.

Assembly suggestions

For the PROKIT EP 110 - Safety System:

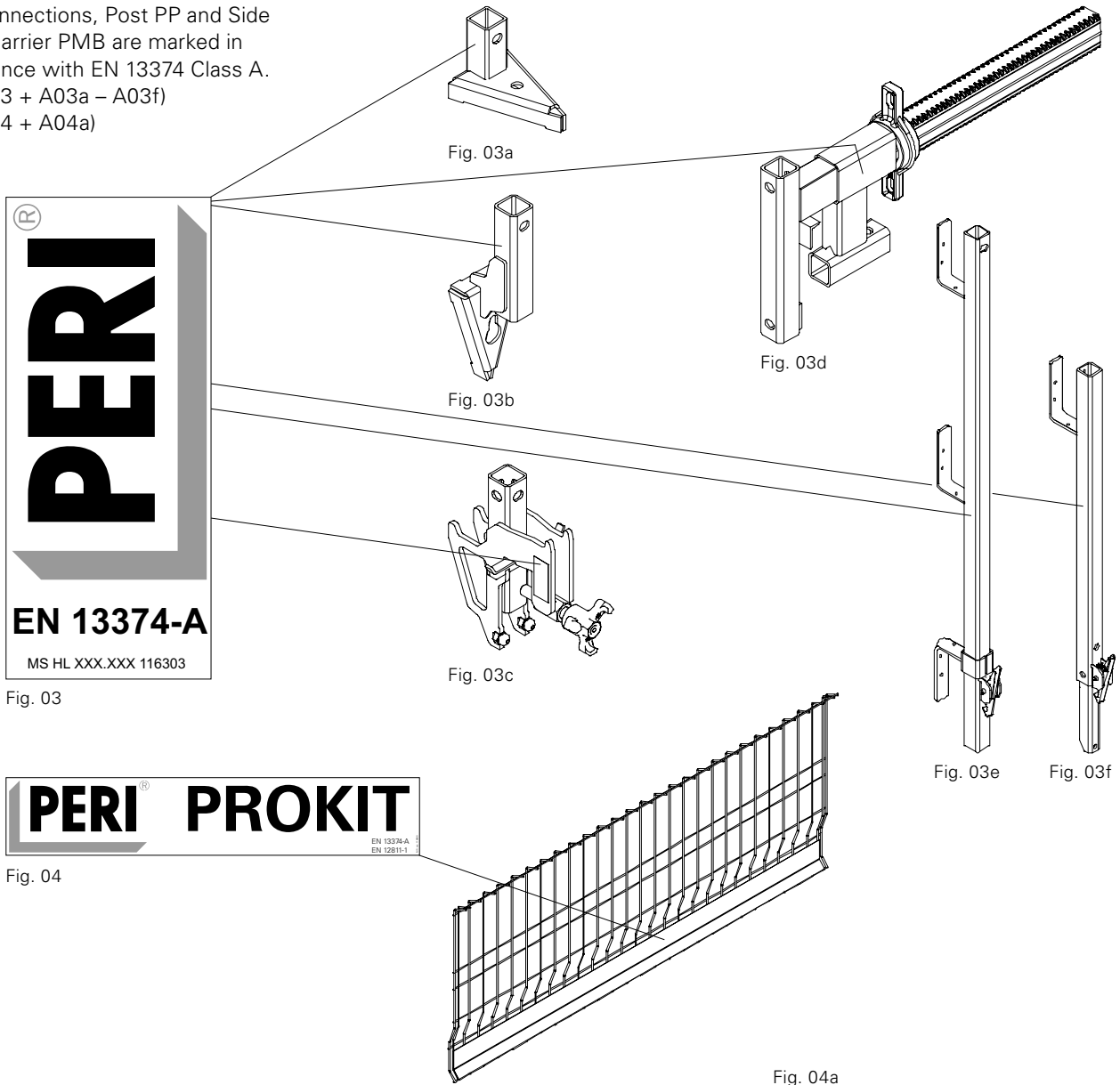
- As collective anti-fall protection, e.g. assembly from a safe position.
- With a suitable attachment point for the use of personal protective equipment against falling.

Assembly in the event of variations from the standard configuration

- The contractor responsible for installing the side protection must carry out a risk analysis.
- Securing measures must be realized according to the specifications as for the standard configuration.
- Acceptance by a competent person is required.

Identification markings

Post connections, Post PP and Side Mesh Barrier PMB are marked in accordance with EN 13374 Class A.
(Fig. A03 + A03a – A03f)
(Fig. A04 + A04a)



Inspection and hand-over

The fully assembled safety system must be inspected and approved for use by a qualified person before initial operations commence.

The documentation of the release lies with the contractor responsible for installing the side protection.

During the hand-over, the contractor responsible for installing the side protection must advise the user of the possible risks involved with a non-intended use and his obligation to provide adequate prevention against risk and danger!

Post connection

A corresponding connection must be selected in accordance with the existing boundary conditions.

For different connections are available each with differing characteristics. These are listed in the following table.

Post connections	Item no.	Design feature is fixed to the side protection	Connection type		
			Anchor Bolt in drilled hole	Mounting part with metric bolt	Clamped
Slab Foot PDF	117323	Concrete slab (top)	x	x	–
Side Foot PSF	117324	Concrete slab (front side)	x	–	–
Uni-Clamp PUC	118660	Concrete slab or parapet	–	–	x
Sheet Piling Clamp PSC	126330	Sheet piling (steel)	–	–	x

Guardrails

Suitable side protection is selected in accordance with the centre distance of the post connections.

Side protection	Max. L _A [cm]
Side Mesh Barrier PMB 260	240
Side Mesh Barrier PMB 240	230
Side Mesh Barrier PMB 120	110
Side Mesh Barrier PMB 90	80
Guardrails and handrail boards 15 x 3 cm	200

*L_A = centre distance of the post connections

Storage



- **Instructions for Use for PERI Pallets and Stacking Devices must always be taken into consideration.**
- **Ensure transport units are correctly stacked and secured.**
- **Pallets and stacked items are to be protected against the effects of the weather, e.g. secured against lifting by means of tension belts.**
- **Use suitable lifting gear for transporting.**
- **During storage, provide protection against aggressive substances.**

PERI recommends the following aids:

Pos.	Component	Item no.
9	Pallet Cage 80 x 120, galv.	065068
9a	Load-bearing point	
9.1	Pallet Cage 80 x 120, painted	065016
9	Pallet EP 110	123960
9a	Load-bearing point	
10	4-sling lifting gear	

Pallet Cage 80 x 120

(Fig. A1.01)

Permissible load-bearing capacity: 1.5 t

Crane sling angle: $\leq 15^\circ$

Length of the 4-sling lifting gear:
 ≥ 3.0 m.

Stacking height

3 pallet cages (9) on top of each other.

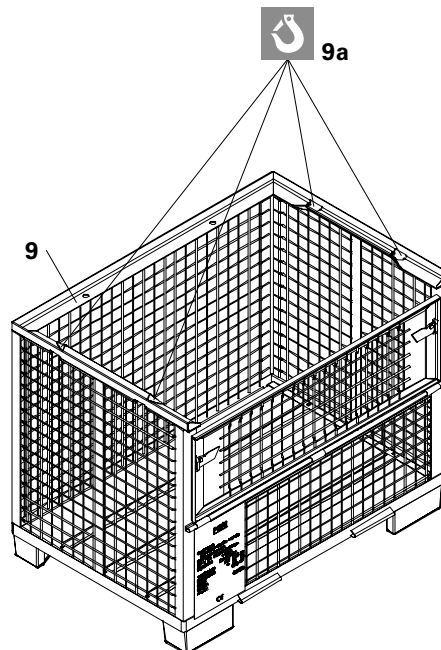


Fig. A1.01

Post connection	Item no.	Qty *
Slab Foot PDF	117323	544
Side Foot PSF	117324	300
Uni-Clamp PUC	118660	70
Sheet Piling Clamp PSC	126330	100

Pallet EP 110



When forming stacks, the pallets are aligned so that one longitudinal side is positioned next to another longitudinal side.

(Fig. A1.02)

Permissible load-bearing capacity:
600 kg

Crane sling angle

$\beta \leq 15^\circ$

Length of the 4-sling lifting gear:
 ≥ 3.0 m. (Fig. A1.02a)

Side Mesh Barrier PMB per pallet

Max. 25 pieces.

Stacking height

Max. 3 pallets on top of each other in compliance with the stacking instructions; see Instructions for Use for Pallets and Stacking Devices.

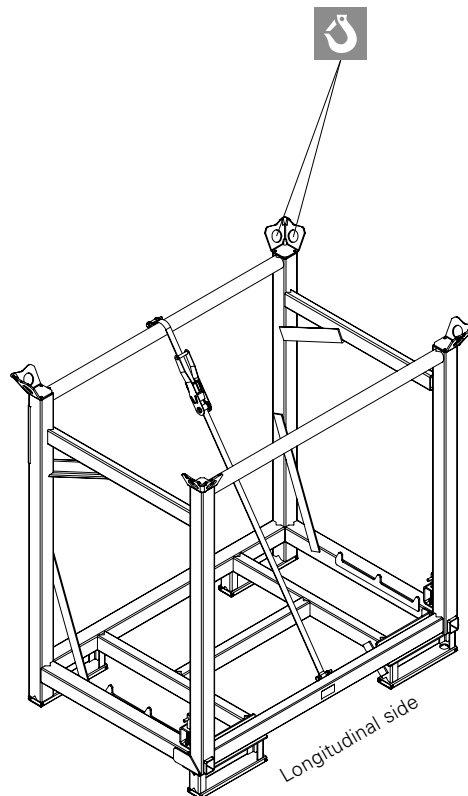


Fig. A1.02

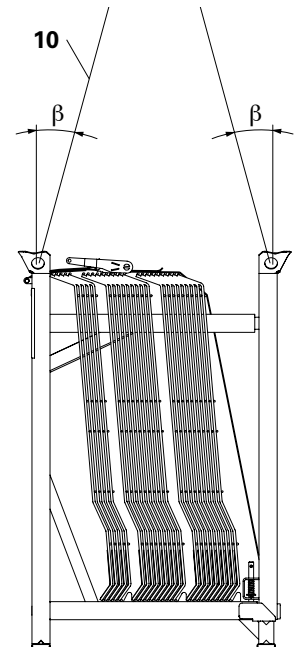


Fig. A1.02a

Transport



- Use PERI lifting accessories and lifting gear as well as only those load-bearing points provided on the component.
- Always attach the 4-sling lifting gear to the four load-bearing points (9a).
- (Fig. A1.03)
- For transportation, the surface used must have sufficient load-bearing capacity.
- The access areas on the jobsite must be free of obstacles and tripping hazards as well as being slip-resistant.
- Do not drop the components.



When loading onto trucks, ensure that the lashing for the Side Mesh Barrier PMB is both uniform and not too tight.

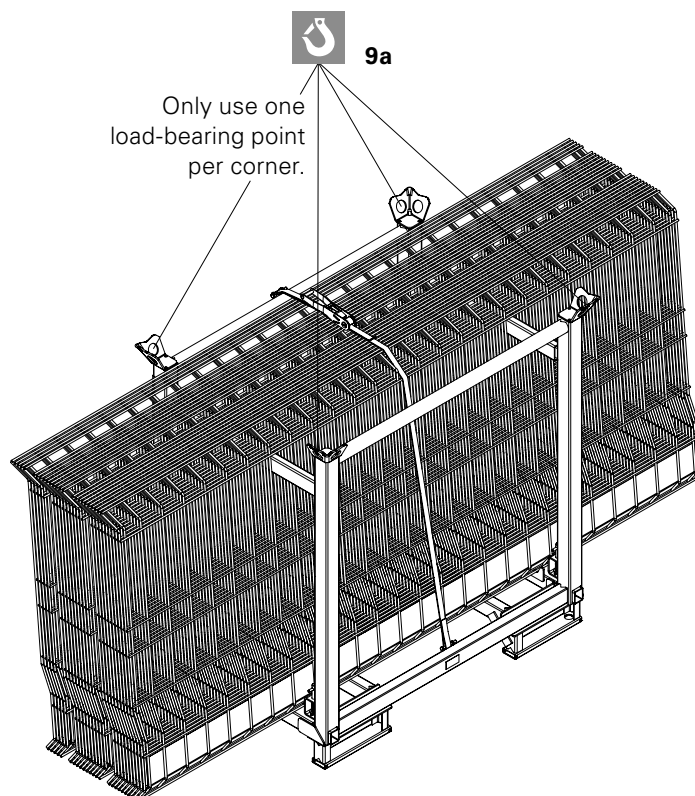


Fig. A1.03

Slab Foot PDF

The Slab Foot is mounted on the concrete slab and serves to support the post used for installing the side protection.



- Slab thickness: ≥ 20 cm.
- Number and spacings of the Slab Foot PDF is project-specifically determined.
- Centre distance L_A depends on the length of the Side Mesh Barrier, see section Selection.
- Take into consideration data sheet for the PERI Anchor Bolt 14 x 150.

Pos.	Component	Item no.
1	Slab Foot PDF	117323
1a	Rectangular tube	
5	Anchor Bolt	117020
6	Post PP	117325
7	Side Mesh Barrier PMB	

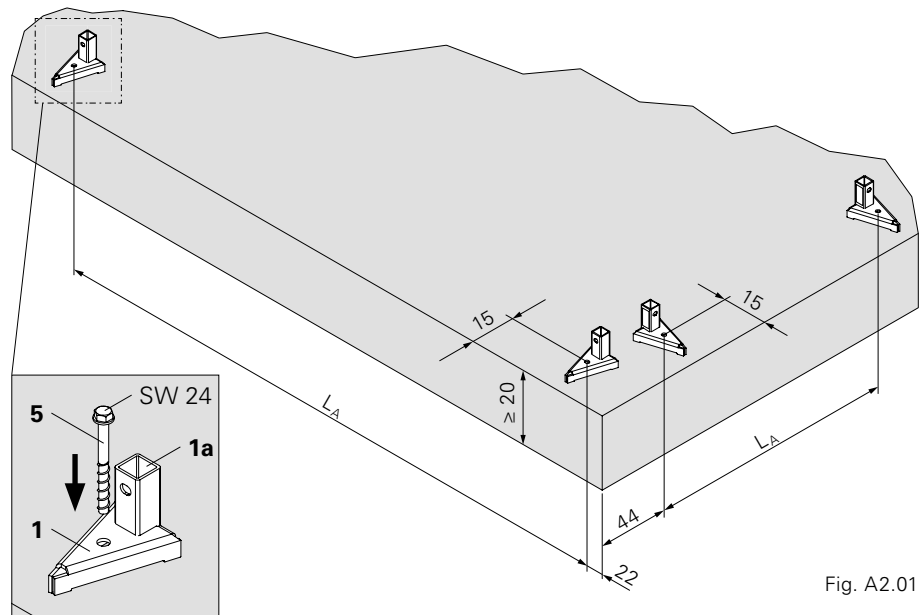


Fig. A2.01

Fig. A2.01a

Mounting the Slab Foot

1. Drill hole – $\varnothing 14$ mm – for the Anchor Bolt (5). Take into consideration dimension L_A , see section Selection. (Fig. A2.01)
2. Place the Slab Foot (1) on the concrete slab and fix using Anchor Bolt (5). (Fig. A2.01a)
3. Insert Post (6) in the rectangular tube (1a), see section A3.
4. Mount Side Mesh Barrier (7), see section A4. (Fig. A2.02)



Instead of drilling a hole for the Anchor Bolt, the PERI Screw-In Sleeve M16/164 (Item no. 123970) can be screwed into the concrete slab immediately after concreting. Fix the Slab Foot in the Screw-In Sleeve by means of a Hex. Bolt M16. Take into consideration the data sheet for the Screw-In Sleeve PERI M16/164.

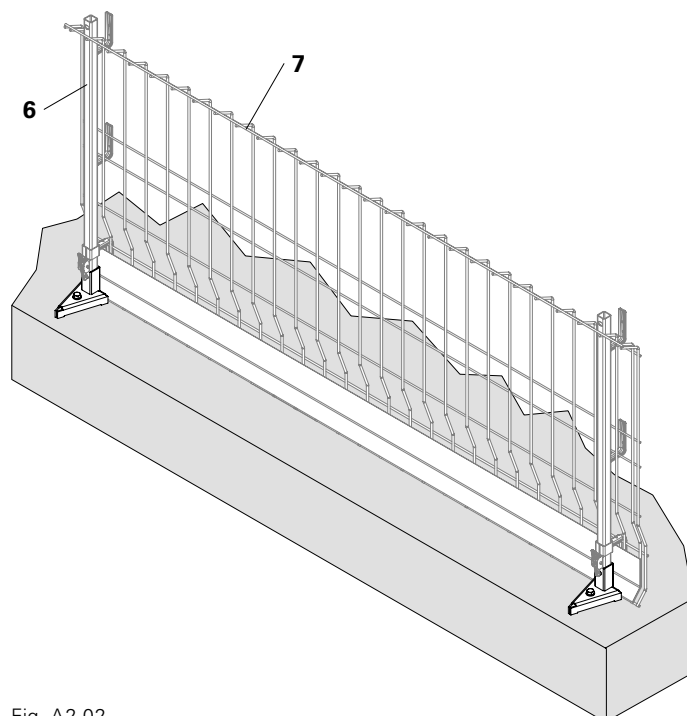


Fig. A2.02

Side Foot PSF

The Side Foot is mounted on the front side of the concrete slab or on a wall and accommodates the post for the side protection.



- Slab thickness: ≥ 30 cm.
- Number and spacings of the Side Foot is project-specifically determined.
- Centre distance L_A depends on the length of the Side Mesh Barrier, see section Selection.

Pos.	Component	Item no.
2	Side Foot PSF	117324
2a	Rectangular tube	
5	Anchor Bolt	117020
6	Post PP	117235
7	Side Mesh Barrier PMB	

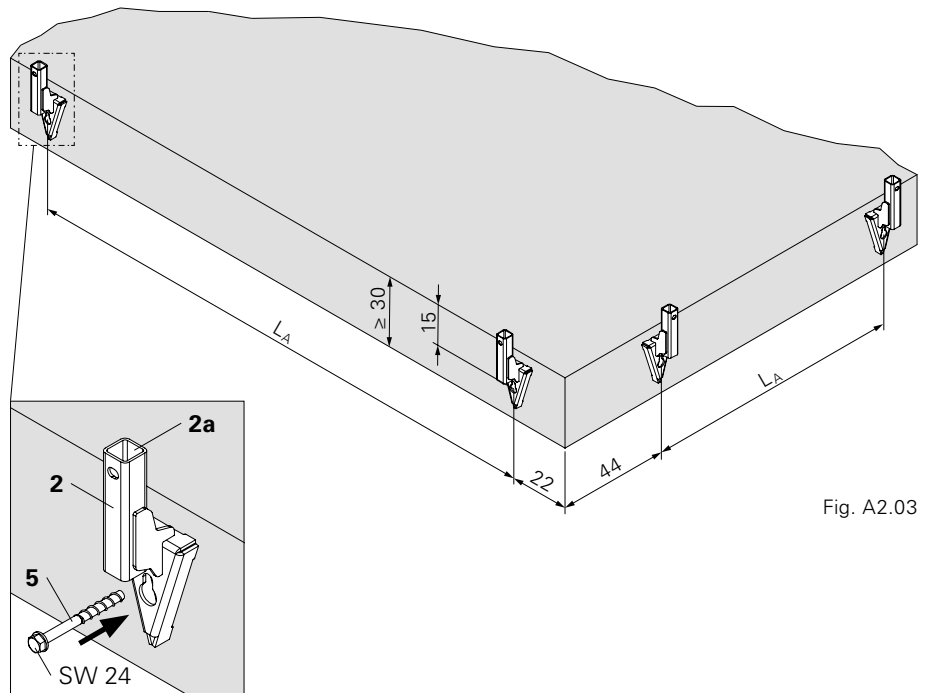


Fig. A2.03

Fig. A2.03a

Mounting the Side Foot

1. Drill hole – $\varnothing 14$ mm – for the Anchor Bolt (5). Take into consideration dimension L_A , see section Selection. (Fig. A2.03)
2. Fix the Side Foot (2) using an Anchor Bolt (5). (Fig. A2.03a)
3. Push the Side Foot downwards and tighten the Anchor Bolt.
4. Insert Post (6) in the rectangular tube (2a), see section A3.
5. Mount Side Mesh Barrier (7), see section A4. (Fig. A2.04)



Various options for mounting the Side Mesh Barrier: see section A4.

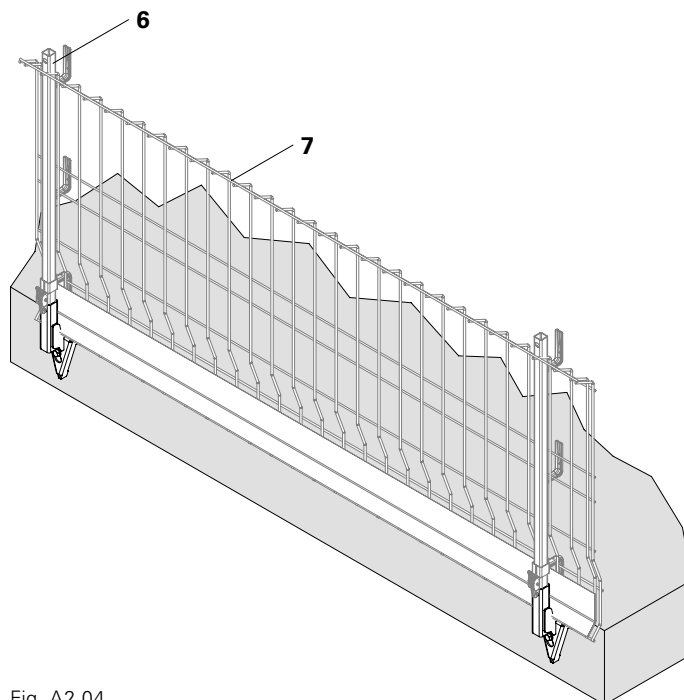


Fig. A2.04

Uni-Clamp PUC

The Uni-Clamp PUC is clamped on the concrete slab or concrete parapet and accommodates the post for the side protection.



- Slab or parapet thickness: ≤ 45 cm. (Fig. A2.05b)
- Number and spacings of the Uni-Clamps PUC is project-specifically determined.
- Centre distance L_A depends on the length L of the Side Mesh Barrier, see section Selection. (Fig. A2.06)

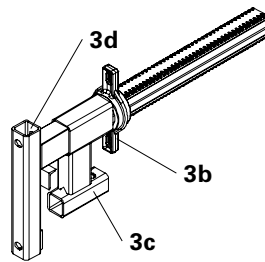


Fig. A2.05a

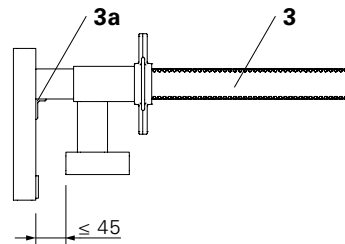


Fig. A2.05b

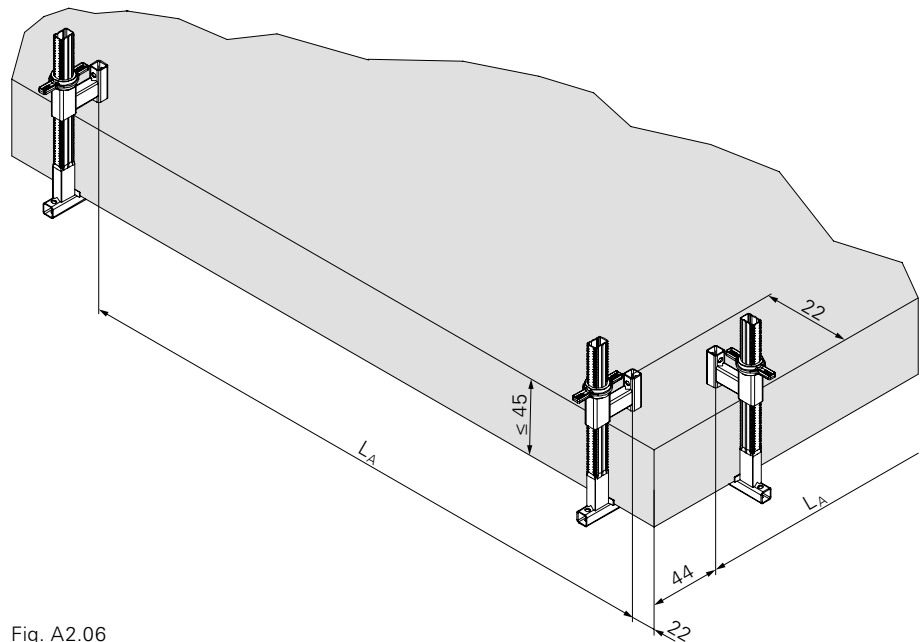


Fig. A2.06

Pos.	Component	Item no.
3	Uni-Clamp PUC	118660
3a	Supporting angle	
3b	Quick Jack Nut	
3c	Rectangular tube – concrete slab	
3d	Rectangular tube – concrete parapet	
6	Post PP	117325
7	Side Mesh Barrier PMB	

Mounting the Uni-Clamp PUC

1. Push the Uni-Clamp PUC (3) over the structure. Ensure that the supporting angle (3a) rests against the edge of the slab or parapet.
2. Turn Quick Jack Nut (3b) in a clockwise direction as far as possible and secure in position using a hammer.
→ The Uni-Clamp PUC is securely clamped to the slab or parapet.
3. Insert Post (6) in the rectangular tube of the Uni-Clamp PUC, for
 - slab: rectangular tube (3c), (Fig. A2.07)
 - parapet: rectangular tube (3d), (Fig. A2.08)
 see section A3.
4. Mount Side Mesh Barrier, see section A4.

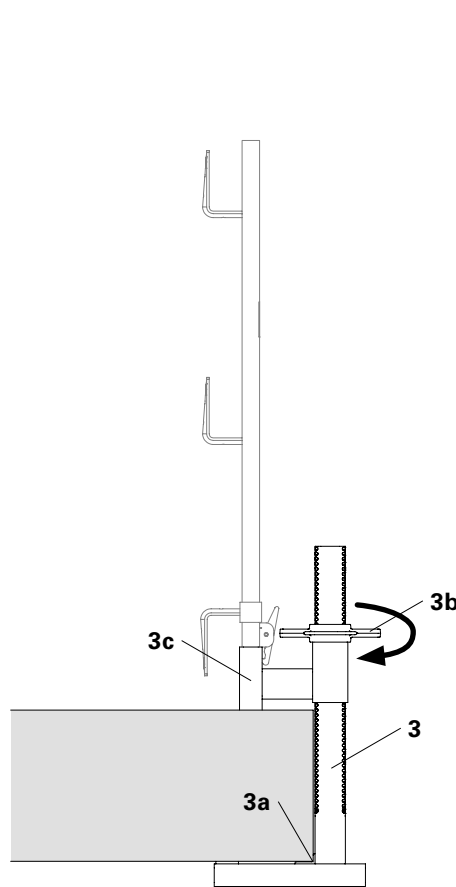


Fig. A2.07

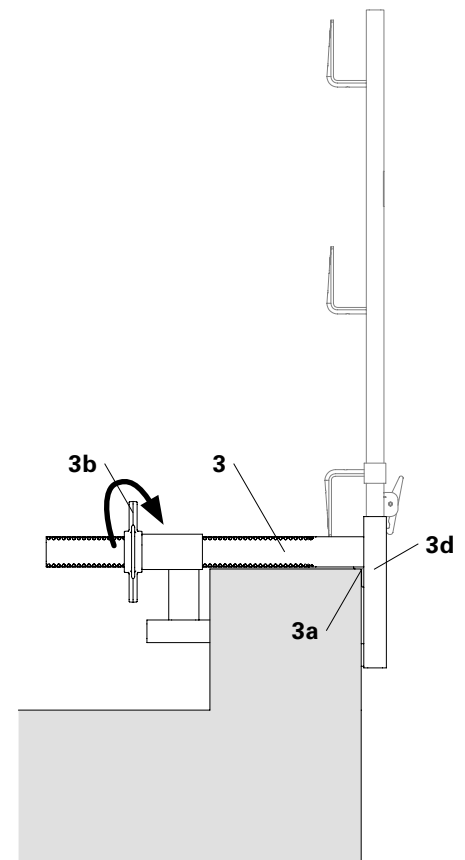


Fig. A2.08



Shown here: Uni-Clamp PUC, Post PP and Side Mesh Barrier secured to the concrete slab. (Fig. A2.09)

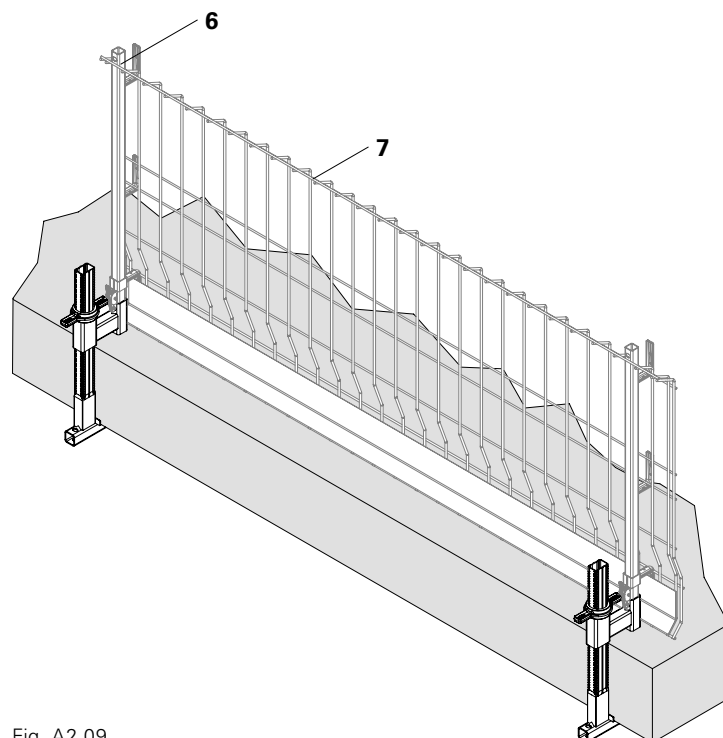


Fig. A2.09

Sheet Piling Clamp PSC

The Sheet Piling Clamp (4) is simply clamped to sheet sheet piling or a steel beam – no holes need to be drilled.

For mounting on sheet piling



- Sheet piling thickness: ≤ 40 mm. (Fig. A2.10a)
- Centre distance L_A depends on the length of the Side Mesh Barrier, see section Selection. (Fig. A2.11)
- Support area of the sheet piling: ≥ 13 cm. (Fig. A2.11)

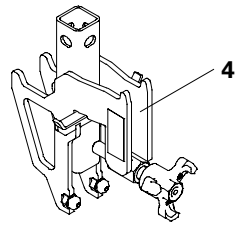


Fig. A2.10

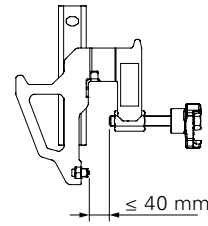


Fig. A2.10a

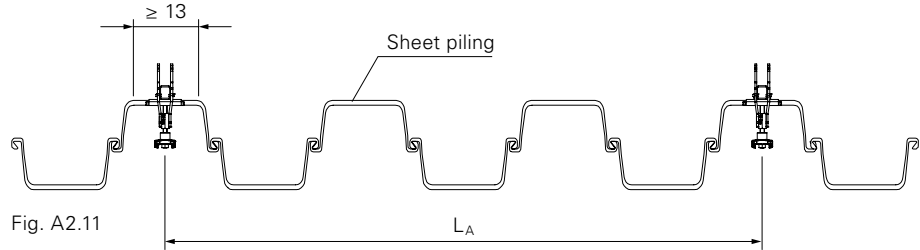


Fig. A2.11

Assembly versions

- Version 1
 - Mount Triple Wingnut (4b) in the direction of the lower level. (Fig. A2.12)
 - Projection of the sheet piling above the ground: ≥ 18 cm.
- Version 2
 - Mount Triple Wingnut (4b) in the direction of the higher level. (Fig. A2.13)
 - Projection of the sheet piling above the ground: ≥ 15 cm.



Do not combine versions 1 and 2.

Version 1

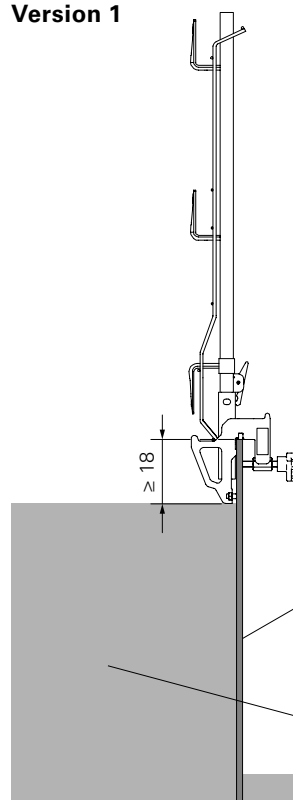


Fig. A2.12

Version 2

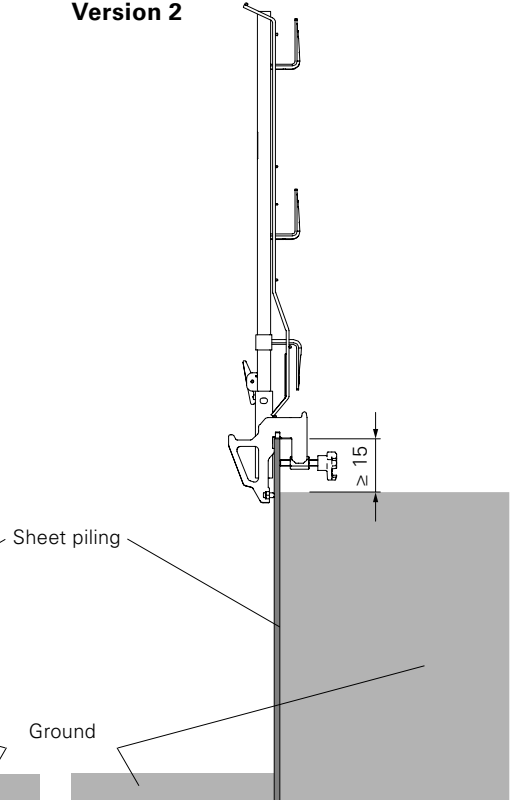


Fig. A2.13

Pos.	Component	Item no.
4	Sheet Piling Clamp PSC	126330
4a	Rectangular tube	
4b	Triple Wingnut	
4c	Carbide mandrel	
4d	Lateral support areas	
6	Post PP	117325
7	Side Mesh Barrier PMB	

Mounting the Sheet Piling Clamp

- Slide the Sheet Piling Clamp (4) over the sheet piling.
(Fig. A2.14 + A2.14a)
- Turn the Triple Wingnut (4b) in a clockwise direction and secure in position using a hammer.
Make sure that
 - the carbide mandrel (4c) rests against the sheet piling.
 - the lateral support areas (4d) rest against the sheet piling at the top.
(Fig. A2.15 + A2.15a)
 → The Sheet Piling Clamp is tightly clamped to the sheet piling.
- Insert Post (6) in the rectangular tube of the Slab Foot, see section A3.
- Mount Side Mesh Barrier, see section A4.
(Fig. A2.16)

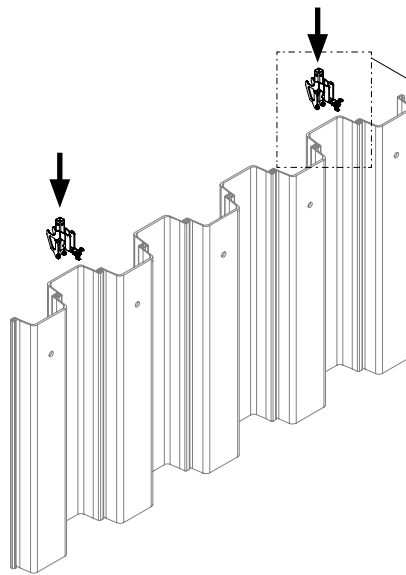


Fig. A2.14

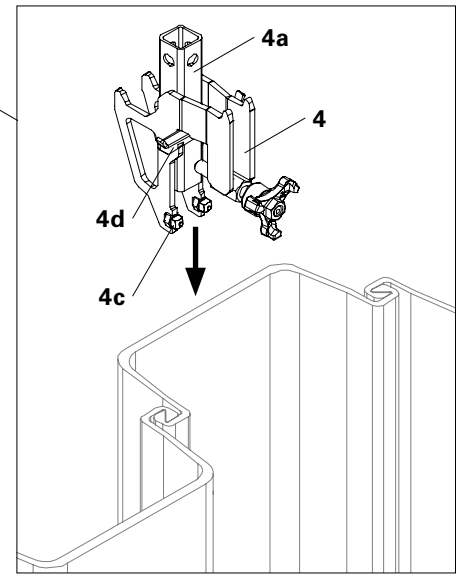


Fig. A2.14a

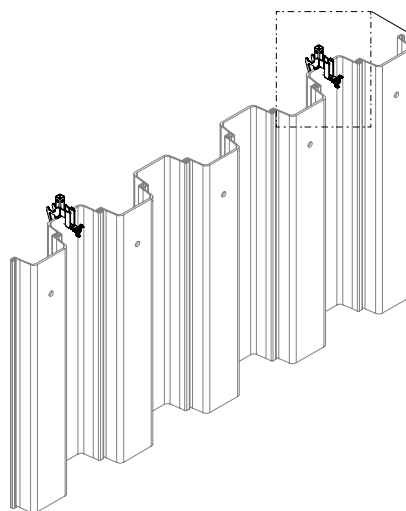


Fig. A2.15

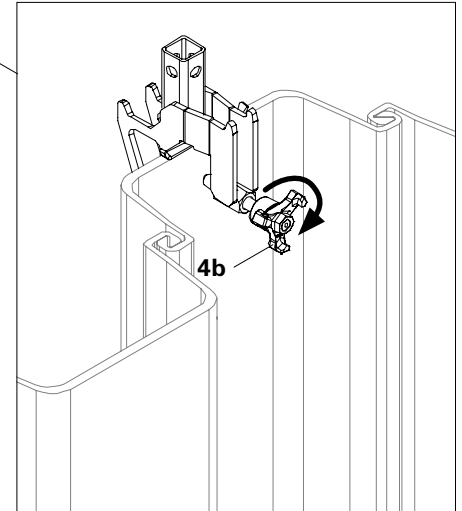


Fig. A2.15a

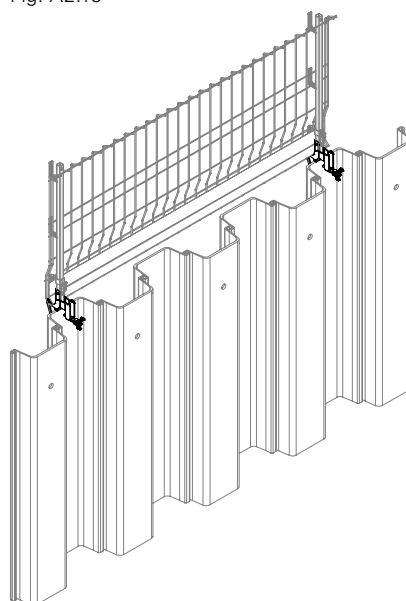


Fig. A2.16

Assembly on the steel girder

Mounting the Sheet Piling Clamp on vertical steel girders. (Fig. A2.18a + b)

Precondition:

- Steel girder has 2 flanges on each side.
- Web height: ≤ 16 cm. (Fig. A2.17)

Fix Sheet Piling Clamp to the web of the steel girder, see previous page.

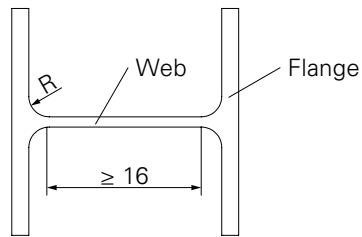


Fig. A2.17

Mounting the Sheet Piling Clamp

1. Slide the Sheet Piling Clamp (4) over the girder web.

2. Turn the Triple Wingnut (4b) in a clockwise direction and secure in position using a hammer.

Make sure that

- the carbide mandrel (4c) rests against the steel girder.
- the lateral support areas (4d) rest against the steel girder at the top.
 - The Sheet Piling Clamp is tightly clamped on the steel girder.

3. Insert Post (6) in the rectangular tube of the Sheet Piling Clamp, see section A3.

4. Mount Side Mesh Barrier, see section A4.

(Fig. A2.18)



Do not mount the Sheet Piling Clamp on the flanges of the steel girder.

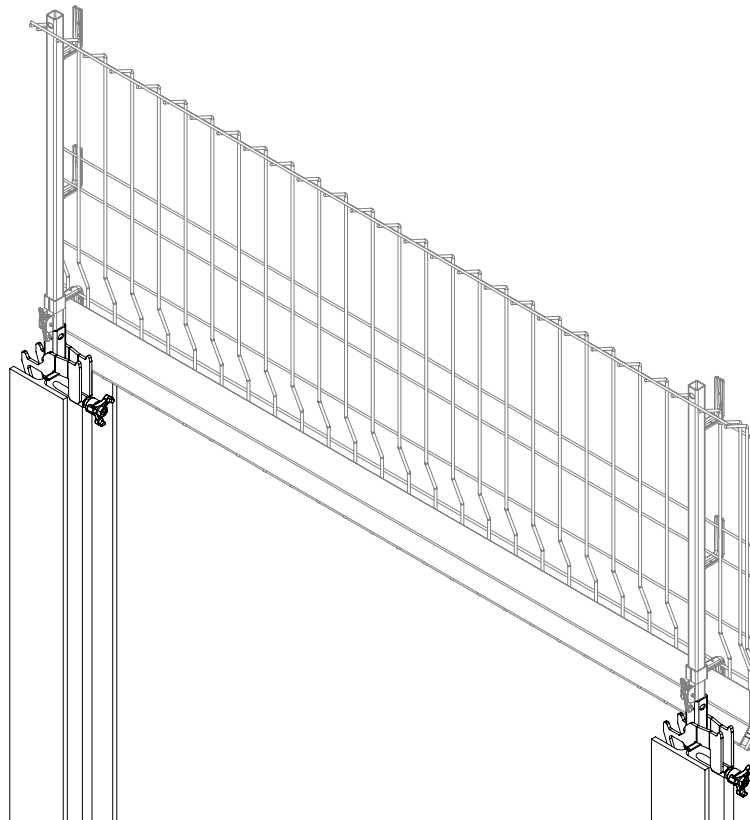


Fig. A2.18

Post PP

The Post PP is inserted in the rectangular tube of the post connection and secured by means of the safety hook.



Carry out functionality check of the safety hooks for the Posts PP.

Pos.	Component	Item no.
6	Post PP	117325
6a	L-Angle	
6b	Toe Board Holder	
6c	Safety hook	

Assembly

Insert Post (6) in the rectangular tube of the post connection, e.g. the Slab Foot. (Fig. A3.01 + A3.02)

→ The safety hooks (6c) click into place in the longitudinal hole and secure the posts. (Fig. A3.02a)



Is the securing hook (6c) fully engaged in the longitudinal hole of the rectangular tube (1a)?

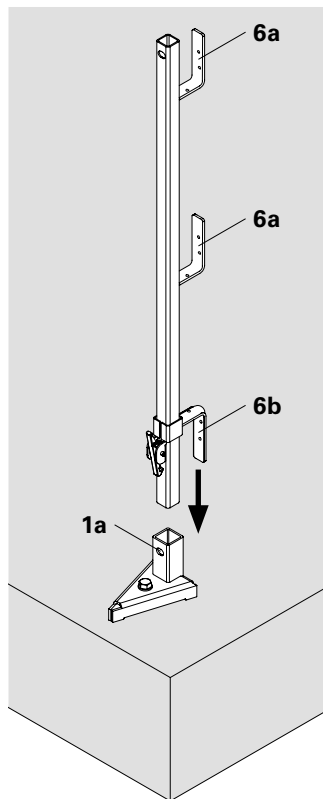


Fig. A3.01

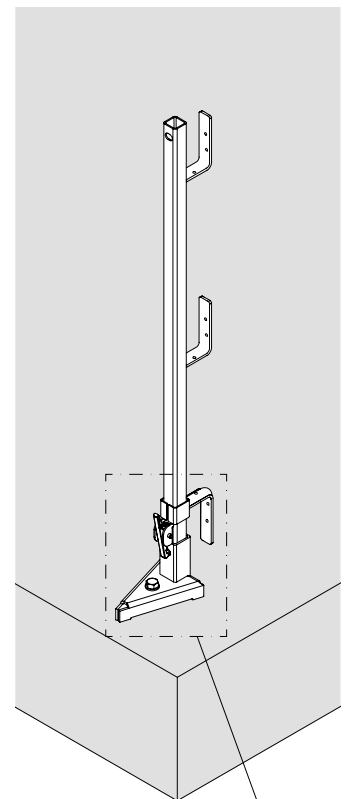


Fig. A3.02

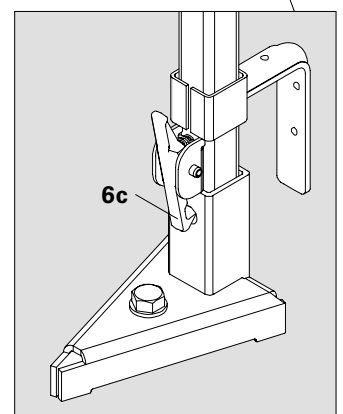


Fig. A3.02a

Side Mesh Barrier PMB

Open building edges are secured with the Side Mesh Barrier PMB. The Side Mesh Barrier PMB is available in 4 lengths:



Max. centre distance L_A depends on the length L of the Side Mesh Barrier, see Table.

Side Mesh Barrier PMB 260 is shown. (Fig. A4.01)



The Side Mesh Barrier is installed starting from the building side.

Pos. Component

- 7** Side Mesh Barrier PMB
- 7a** Toe Board

Mounting the Side Mesh Barrier

1. Mount the Side Mesh Barrier (7) in the L-Angles (6a).

→ The Toe Board (7a) is held in position. (Fig. A4.02a)

2. Push the bottom toe board holder (6b) approx. 15 cm upwards.

3. Push the Toe Board (7a) to the Post PP (6). (Fig. A4.02b)

4. Push the toe board holder downwards over the toe board.

→ The Side Mesh Barrier is secured with the toe board holder. (Fig. A4.02c)



Overlapping of Side Mesh Barriers is possible, i.e. two barriers are mounted on one post. (Fig. A4.03)

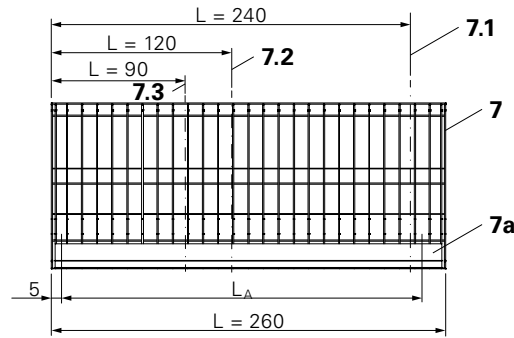


Fig. A4.01

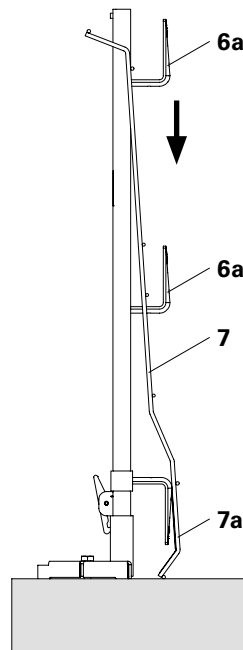


Fig. A4.02a

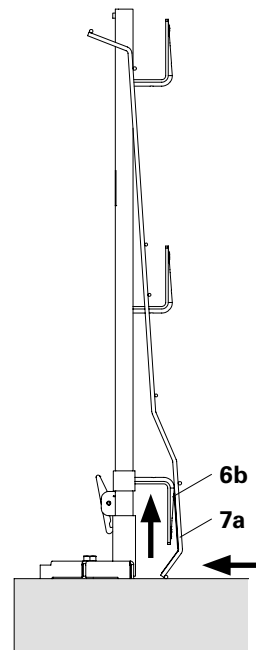


Fig. A4.02b

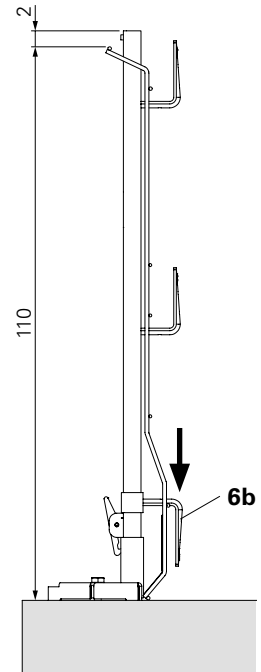


Fig. A4.02c

Pos.	Side Mesh Barrier	Max. L_A * [cm]
7	PMB 260	240
7.1	PMB 240	230
7.2	PMB 120	110
7.3	PMB 90	80

* L_A = spacing of the post and post connections

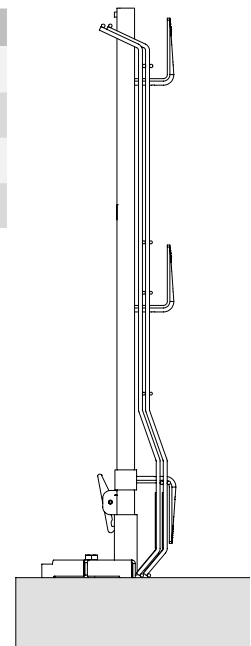


Fig. A4.03

Assembly options with the Side Foot



Position of the toe board holder – version 1 or 2 – is project-specifically determined.

Version 1

Open working level

1. Push the toe board holder (6b) of the post approx. 15 cm upwards – 2x.
2. Attach the Side Mesh Barrier (7) on both sides to the two top L-Angles (6a).
3. Push the toe board holder (6b) downwards over the Toe Board (7a).
→ The toe board holder engages the Toe Board and holds the Side Mesh Barrier in position.

(Fig. A4.04 – A4.04a)

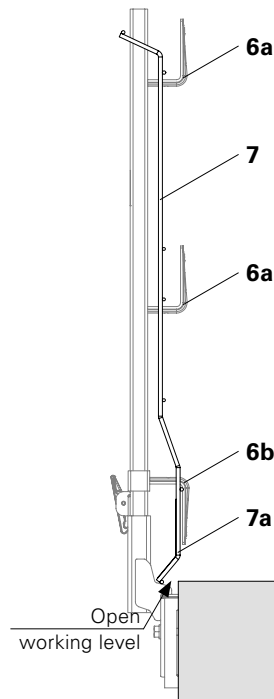


Fig. A4.04

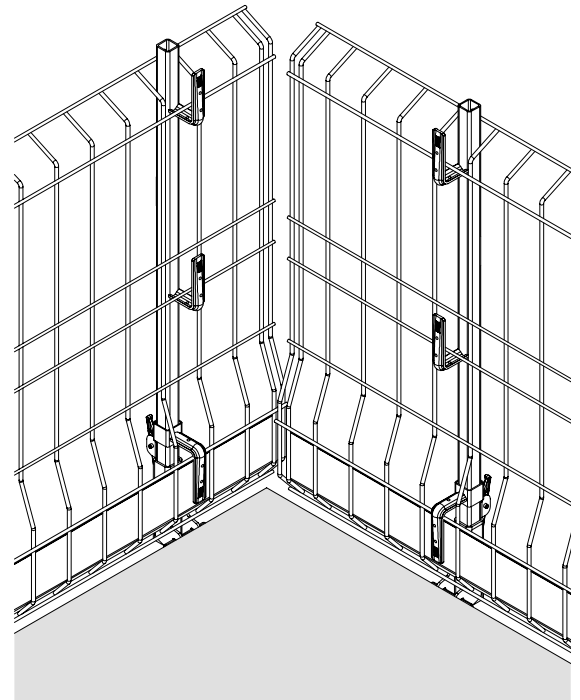


Fig. A4.04a

Version 2

Closed working level

Attach the Side Mesh Barrier (7) on both sides to the two top L-Angles (6a). Position the toe board holder (6b) against the Toe Board (7a).

→ The toe board holder presses the Side Mesh Barrier against the concrete slab.

(Fig. A4.05 + A4.05a)

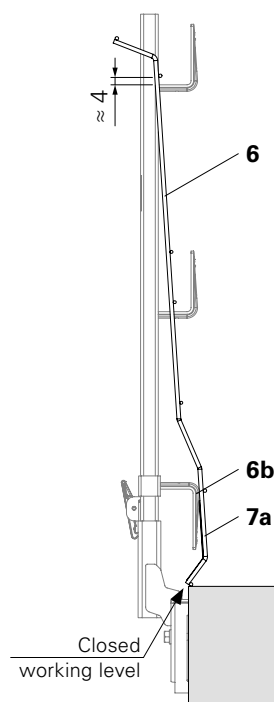


Fig. A4.05

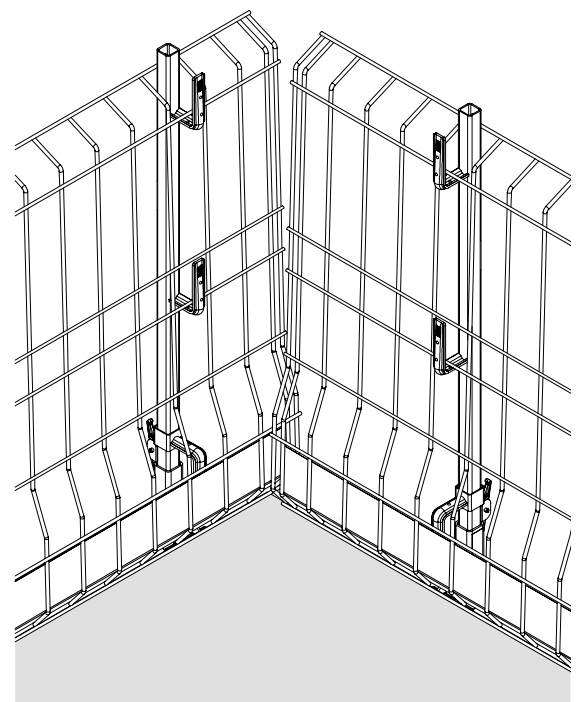


Fig. A4.05a

Guardrails and toe boards

As an alternative to the Side Mesh Barrier PMB, 15 x 3 cm boards can also be mounted as side protection.

Max. post spacing L_A^* with 15 x 3 cm boards: 200 cm

* L_A = spacing of the post and post connections

Mounting the handrail boards

1. Place board on both sides in the top L-Angles (6a).
 2. Place board on both sides in the L-Angles (6a) in the middle of the posts.
 3. Push the toe board holder (6b) of the post approx. 15 cm upwards.
 4. Position the board below at the post.
 5. Push the toe board holder downwards over the board.
 - The toe board holder engages the board and holds the board in position.
 6. Fix boards to the L-Angles and toe board holders with nails.
- (Fig. A4.06)

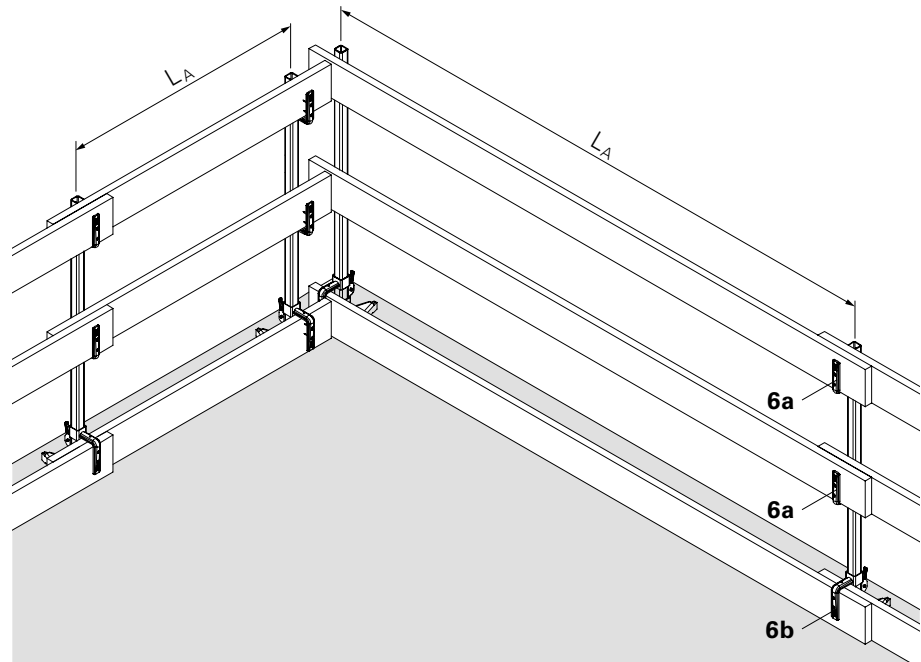


Fig. A4.06

Post Extension PPE

For project-specific requirements, the Post PP can be extended by means of the Post Extension PPE. The side protection is increased from 1.10 m to 1.75 m by means of the Post Extension.



The Post Extension is not to be used for working areas at great heights. Working level = top edge of concrete slab.

Pos.	Component	Item no.
7	Side Mesh Barrier PMB 260	117326
8	Post Extension PPE	118296
8a	L-Angle	



The Post Extension (8) can be combined with all post connections. (Fig. A5.01)

Mounting the Post Extension

1. Mount the system in accordance with sections A2 – A4.
2. Insert the Post Extension (8) into the Post (6).
3. Attach the Side Mesh Barrier (7) on both sides to the L-Angles (8a) of the Post Extension and the top L-Angles of the Post (6a).

→ The Side Mesh Barrier of the Post Extension overlaps the Side Mesh Barrier of the Posts.

(Fig. A5.02 + A5.03)



Is the safety hook (6c) fully engaged in the longitudinal hole of the bottom Post (6)?

(Fig. A5.02 – for details, see section A3)

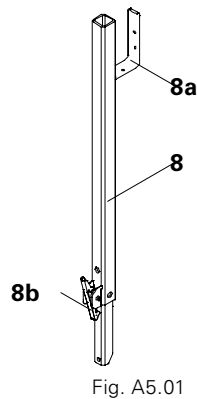


Fig. A5.01

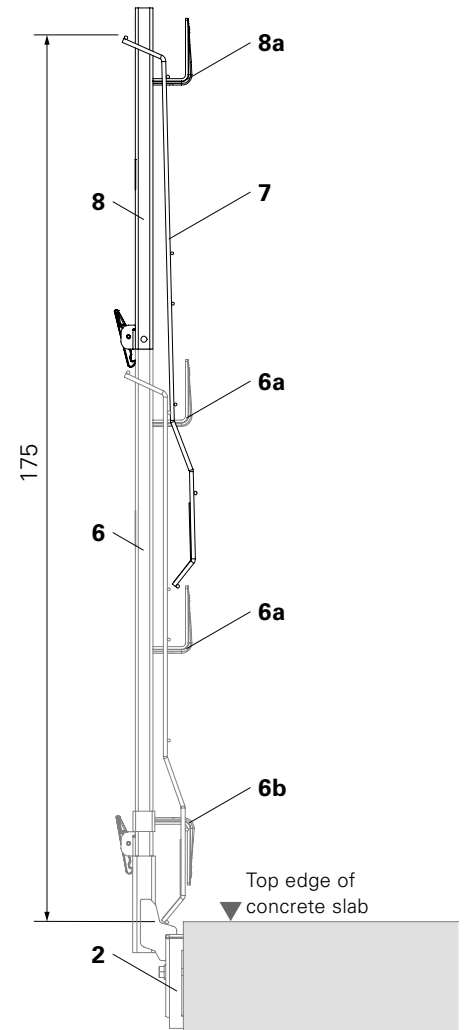


Fig. A5.02

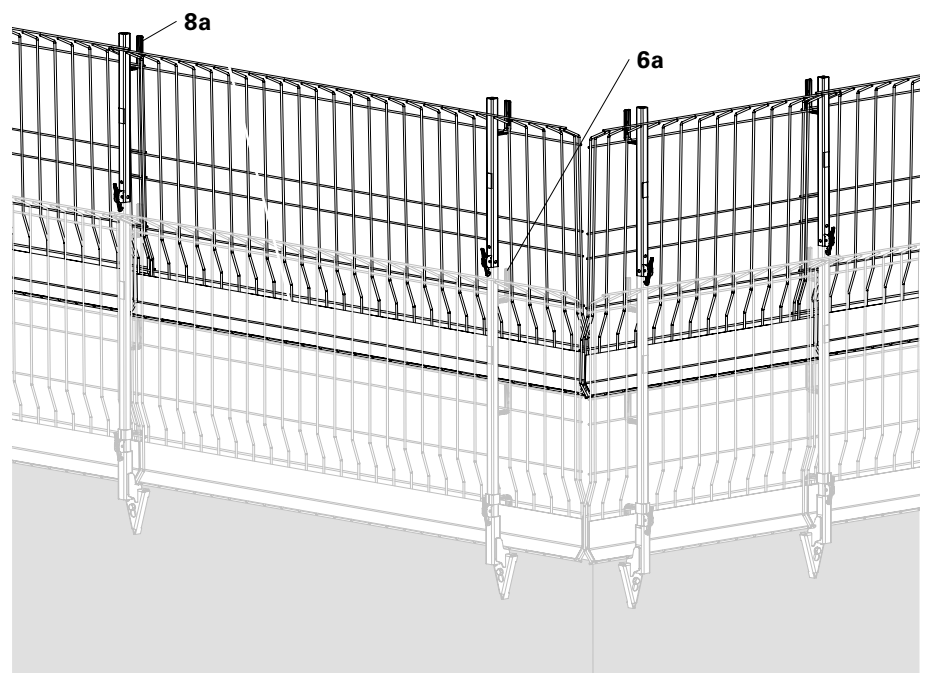


Fig. A5.03

Assembly on stairs (Fig. A6.01)

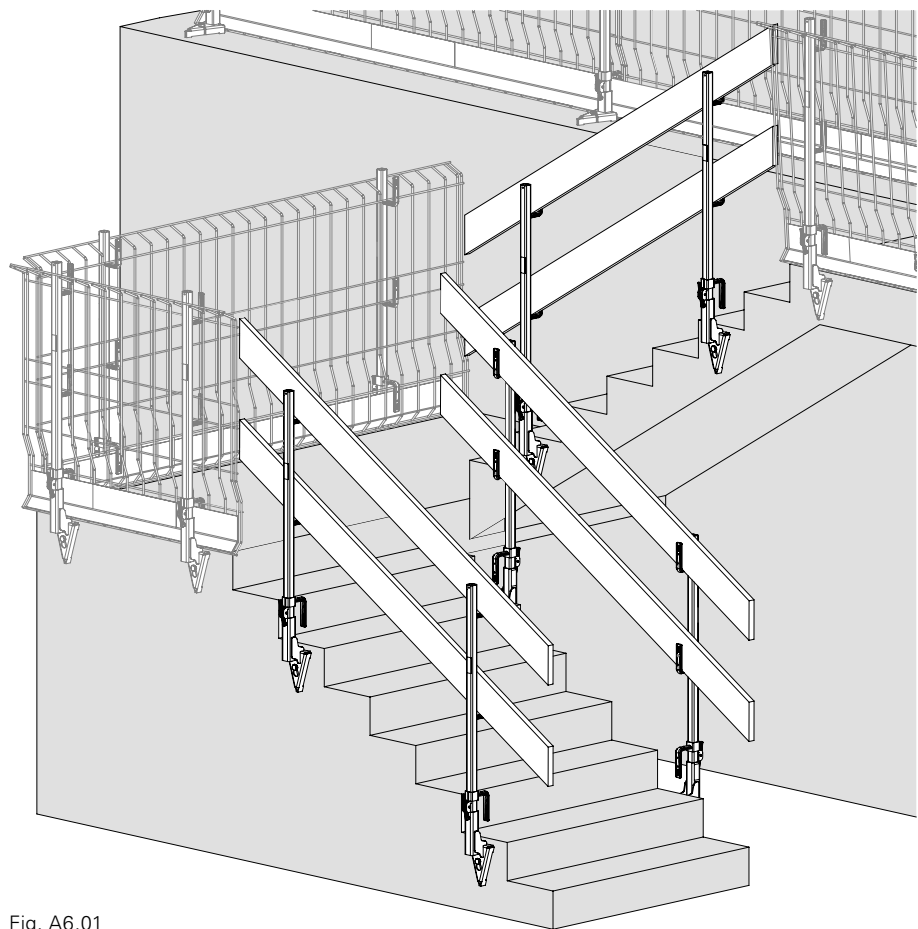


Fig. A6.01

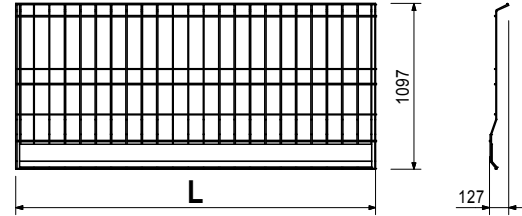
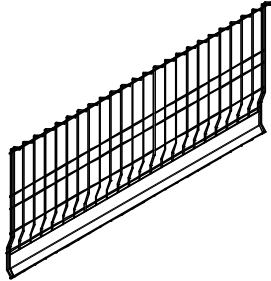
Item no. Weight kg

117326	19.700	Side Mesh Barriers PMB
126371	17.700	Side Mesh Barrier PMB 260
126376	9.260	Side Mesh Barrier PMB 240
126381	7.140	Side Mesh Barrier PMB 120
		Side Mesh Barrier PMB 90

L
2600
2400
1180
900

Technical Data

Maximum distance with Side Mesh Barrier:
PMB 260 max. 2.40 m.



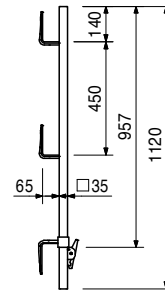
117325 4.270

Post PP

For the fixation of the Side Mesh Barriers.

Technical Data

Maximum distance of posts with
Side Mesh Barrier: PMB 260 max. 2.40 m.



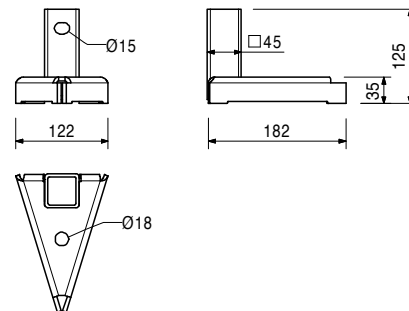
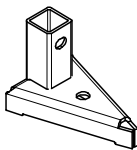
117323 1.530

Slab Foot PDF

For assembly of a guardrail on or at edge slabs.

Technical Data

Maximum distance of posts with
Side Mesh Barrier: PMB 260 max. 2.40 m.



Accessories

117020	0.213	Anchor Bolt PERI 14 x 150
117325	4.270	Post PP

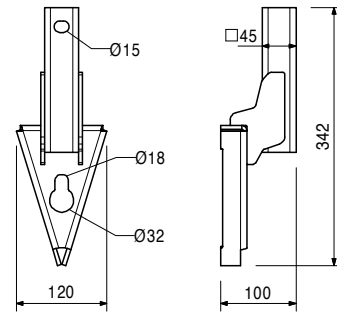
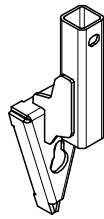
Item no.	Weight kg
117324	2.210

Side Foot PSF

For assembly of a guardrail on or at walls and stairs.

Technical Data

Maximum distance of posts with Side Mesh Barrier: PMB 260 max. 2.40 m.



Accessories

117020	0.213
117325	4.270

Anchor Bolt PERI 14 x 150
Post PP

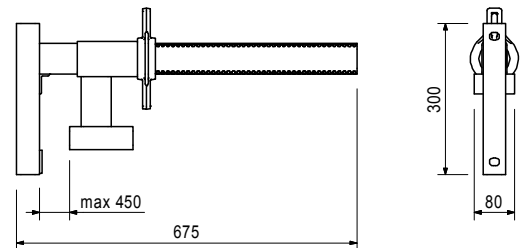
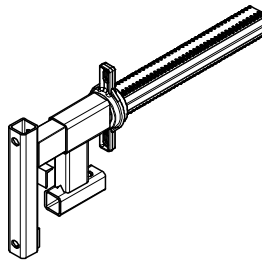
118660	6.610
--------	-------

Uni-Clamp PUC

For the assembly of a guardrail on the front side of slabs or on railings.

Technical Data

Maximum distance of posts with Side Mesh Barrier: PMB 260 max. 2.40 m.



Accessories

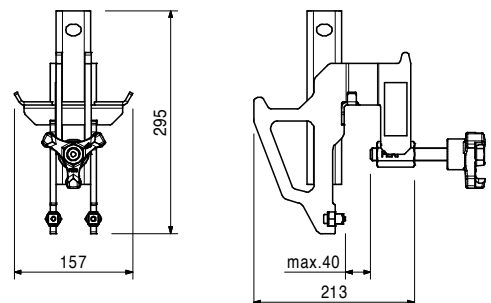
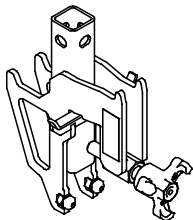
117325	4.270
--------	-------

Post PP

126330	4.600
--------	-------

Sheet Piling Clamp PSC

For assembly of a guardrail on sheet piling.



Accessories

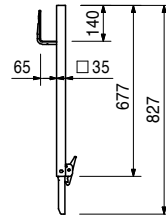
117325	4.270
--------	-------

Post PP

Item no.	Weight kg
118296	2.910

Post Increase PPE

For increasing the guardrail to 1.75 m.



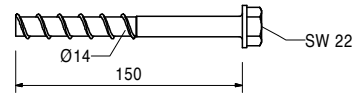
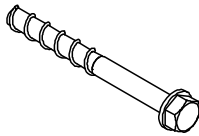
117020	0.213
--------	-------

Anchor Bolt PERI 14 x 150

Re-usable.
Approval available.

Note

Separate Design Information on request.



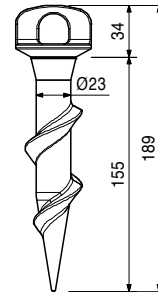
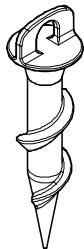
123970	0.047
--------	-------

Screw-On Sleeve PERI M16/164

For temporary mounting of components on reinforced concrete slabs.

Note

Inserted into the fresh concrete immediately after concreting.



Accessories

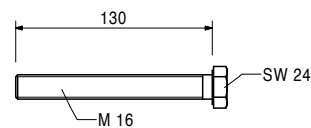
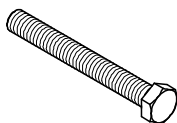
123973	0.240
--------	-------

Bolt ISO 4014 M16 x 130-8.8, galv.

123973	0.240
--------	-------

Bolt ISO 4014 M16 x 130-8.8, galv.

For assembly of Slab Feet PDF in combination with Screw-On Sleeve PERI M16/164.



Item no.	Weight kg
123960	70.400

Pallet EP 110

For stacking and transportation of 25 Side Mesh Barriers PMB.

Complete with

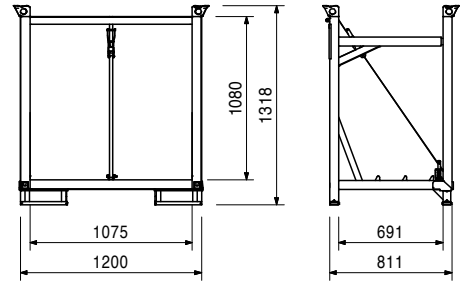
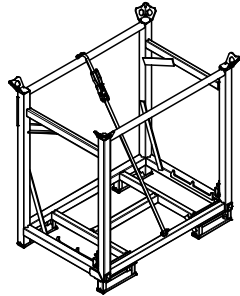
1 pc. 117560 Lashing 25 x 2550 mm

Note

Follow Instructions for Use!

Technical Data

Permissible load-bearing capacity 600 kg.



065068	88.300
065016	88.200

Crate Pallets 80 x 120-K

Crate Pallet 80 x 120-K, galv.

Crate Pallet 80 x 120-K, painted

For stacking and transportation of formwork and scaffold components.

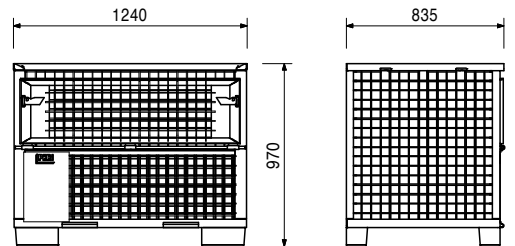
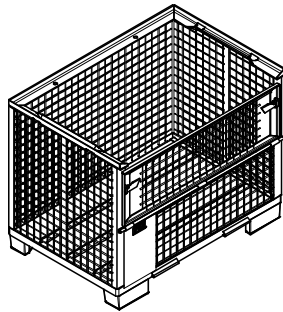
Note

Follow Instructions for Use!

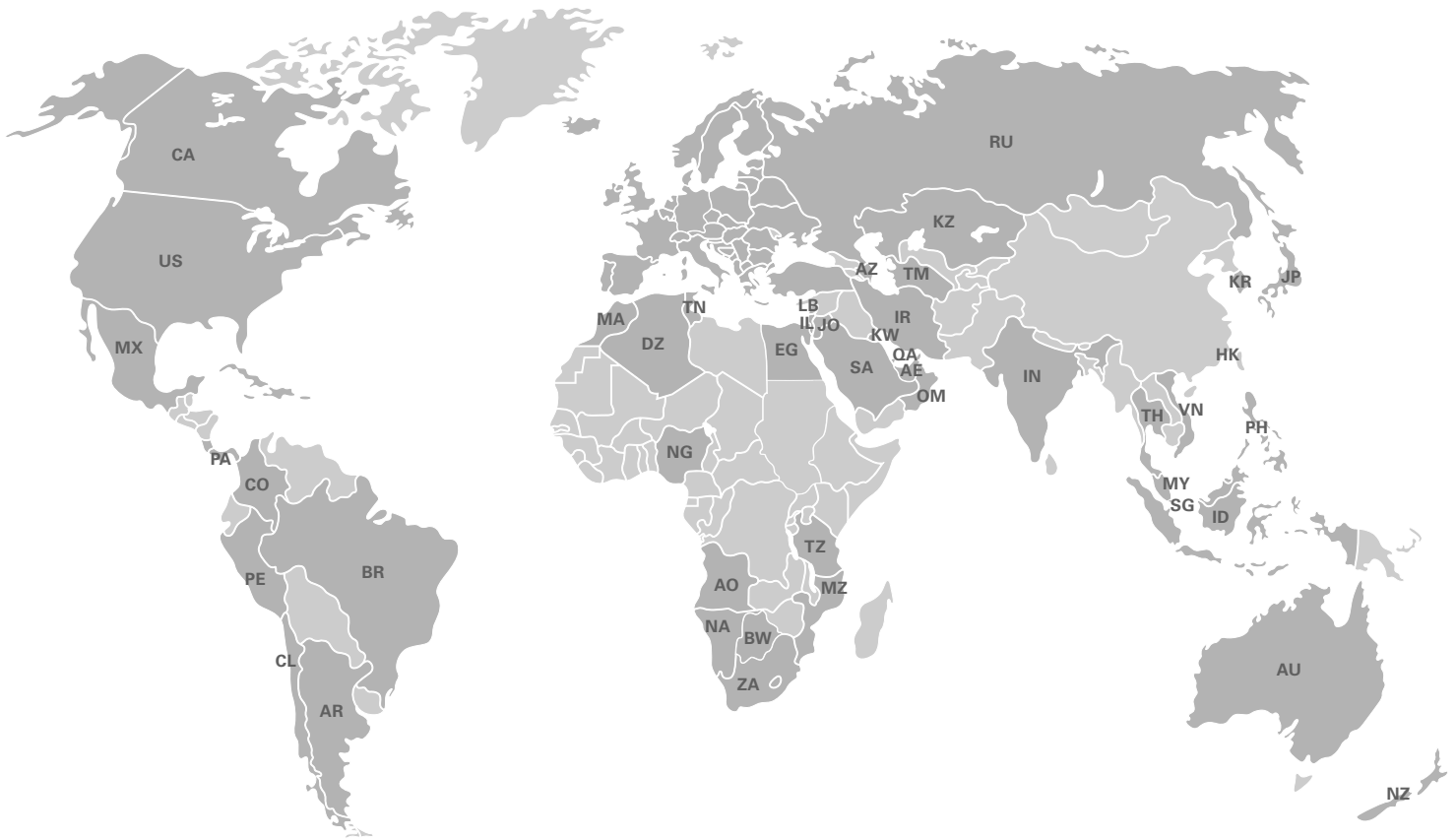
Technical Data

Capacity approx. 0.75 m³.

Permissible load-bearing capacity 1.5 t.



PERI International



North America

- CA** Canada
PERI Formwork Systems, Inc.
www.peri.ca
- MX** Mexico
PERI Cimbras y Andamios, S.A. de C.V.
www.peri.com.mx
- PA** Panama
PERI Panama Inc.
www.peri.com.pa
- US** USA
PERI Formwork Systems, Inc.
www.peri-usa.com

South America

- AR** Argentina
PERI S.A.
www.peri.com.ar
- BR** Brazil
PERI Formas e Escoramentos Ltda.
www.peribrasil.com.br
- CL** Chile
PERI Chile Ltda.
www.peri.cl
- CO** Colombia
PERI S.A.S.
www.peri.com.co
- PE** Peru
PERI Peruana S.A.C.
www.peri.com.pe

Africa

- AO** Angola
Pericofragens, Lda.
www.peri.pt
- DZ** Algeria
S.A.R.L. PERI
www.peri.dz
- BW** Botswana
PERI (Proprietary) Limited
www.peri.co.bw
- EG** Egypt
Egypt Branch Office
www.peri.com.eg
- MA** Morocco
PERI S.A.
www.peri.ma
- MZ** Mozambique
PERI (Pty.) Ltd.
www.peri.co.mz
- NA** Namibia
PERI (Pty.) Ltd.
www.peri.na
- NG** Nigeria
PERI Nigeria Ltd.
www.peri.ng
- TN** Tunisia
PERI S.A.U.
www.peri.es
- TZ** Tanzania
PERI Formwork and Scaffolding Ltd
www.peri.co.tz
- ZA** South Africa
PERI Formwork Scaffolding (Pty) Ltd
www.peri.co.za

Asia

- AE** United Arab Emirates
PERI (L.L.C.)
www.peri.ae
- AZ** Azerbaijan
PERI Representative Office
www.peri.com.tr
- HK** Hong Kong
PERI (Hong Kong) Limited
www.perihk.com
- ID** Indonesia
PT Beton Perkasa Wijaksana
www.betonperkasa.com
- IL** Israel
PERI F.E. Ltd.
www.peri.co.il
- IN** India
PERI (India) Pvt Ltd
www.peri.in
- IR** Iran
PERI Pars. Ltd.
www.peri.ir
- JO** Jordan
PERI GmbH – Jordan
www.peri.com
- JP** Japan
PERI Japan K.K.
www.peri.co.jp
- KR** Korea
PERI (Korea) Ltd.
www.perikorea.com
- KW** Kuwait
PERI Kuwait W.L.L.
www.peri.com.kw
- KZ** Kazakhstan
TOO PERI Kazakhstan
www.peri.kz
- LB** Lebanon
PERI Lebanon Sarl
lebanon@peri.de
- MY** Malaysia
PERI Formwork Malaysia Sdn. Bhd.
www.perimalaysia.com
- OM** Oman
PERI (L.L.C.)
www.peri.ae
- PH** Philippines
PERI-Asia Philippines, INC.
www.peri.com.ph
- QA** Qatar
PERI Qatar LLC
www.peri.qa
- SA** Saudi Arabia
PERI Saudi Arabia Ltd.
www.peri.com.sa
- SG** Singapore
PERI Asia Pte Ltd
www.periasia.com
- TM** Turkmenistan
PERI Kalıp ve İşkeleleri
www.peri.com.tr
- TH** Thailand
Peri (Thailand) Co., Ltd.
www.peri.co.th
- VN** Vietnam
PERI ASIA PTE LTD
www.peri.com.vn

PERI

PERI GmbH
Formwork Scaffolding Engineering
Rudolf-Diesel-Strasse 19
89264 Weissenhorn
Germany
Tel. +49 (0)7309.950-0
Fax +49 (0)7309.951-0
info@peri.com
www.peri.com



Oceania

AU Australia
PERI Australia Pty. Ltd.
www.periaus.com.au

NZ New Zealand
PERI Australia Pty. Limited
www.peri.co.nz

Europe

AL Albania
PERI Kalıp ve İskeleleri
www.peri.com.tr

AT Austria
PERI Ges.mbH
www.peri.at

BA Bosnia and Herzegovina
PERI oplate i skele d.o.o
www.peri.com.hr

BE Belgium
PERI N.V.
www.peri.be

BG Bulgaria
PERI Bulgaria EOOD
www.peri.bg

BY Belorussia
IOOO PERI
www.peri.by

CH Switzerland
PERI AG
www.peri.ch

CZ Czech Republic
PERI spol. s r.o.
www.peri.cz

DE Germany
PERI GmbH
www.peri.de

DK Denmark
PERI Danmark A/S
www.peri.dk

EE Estonia
PERI AS
www.peri.ee

ES Spain
PERI S.A.U.
www.peri.es

FI Finland
PERI Suomi Ltd. Oy
www.perisuomi.fi

FR France
PERI S.A.S.
www.peri.fr

GB United Kingdom
PERI Ltd.
www.peri.ltd.uk

GR Greece
PERI Hellas Ltd.
www.perihellas.gr

HR Croatia
PERI oplate i skele d.o.o.
www.peri.com.hr

HU Hungary
PERI Kft.
www.peri.hu

IR Ireland
Siteserv Access & Formwork
www.siteservaccess.ie

IS Iceland
Armar ehf.
www.armor.is

IT Italy
PERI S.r.l.
www.peri.it

LT Lithuania
PERI UAB
www.peri.lt

LU Luxembourg
N.V. PERI S.A.
www.peri.lu

LV Latvia
PERI SIA
www.peri-latvija.lv

NL Netherlands
PERI b.v.
www.peri.nl

NO Norway
PERI Norge AS
www.peri.no

PL Poland
PERI Polska Sp. z o.o.
www.peri.com.pl

PT Portugal
Pericofragens Lda.
www.peri.pt

RO Romania
PERI România SRL
www.peri.ro

RS Serbia
PERI oplate d.o.o.
www.peri.rs

RU Russia
OOO PERI
www.peri.ru

SE Sweden
PERI Sverige AB
www.peri.se

SI Slovenia
PERI oplate i skele d.o.o
www.peri.com.hr

SK Slovakia
PERI spol. s r.o.
www.peri.sk

TR Turkey
PERI Kalıp ve İskeleleri
www.peri.com.tr

UA Ukraine
TOW PERI
www.peri.ua

**The optimal System
for every Project and
every Requirement**



Wall Formwork



Column Formwork



Slab Formwork



Climbing Systems



Bridge Formwork



Tunnel Formwork



Shoring Systems



Construction Scaffold



Facade Scaffold



Industrial Scaffold



Access



Protection Scaffold



Safety Systems



System-Independent Accessories



Services



PERI GmbH
Formwork Scaffolding Engineering
 Rudolf-Diesel-Strasse 19
 89264 Weissenhorn
 Germany
 Tel. +49 (0)7309.950-0
 Fax +49 (0)7309.951-0
 info@peri.com
 www.peri.com