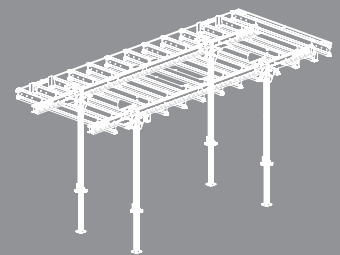
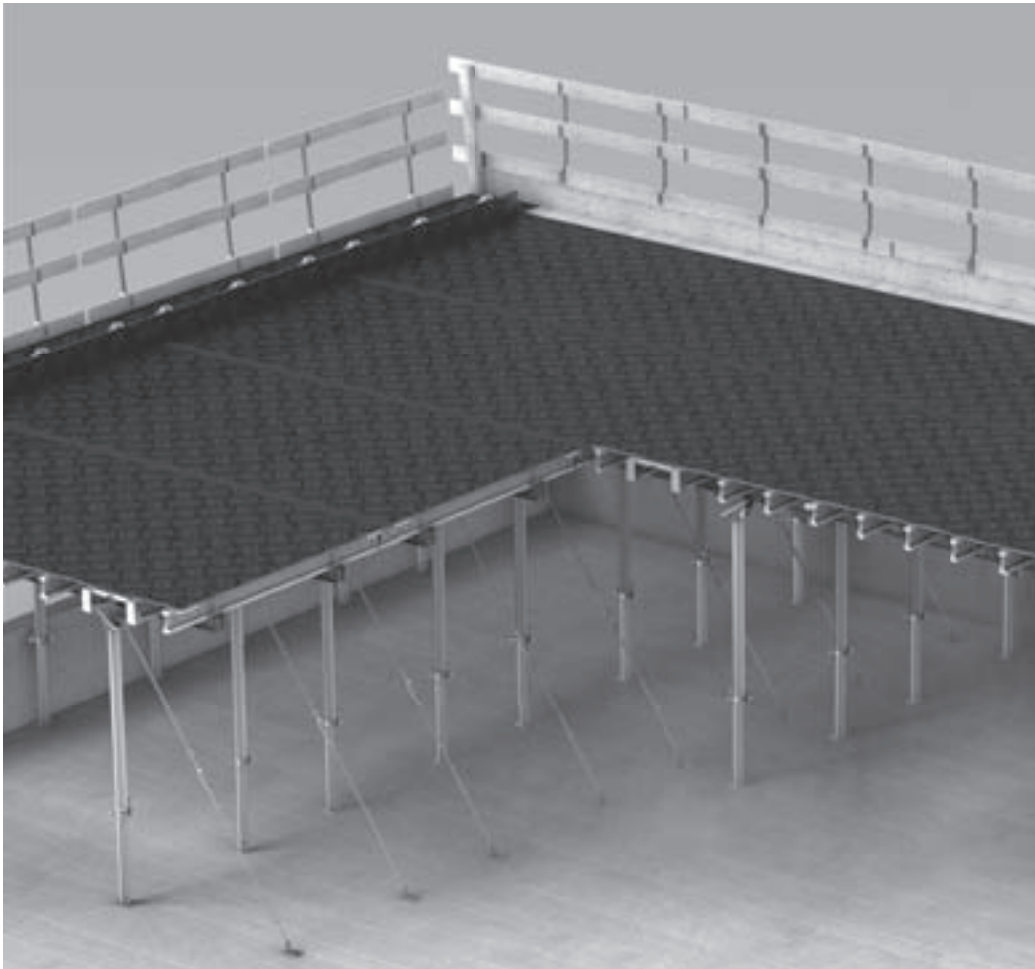


# VARIODECK Steel Waler Slab Table

Instructions for Assembly and Use – Standard Configuration





## Overview

Main components	1
Key	2
Presentational reference	2

## Introduction

Target groups	3
Additional technical documentation	3
Intended use	4
Instructions on Use	4
Cleaning and maintenance instructions	5

## Safety instructions

Cross-system	6
System-specific	7
Storage and transportation	7

## Dimensions

8

## Standard configuration

A1	Storage and transportation	
	Stacking	10
	Moving	10
	Load-securing on the truck	11
	Return deliveries	11
A2	Standard table	
	Table Head Upper Part VD	12
	Prop assembly	13
	Positioning the standard table	14
	Connecting the slab tables	15
A3	Edge table	
	Edge table assembly	16
	Assembly of the guardrail holders	17
	Guardrails	18
	Compensations	19
	Use as safety scaffold	20
A4	Shuttering	
	Positioning the edge table	21
	Positioning the slab tables	21
	Shuttering	21
	Bracing the slab tables	22
	Corner tables	23
A5	Supports	
	Slab Prop PEP	24
	MULTIPROP MP 625	25
	MULTIPROP MP Towers	26
	PERI UP Rosett	28
A6	Infills	
	Longitudinal infill L	30
	Transverse infill B	31
A7	Stoepend for slab formwork	
	Plastic Stoepend Angle	32
A8	Striking	33
A9	Horizontal moving procedure	
	Lowering	35
	Table Trolley 2 t	36
	PERI Table Lift PTL	37
	Trolley with Winch	40

A10	Vertical moving procedure	
	By crane	41
	Material Platform RCS MP 375 and RCS MP 550	43
	Self-climbing landing platform	44

## System supplements

B1	Project tables	
	Girder combinations	45
	Table Head Middle Part VD	46
	Table Head Upper Part VD	47
	Compression Brace Head MP/SRU	49
B2	Project tables Table Head TK	
	Girder combinations	50
	Table Head TK	51
	Slab prop assembly	53
	Horizontal mounting	54
	Bracing the slab table	54
B3	Trapezoidal tables	
	Adapting to the structure	55

## Edge Beams

C1	Edge beam unit	
	Dimensions	56
	Assembly	57
	Positioning	60
	Striking	61
C2	Assembly gallows	
	Assembly	62
	Load-bearing capacity	63
	Inspections	64

## Tables

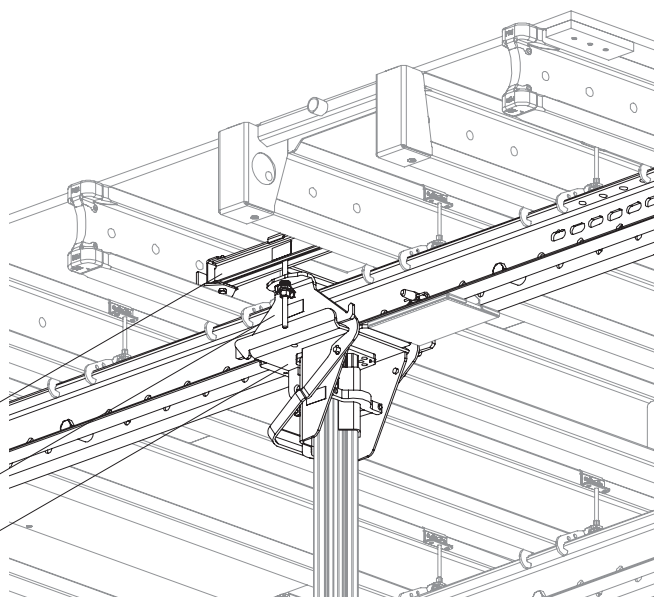
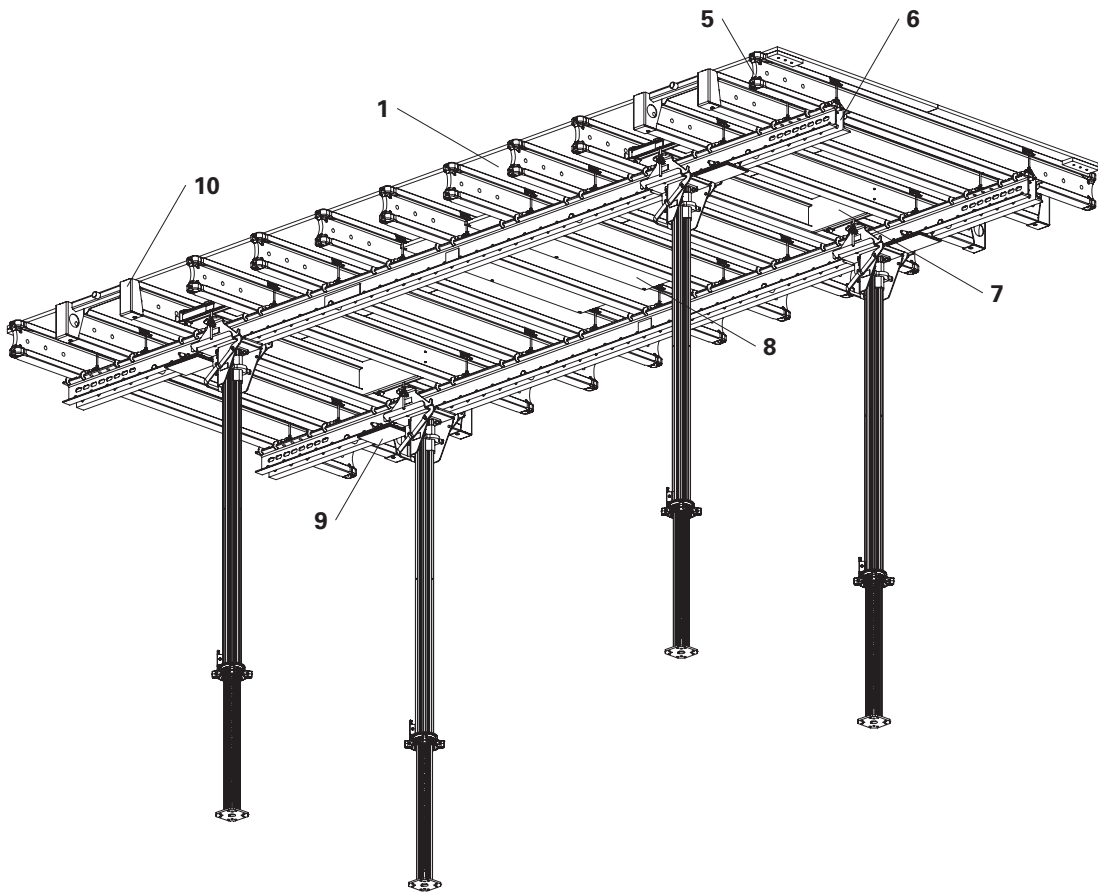
VARIODECK Steel Waler Slab Table	66
MULTIPROP MP 250, 350, 480, 625	
Slab Props	67
Slab Props PEP 20	68
Slab Props PEP 30	69
Slab Props PEP Ergo D	70
Slab Props PEP Ergo E	71

## Components

VARIODECK Steel Waler Slab Table	72
----------------------------------	----

# Overview

## Main components



**1 VARIODECK complete with:**

- 2 Table Head Upper Part VD
- 3 Table Head Middle Part VD
- 4 Table Head Lower Part VD, delivered as a loose part
- 5 Girder VT 20K
- 6 Steel Waler SRU U120
- 7 Stiffening Board
- 8 Forklift Access
- 9 Support Plate VD
- 10 Edge Protector VD




## Key

### Pictogram | Definition

 Safety instructions

 Note

 Load-bearing point

 Visual check

 Tip

 Misapplication

 Safety helmet

 Safety shoes

 Safety gloves

### Dimension specifications

Dimensions are usually given in mm. Other measurement units, e.g. cm, are shown in the illustrations.

### Conventions

- Instructions are numbered with:  
1. ...., 2. ...., 3. ....
- The result of an instruction is shown by: →
- Position numbers are clearly provided for the individual components and are given in the drawing, e.g. **1**, in the text in brackets, for example (1).
- Multiple position numbers, i.e. alternative components, are represented with a slash, e.g. **1 / 2**.

### Pfeile

 Arrow representing an action

## Presentational reference

The illustration on the front cover of these instructions is understood to be a system representation only. The assembly steps presented in these Instructions for Assembly and Use are shown in the form of examples with only one component size. They are valid accordingly for all component sizes contained in the standard configuration.

For a better understanding, detailed illustrations are partly incomplete. The safety installations which have possibly not been featured in these detailed drawings must nevertheless still be available.



## Target groups

### Contractors

These Instructions for Assembly and Use are designed for contractors who either

- assemble, modify and dismantle the formwork systems, or
- use them, e.g. for concreting, or
- who have them used, e.g. for carpentry work or forming operations.

### Construction site coordinator

The Safety and Health Coordinator\*

- is appointed by the client,
- must identify potential hazards during the planning phase,
- determines measures that provide protection against risks,
- creates a safety and health plan,
- coordinates the protective measures for the contractor and site personnel so that they do not endanger each other,
- monitors compliance with the protective measures.

### Competent personnel

Due to the specialist knowledge gained from professional training, work experience and recent professional activity, the qualified person has a reliable understanding of safety-related issues and can correctly carry out inspections. Depending on the complexity of the test to be undertaken, e.g. scope of testing, type of testing or the use of a certain measuring device, a range of specialist knowledge is necessary.

### Qualified persons

The scaffolding may only be assembled, modified or dismantled by personnel who are suitably qualified to do so. For the work to be carried out, the qualified persons must have received instructions\*\* which contain at least the following points:

- Explanation of the plan for the assembly, modification or dismantling of the formwork in an understandable form and language.
- Description of measures in order to safely assemble, modify or dismantle the scaffolding.
- Designation of the preventive measures to avoid the risk of persons and objects falling.

- Designation of the safety precautions in the event of changing weather conditions which could adversely affect the safety of the formwork system as well as the personnel concerned.
- Details regarding the permissible loads.
- Description of any other risks that are associated with the assembly, modification or dismantling procedures.



- **In other countries, ensure that the relevant national guidelines and regulations in the respective current version are complied with!**
- **If no country-specific regulations are available, it is recommended to proceed according to German rules and regulations.**

\* Valid in Germany: Regulations for Occupational Health and Safety on Construction Sites 30 (RAB 30).

\*\* Instructions are given by the contractor himself or a competent person appointed by him.

---

## Additional technical documentation

- Instructions for Assembly and Use
  - PERI UP Flex Shoring Tower
- Type tests
  - MULTIPROP Individual Prop
  - MULTIPROP System
  - MULTIPROP Individual Prop with Base MP 50
  - MULTIPROP System with Base MP 50
- Instructions for Use
  - Table Lifting Forks
  - Pallets and Stacking Devices
  - Trolley with Winch
  - Table Lift PTL
  - Table Trolley 2 t
  - Stripping Cart ASW 465
- PERI Rental Service
  - VARIODECK Slab Tables
- Design Tables 2015 – Formwork and Shoring

## Intended use

### Product description

PERI products have been designed for exclusive use in the industrial and commercial sectors by qualified personnel only.

PERI VARIODECK features pre-assembled slab tables with steel walers as the main beams.

The slab table is equipped with separated table heads which accommodate the four props. The upper and middle parts are integral components of the slab table. The Table Swivel Head Lower Part is supplied separately and mounted together with the prop in the middle part. Due to the installation of guardrail holders and guardrail posts, the slab table is transformed into an edge table without having to change the position of the props.

Beams, stop ends and project-related slab tables are possible.

### Features

- Table lengths: 400 cm and 600 cm
- Table width: 215 cm, max. 217 cm  $\pm 4$  mm (formlining 200 cm)
- Table width: 265 cm, max. 267 cm  $\pm 4$  mm (formlining 250 cm)
- Area 13 m<sup>2</sup> or 16 m<sup>2</sup>

### Technical data

- Permissible slab thickness  
d<sub>max</sub>: 50 cm
  - Slab table with shoring, e.g. PERI UP Rosett Flex Plus: max. 8.0 m. Larger heights are to be verified separately.
  - The proof of stability corresponds to Design Class B1 according to DIN EN 12812.
  - Edge tables have a reliable live load of 150 kg/m<sup>2</sup>.
  - The VARIODECK slab table has been approved for use as safety scaffold in accordance with DIN 4420.

---

## Instructions on Use

The use in a way not intended, deviating from the standard configuration or the intended use according to the Instructions for Assembly and Use, represents a misapplication with a potential safety risk, e.g. risk of falling.

Only PERI original components may be used. The use of other products and spare parts is not allowed.

Changes to PERI components are not permitted.

## Cleaning and maintenance instructions

In order to maintain the value and operational readiness of the materials over the long term, clean the elements after each use. Some repair work may also be inevitable due to the tough working conditions.

The following points should help to keep cleaning and maintenance costs as low as possible.

Spray the formwork on both sides with concrete release agent before each use; this allows easier and faster cleaning of the formwork. Spray the concrete release agent very thinly and evenly! Important! Risk of slipping: the platform areas must remain free of any release agent!

Spray the formwork with water immediately after concreting; this avoids any time-consuming and costly cleaning operations.

When used continuously, spray the panel formlining with concrete release agent immediately after cleaning; then clean by means of a scraper, brush or rubber lip scraper. Important: do not clean formlining made of plywood with high-pressure equipment; this could result in the formlining being damaged.

Fix box-outs and mounting parts with double-headed nails; as a result, the nails can easily be removed later, and damage to the formlining is largely avoided.

Close all unused anchor holes with plugs; this eliminates any subsequent cleaning or repair work. Anchor holes accidentally blocked with concrete are freed by means of a steel pin from the formlining side.

When placing bundles of reinforcement bars or other heavy objects on horizontally-stored formwork elements, suitable support, e.g. square timbers, is to be used; as a result, impressions and damage to the formlining are largely avoided.

Internal concrete vibrators should be fitted, if possible, with rubber caps; as a result, any damage to the formlining is reduced if the vibrator is accidentally "inserted" between the reinforcement and formlining.

Never clean powder-coated components, e.g. elements and accessories, with a steel brush or hard metal scraper; this ensures that the powder-coating remains intact.

Use spacers for reinforcement with large-sized supports or extensive areas of support; this largely avoids impressions being formed in the formlining when under load.

Mechanical components, e.g. spindles or gear mechanisms, must be cleaned of dirt or concrete residue before and after use, and then greased with a suitable lubricant.

Provide suitable support for the components during cleaning so that no unintentional change in their position is possible.

Do not clean components suspended on a crane.

## Cross-system

### General

The contractor must ensure that the Instructions for Assembly and Use supplied by PERI are available at all times and understood by the site personnel.

These Instructions for Assembly and Use can be used as the basis for creating a risk assessment. The risk assessment is compiled by the contractor. These Instructions for Assembly and Use do not replace the risk assessment!

Always take into consideration and comply with the safety instructions and permissible loads.

For the application and inspection of PERI products, the current safety regulations and guidelines must be observed in the respective countries where they are being used.

Materials and working areas are to be inspected on a regular basis, especially before each use and assembly, for:

- signs of damage,
- stability and
- function.

Damaged components must be exchanged immediately on site and may no longer be used.

Safety components are to be removed only when they are no longer required.

Components provided by the contractor must conform with the characteristics required in these Instructions for Assembly and Use as well as with all valid construction guidelines and standards. In particular, the following applies if nothing else is specified:

- Timber components: Strength Class C24 for Solid Wood according to EN 338.
- Scaffold tubes: galvanised steel tubes with minimum dimensions of  $\varnothing 48.3 \times 3.2$  mm according to EN 12811-1:2003 4.2.1.2.
- Scaffold tube couplings according to EN 74.

Deviations from the standard configuration are only permitted after a further risk assessment has been carried out by the contractor. On the basis of this risk assessment, appropriate measures for working and operational safety as well as stability are to be determined.

Corresponding proof of stability can be provided by PERI on request if the risk assessment and resulting measures to be implemented are made available.

Before and after exceptional occurrences that may have an adverse effect regarding the safety of the formwork system, the contractor must immediately

- create another risk assessment, with appropriate measures for ensuring the stability of the formwork system being carried out based on the results,
- and arrange for an extraordinary inspection by a competent person. The aim of this inspection is to identify and rectify any damage in good time in order to guarantee the safe use of the formwork system.

Exceptional occurrences can include:

- accidents,
- longer periods of non-use,
- natural events, e.g. heavy rainfall, icing, heavy snowfall, storms or earthquakes.

### Assembly, modification and dismantling work

Assembly, modification or dismantling of formwork systems may only be carried out by qualified persons under the supervision of a competent person. The qualified persons must have received appropriate training for the work to be carried out with regard to specific risks and dangers.

On the basis of the risk assessment and Instructions for Assembly and Use, the contractor must create installation instructions in order to ensure safe assembly, modification and dismantling of the formwork system.

The contractor must ensure that the personal protective equipment required for the assembly, modification or dismantling of the formwork system, e.g.

- safety helmet,
  - safety shoes,
  - safety gloves,
  - safety glasses,
- is available and used as intended.

If personal protective equipment against falling (PPE) is required or specified in local regulations, the contractor must determine appropriate attachment points on the basis of the risk assessment.

The personal protective equipment against falling to be used is determined by the contractor.

The contractor must

- provide safe working areas for site personnel which are to be reached through the provision of safe access ways. Areas of risk must be cordoned off and clearly marked.
- ensure the stability during all stages of construction, in particular during assembly, modification and dismantling of the formwork.
- ensure and prove that all loads can be safely transferred.

### Utilisation

Every contractor who uses or allows formwork systems or sections of the formwork to be used, has the responsibility for ensuring that the equipment is in good condition.

If the formwork system is used successively or at the same time by several contractors, the health and safety coordinator must point out any possible mutual hazards and all work must be then coordinated.

## System-specific

Retract components only when the concrete has sufficiently hardened and the person in charge has given the go-ahead for striking to take place.

Anchoring is to take place only if the anchorage has sufficient concrete strength.

When storing heavy items on the formwork, the load-bearing capacity must be taken into consideration.

Cantilevers may only be accessed after bracing has been securely mounted.

The horizontal fixed position of the slab formwork must be guaranteed. This is given with circumferential walls and pre-concreted beams. Otherwise, the transfer of the horizontal loads has to be guaranteed by means of other measures supplied by the contractor, e.g. bracing. Load assumptions for horizontal loads in accordance with DIN EN 12812.

## Storage and transportation

Store and transport components ensuring that no unintentional change in their position is possible. Detach lifting accessories and slings from the lowered components only if they are in a stable position and no unintentional change is possible.

Do not drop the components.

Use PERI lifting accessories and slings as well as only those load-bearing points provided on the component.

During the moving procedure

- ensure that components are picked up and set down so that unintentional falling over, falling apart, sliding, falling down or rolling is avoided.
- no persons are allowed to remain under the suspended load.

Always guide pre-assembled scaffolding bays, scaffolding units or scaffolding sections with ropes when moving them by crane.

The access areas on the jobsite must be free of obstacles and tripping hazards as well as being slip-resistant.

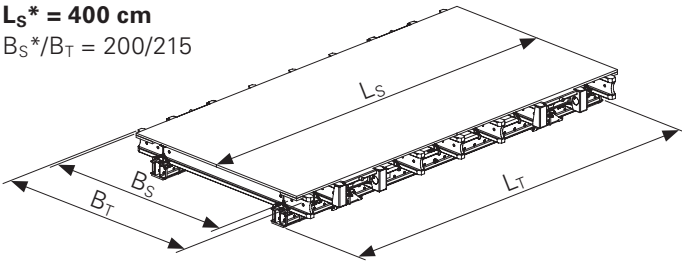
For transportation, the surface used must have sufficient load-bearing capacity.

Use original PERI storage and transport systems, e.g. crate pallets, pallets or stacking devices.

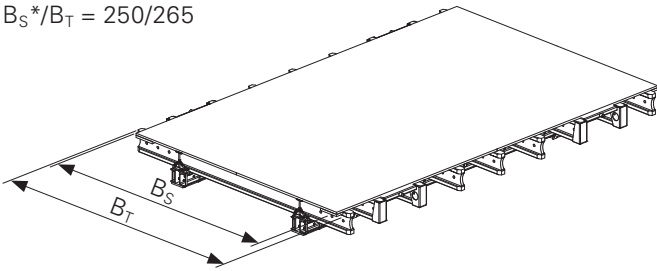
## Slab tables with Steel Waler SRU as main beam and Girder VT 20K as cross beam

- \*  $L_S$  = formlining length (table)
- $L_T$  = girder length
- \*  $B_S$  = formlining width
- $B_T$  = girder width

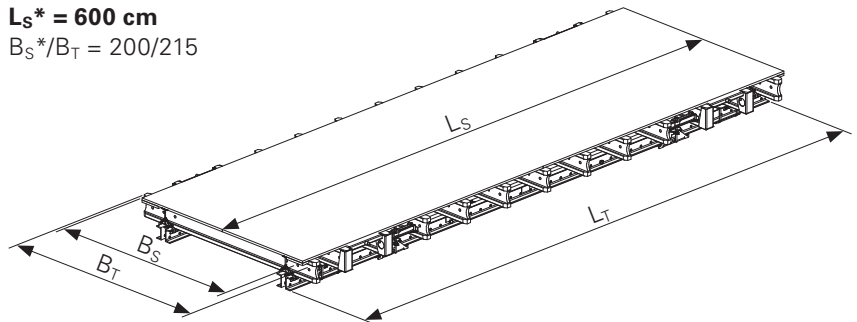
**$L_S^* = 400$  cm**  
 $B_S^*/B_T = 200/215$



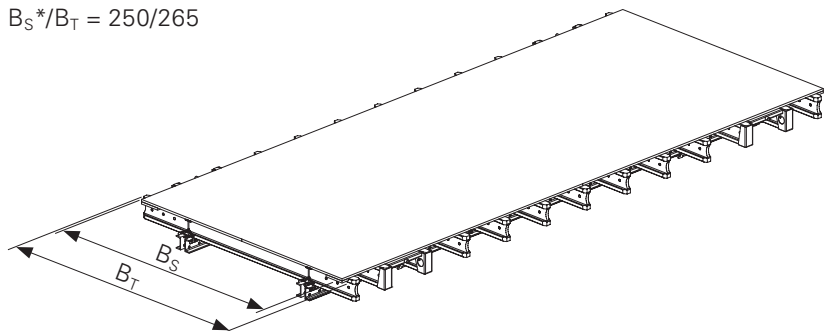
$B_S^*/B_T = 250/265$



**$L_S^* = 600$  cm**  
 $B_S^*/B_T = 200/215$



$B_S^*/B_T = 250/265$

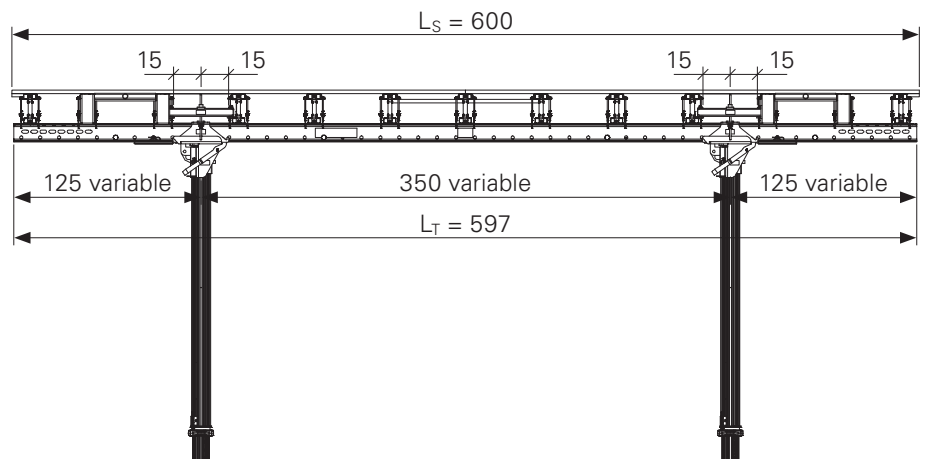
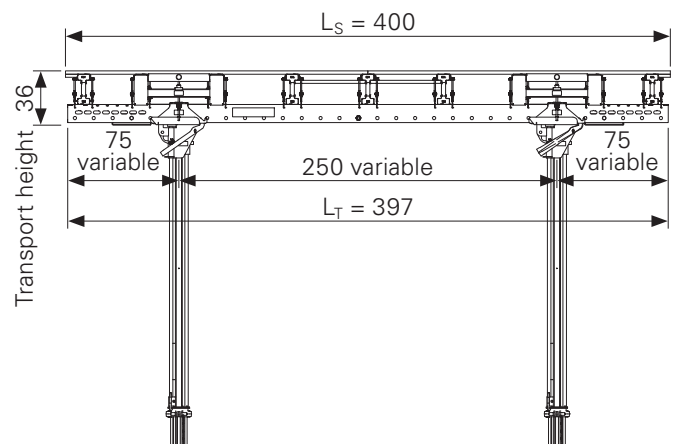
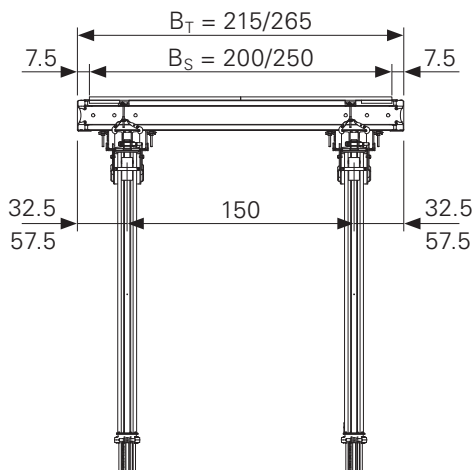
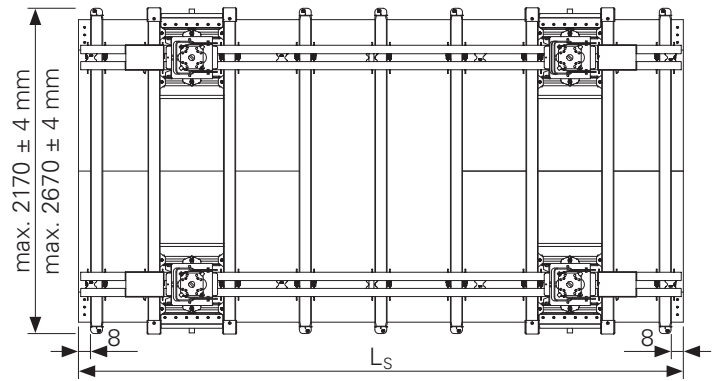




# Dimensions

Slab tables				
	200/215 x 400	200/215 x 600	250/265 x 400	250/265 x 600
B <sub>T</sub>	215	215	265	265
B <sub>S</sub>	200	200	250	250
L <sub>S</sub>	400	600	450	650
L <sub>T</sub>	397	597	397	597

Dimensions in [cm]



## Stacking



- Manually-created transportation units must be correctly stacked and secured.
- Only slab tables of the same size are to be transported in one stack.
- Support plates have to be positioned one on top of the other.

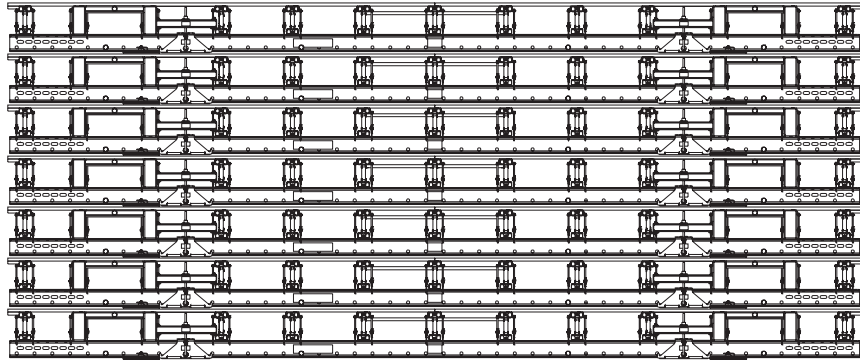


Fig. A1.01

Stack size suitable for truck transport:  
Max. 7 slab tables.

Overall height per table: 0.36 m.

(Fig. A1.01a)

Transport width: 2.17 m or 2.67 m  
± 4 mm.

(Fig. A1.01)

Mount Edge Protector VD (10) on both  
sides if these have not already been  
installed.

(Fig. A1.02)

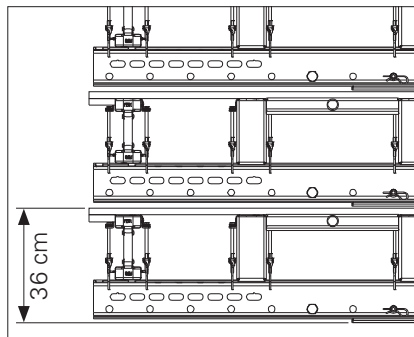


Fig. A1.01a

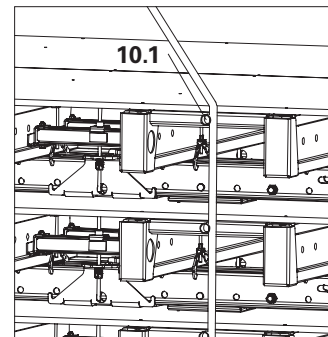


Fig. A1.02a

## Moving

### In stacks

Max. 4 slab tables.

Place textile straps (24) over the Edge  
Protector VD (10).

(Fig. A1.02)

The anti-slip device (10.1) holds the  
textile straps (24) in position.

(Fig. A1.02a)

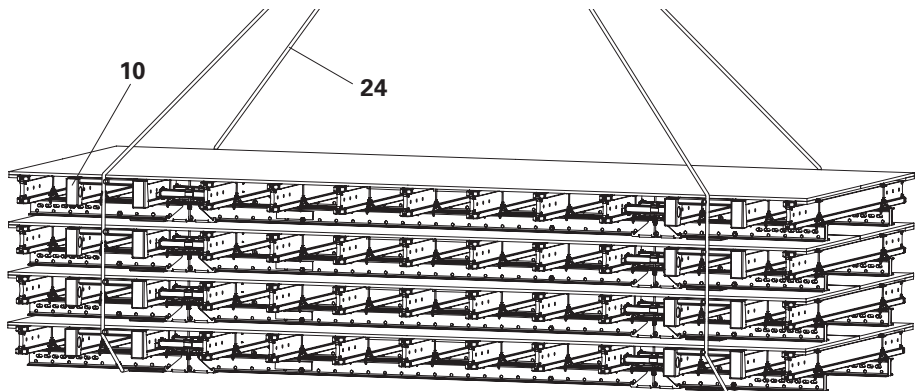


Fig. A1.02



### Follow Instructions for Use for the Table Lifting Fork!

#### Individually with

– Lifting Fork 1 t / 5.0 m for Table VD  
L = 400

– Lifting Fork 1.25 t / 6.0 m complete

– Lifting Fork 1.5 t / 8.0 m / 6.6 m

– Lifting Fork 1.75 t / 8.0 m

(Fig. A1.03)

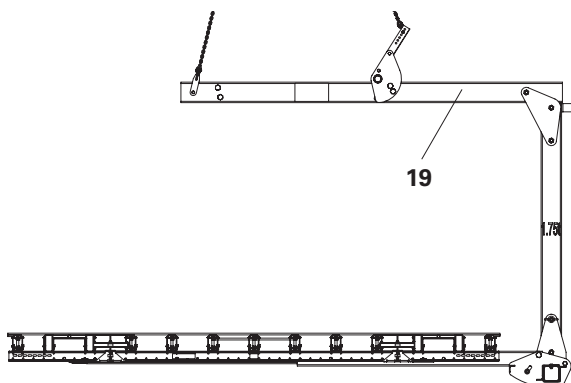


Fig. A1.03

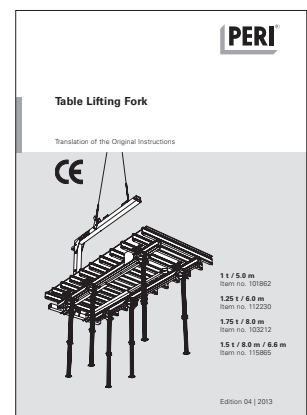


Fig. A1.03a

## Load-securing on the truck



**Always secure each individual stack using four tension belts.**

When securing the stack, position the tension belts (17.3) over the edge protectors (10) and timbers (49). Position the tension belt on the top slab table over the Steel Waler SRU U120 (6).

Tighten tension belts in an alternating fashion.

(Fig. A1.04 + Fig. A1.04a)

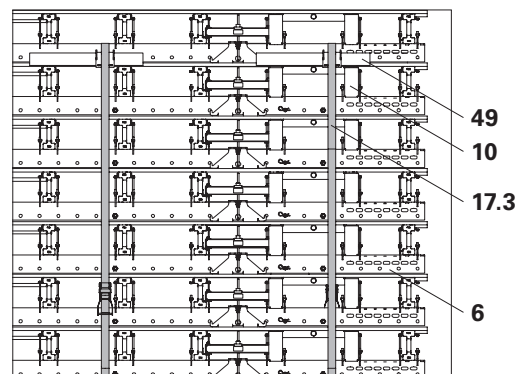


Fig. A1.04a

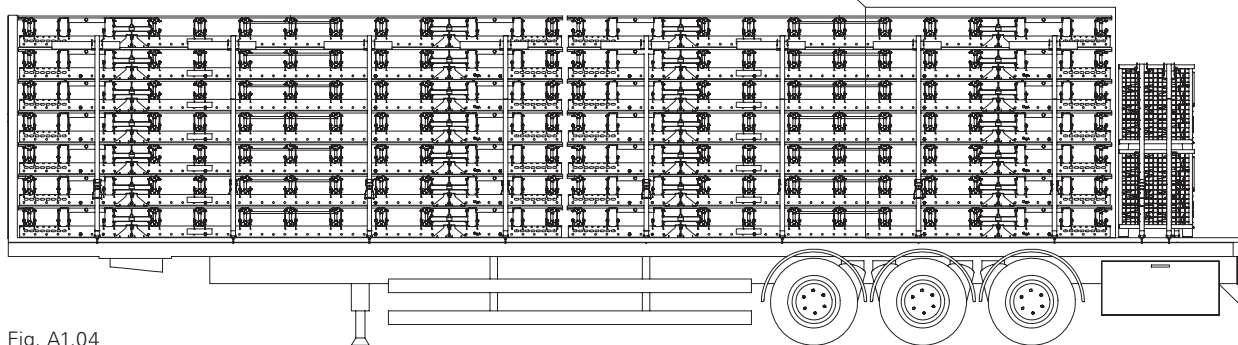


Fig. A1.04

## Return deliveries

Slab tables which were re-assembled on the jobsite must be assembled back into the same condition as they were when delivered, or in 0 position, see arrow.

(Fig. A1.05b)

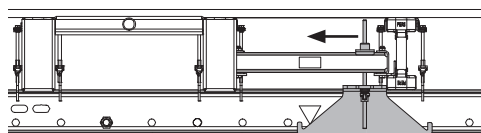


Fig. A1.05a

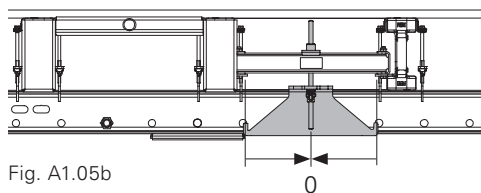
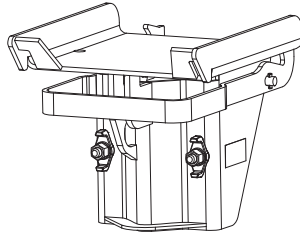


Fig. A1.05b

## Table Head Lower Part VD



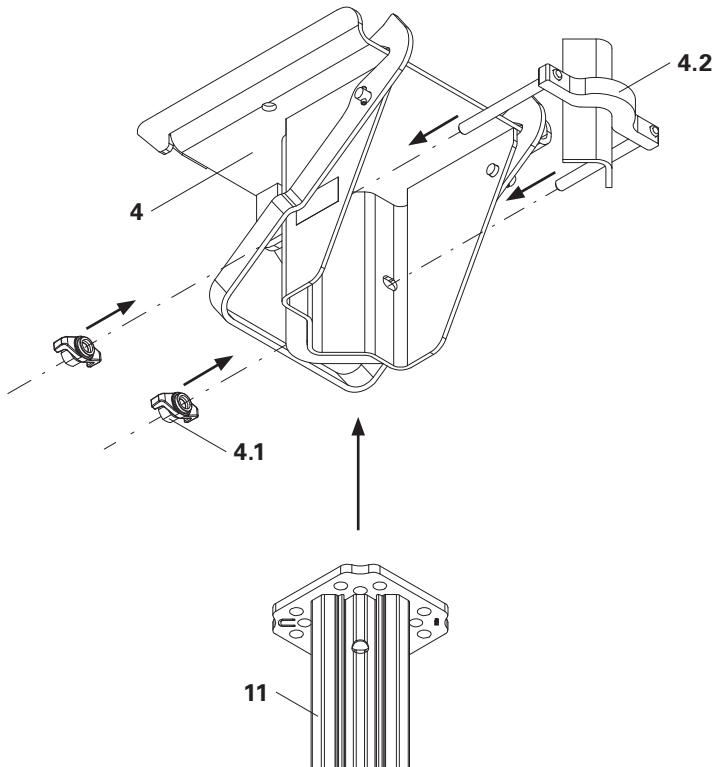
- Do not exceed the perm. load-bearing capacity of 56 kN.
- Transfer loads through sufficiently load-bearing props.



- The prop end plate must lie completely flat on the mounting plate.
- Secure longer props against tilting.
- Suitable for props  $\varnothing$  57 to 100 cm.

### Assembly

1. Adjust the prop length on the MULTIPROP MP (11).
2. Loosen nuts (4.1) and remove mounting bracket (4.2).
3. Position MULTIPROP MP (11) on the mounting plate.
4. Position mounting bracket (4.2) on the MULTIPROP MP (11).
5. Secure mounting bracket (4.2) by means of nuts (4.1).  
(Fig. A2.01)



- Assembly is also possible horizontally.
- Other props up to  $\varnothing \leq 100$  can also be used instead of the MULTIPROP MP. (Fig. A2.02)
- Fast assembly is possible with the Power Screwdriver (Item no. 072150) and Pipe Socket Wrench SW 20- $\frac{1}{2}$ " (Item no. 072200). (Fig. A2.03)
- In order to ergonomically use the adjusting nut of the prop – depending on the height of the application – the prop is clamped upwards together with the outer tube.
- The clamping of the outer tube at the top normally ensures a higher load-bearing capacity of the props, see Design Tables 2015 – Formwork and Shoring. The adjustment range is unrestricted.

Fig. A2.01

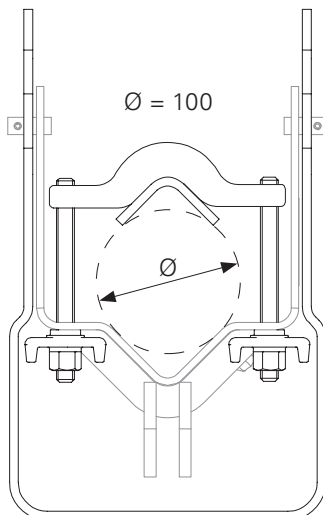


Fig. A2.02

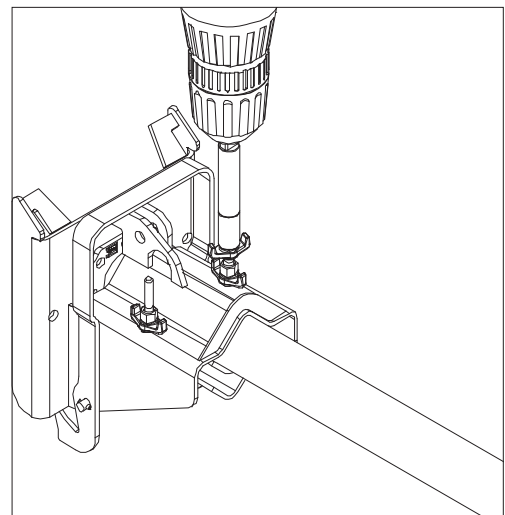


Fig. A2.03

## Prop assembly



- Keep clear of the pivoting range of the props.
- Do not work under any suspended loads.



Take into account the pivoting direction of the props during the moving procedure.

### Assembly

1. Position textile straps (24) under the slab table (1) and lift.
2. Position slab table (1) on a stable auxiliary construction, e.g. Table Trolley 2 t.
3. According to the pivoting direction, mount MULTIPROP MP (11) with the Table Head Lower Part VD (4) in the lugs (3.1) on the Table Head Centre Part VD (3). (Fig. A2.05a)
4. Pivot the MULTIPROP MP (11) until it is in a vertical position. (Fig. A2.05b)  
→ The retaining clip (4.3) engages the Table Head Centre Part VD (3) (audible click).



The retaining clip (4.3) must be engaged. If necessary, the retaining clip is locked in place by hand. (Fig. A2.06a + A2.06b)

5. Repeat Steps 3 and 4 on the remaining MULTIPROPS MP (11). (Fig. A2.04)
6. Transport slab table (1) to place of use.

Observe folding direction. (Fig. A2.06a + A2.06b)

Adapting to the structure: see Section B3.

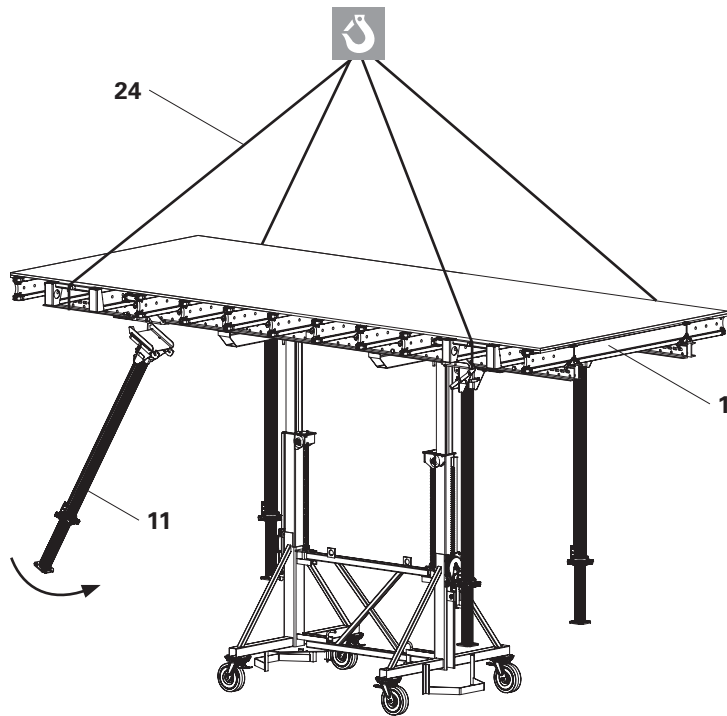


Fig. A2.04

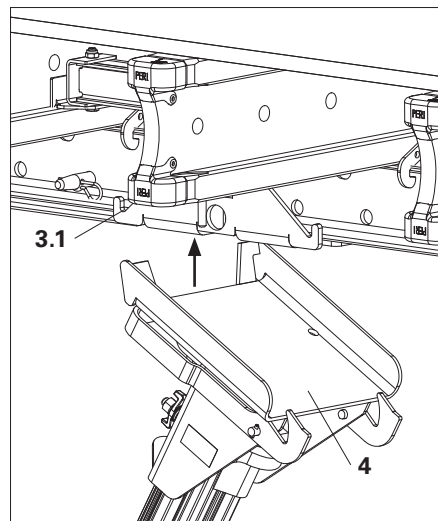


Fig. A2.05a

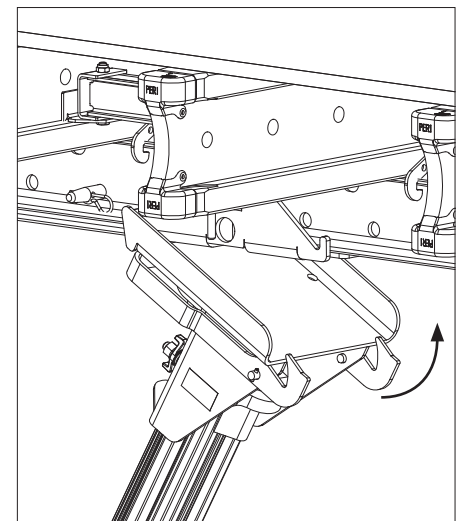


Fig. A2.05b

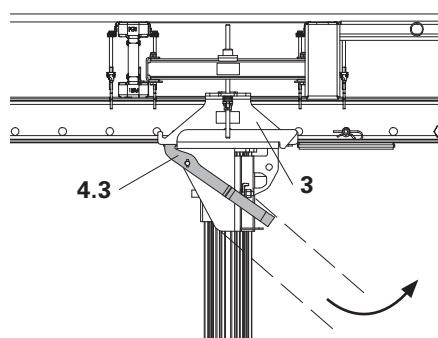


Fig. A2.06a

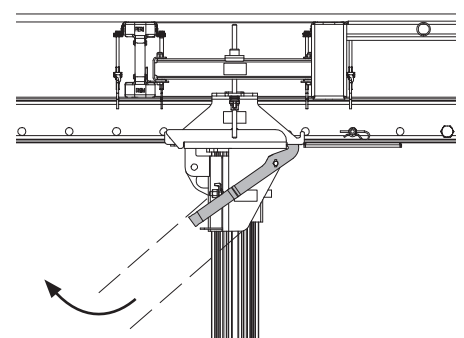


Fig. A2.06b

## Positioning the standard table



- Props cannot transfer horizontal forces.
- Slab tables must be securely connected to fixed components so that horizontal forces can be transferred from the upper construction into the building.
- This can take place by means of wedging against walls or columns.
- If necessary, bracing is to be used or other appropriate measures are to be taken.

### Pre-assembly

Fix edge strips to the slab tables on the wall side.

### Fixing slab tables



Slab tables must be securely connected to fixed components in order to transfer horizontal forces from the upper construction into the building.

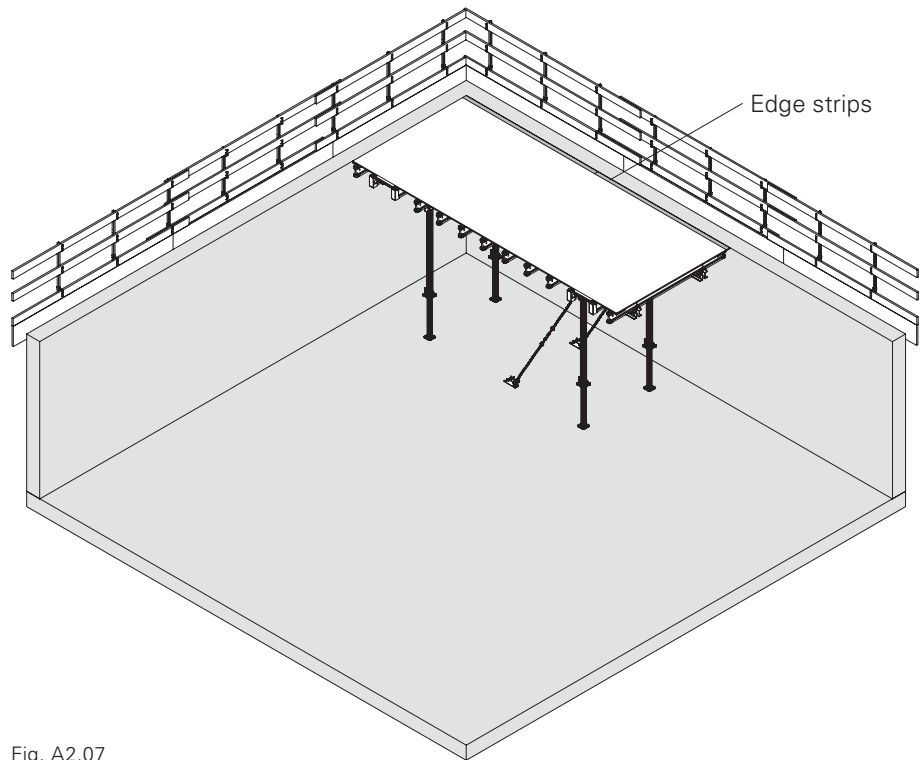


Fig. A2.07

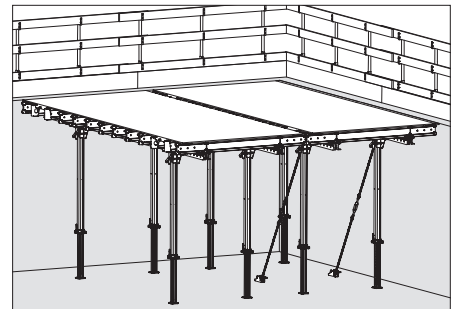


Fig. A2.08a

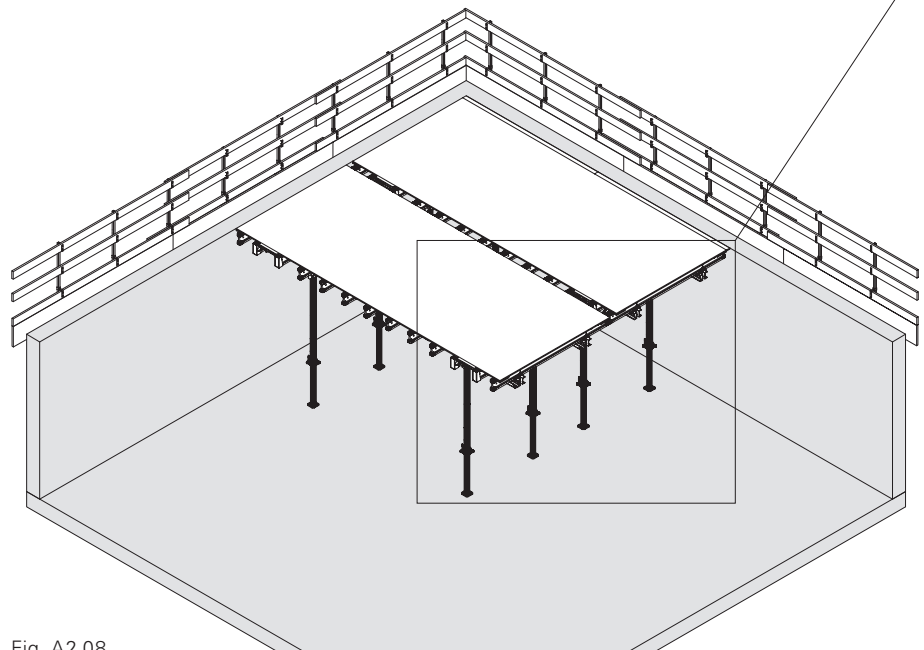


Fig. A2.08

## Connecting the slab tables



Assembly is carried out from a safe working position, e.g. formwork carriage.

### Longitudinal direction

By using the Coupling VKZ 99 (15), slab tables can be brought into position and connected tightly.

### Assembly

1. Set up slab tables side by side.
2. Insert Coupling VKZ 99 (15) from below between the two Steel Walers SRU U120 (6).
3. Insert the Wedge KZ (15.1) into the designated longitudinal holes and secure. (Fig. A2.09)

Section

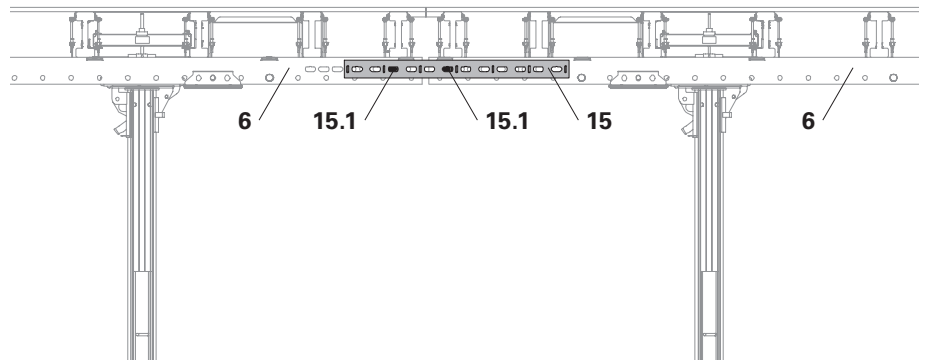


Fig. A2.09

### Lateral direction

Slab tables can be brought into position and tightly connected by using the Coupling VD (16).

### Assembly

1. Slide the Coupling VD (16) in the centre of the table over the outer Steel Walers SRU U120 (6) of both tables.
2. Mount hook tie (16.2a) on one side in the Steel Waler SRU U120 (6).
3. Mount the hook tie (16.2b) on the other side in the Steel Waler SRU U120 (6) and secure by means of a triple wingnut (16.1). (Fig. A2.10)

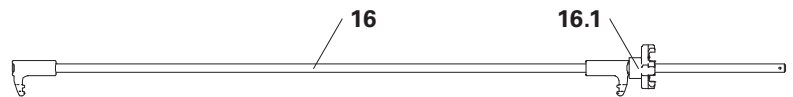


Fig. A2.10a

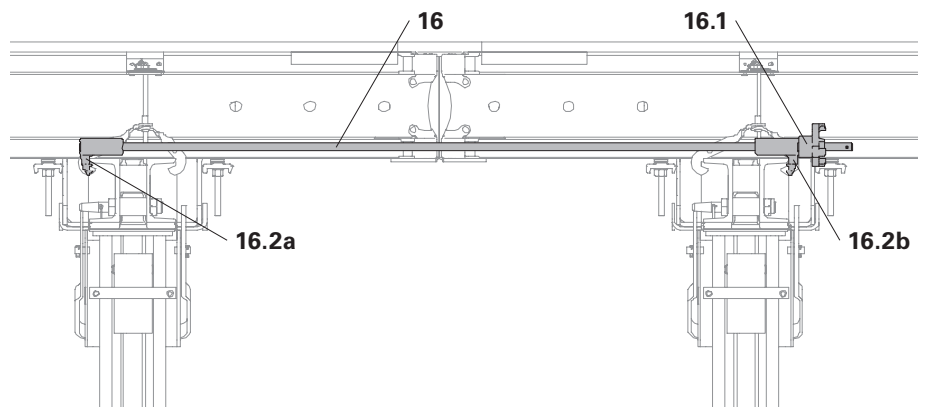


Fig. A2.10



## Edge table assembly



The guardrails can be mounted directly while the slab table is positioned on the stack.

### Assembly

1. Mount guardrail holder.  
(Fig. A3.01)
2. Mount guardrails.  
(Fig. A3.02)
3. Mount props.  
(Fig. A3.03)
4. Bring edge table into position.

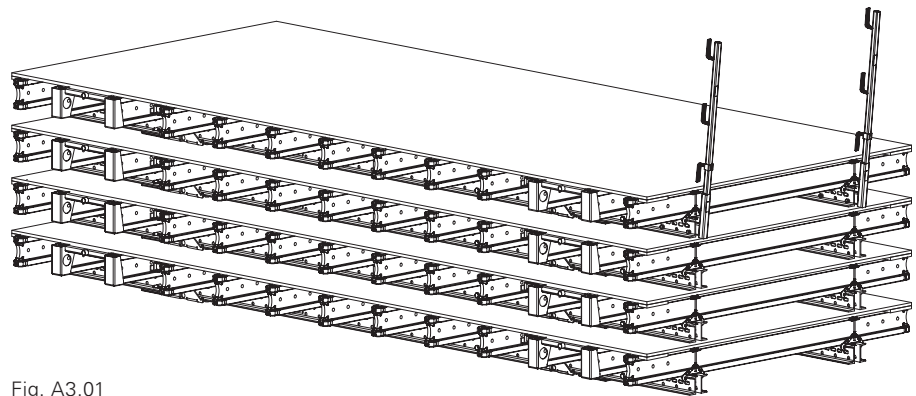


Fig. A3.01

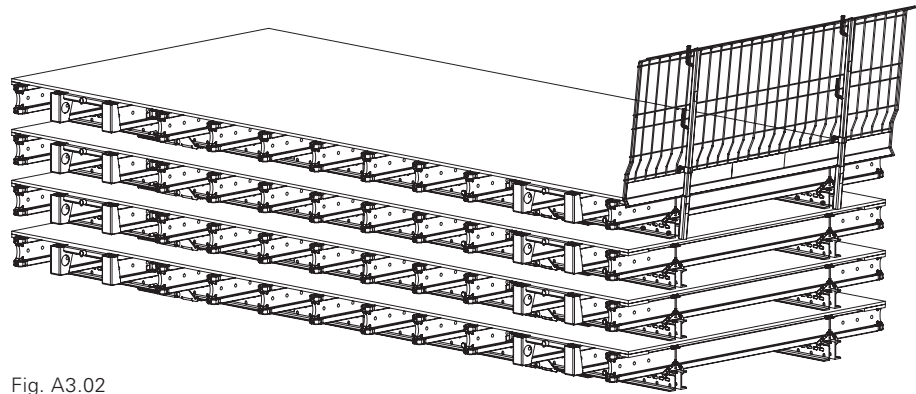


Fig. A3.02



Fig. A3.03



## Assembly of the guardrail holders

### Assembly on the Steel Waler SRU U120

1. Insert Guardrail Holder SRU/SRZ (14.1) with the square pipe upwards into the Steel Waler SRU U120 (6).
2. Attach to the Steel Waler SRU U120 (6) using 2x Fitting Pin  $\varnothing 20 \times 140$  (55), and secure with cotter pins 4/1 (47).
3. Insert Guardrail Post HSGP-2 (12).  
Alternatively: Guardrail Post SGP. (Fig. A4.03a)
4. Attach Side Mesh Barrier PMB 260 (39) or handrail boards.

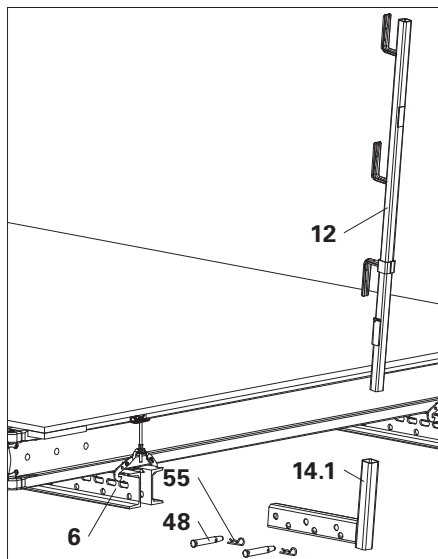


Fig. A3.04a

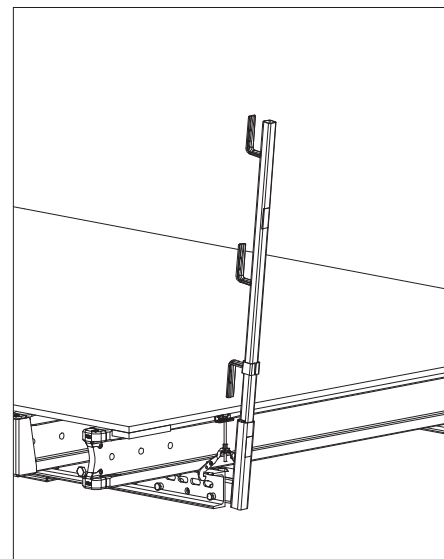


Fig. A3.04b

### Assembly on the Girder VT 20K

1. Push the Guardrail Holder GT 24 / VT 20 (14.2) with the square pipe downwards onto the Girder VT 20K (5).
2. Attach to Girder VT 20K (5) using 1x Fitting Pin  $\varnothing 20 \times 140$  (55), and secure with cotter pin 4/1 (47).
3. Insert Guardrail Post HSGP-2 (12). (Fig. A4.03b)
4. Attach Side Mesh Barrier PMB 260 (39) or handrail boards.

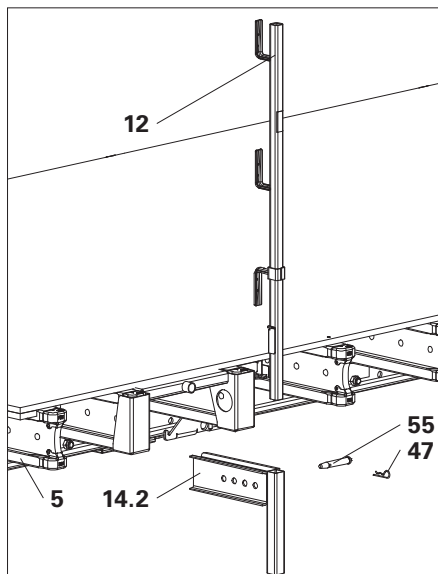


Fig. A3.05a

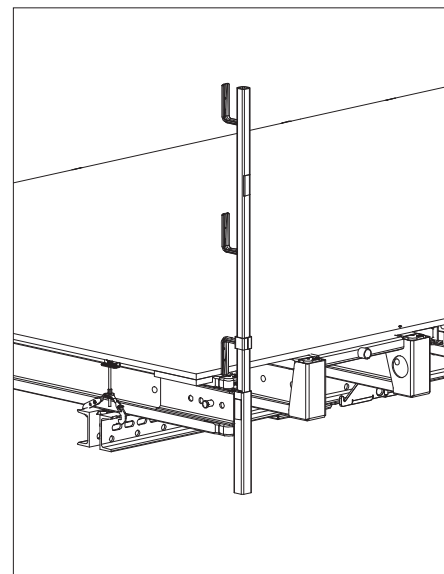


Fig. A3.05b

## Guardrails



- Mount side protection continuously.
- Secure side protection boards with nails or screws.

Guardrails are pre-assembled on the ground and consist of:

- Guardrail Holder SRU/SRZ
- Guardrail Holder GT 24 / VT 20
- Guardrail Post HSGP-2
- PROKIT EP 110 / Handrail boards (supplied by contractor)

← Length of side protection Table + overhang on both sides →

← Side Mesh Barrier PMB 260 HSGP →

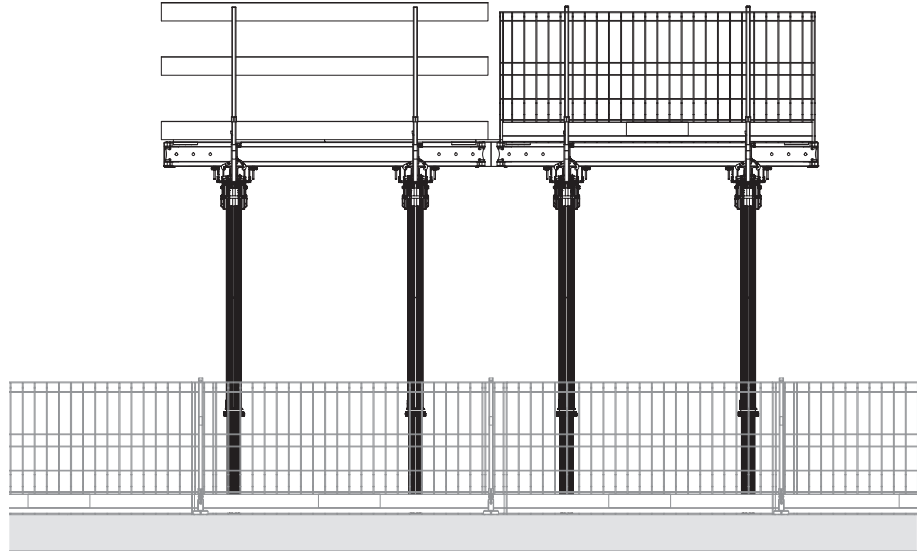


Fig. A3.06

## Side protection

according to DIN EN 12811-1

- perm. width of influence of the guard-rail posts: 1.57 m
- side protection boards 3 x 15 cm
- wind load 0.6 kN/m<sup>2</sup>
- length of side protection:
  - table width  $B_S$  + overhang
  - table length  $L_S$  + overhang

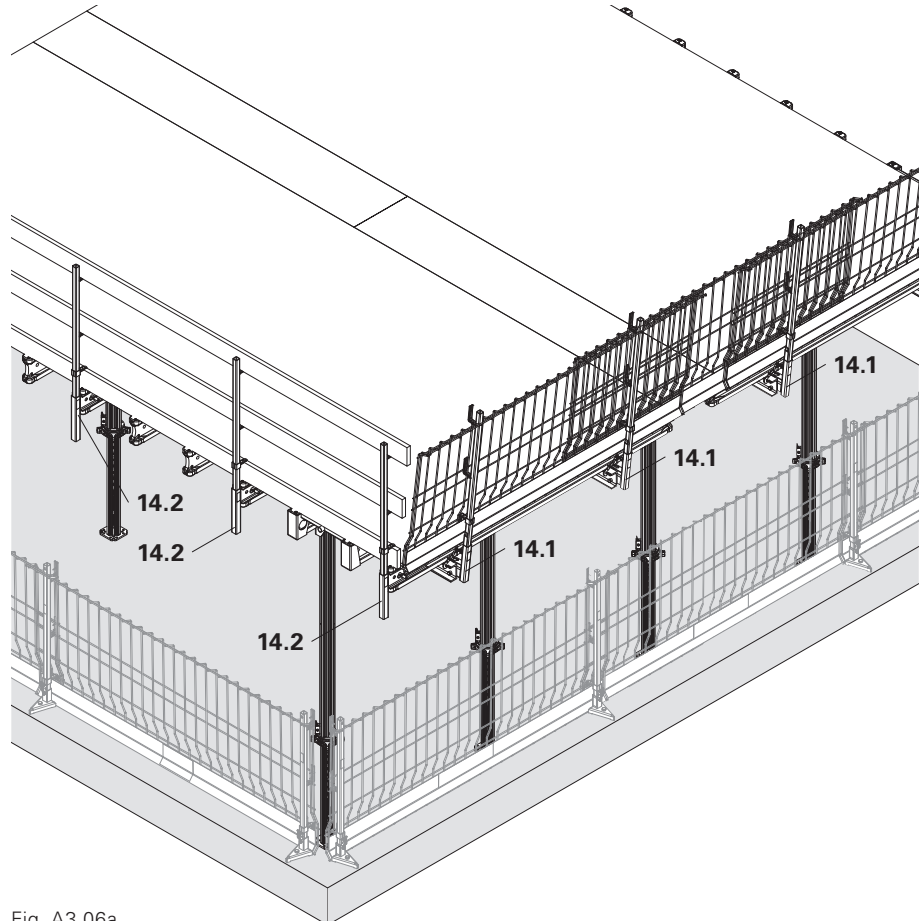


Fig. A3.06a

## Compensation



**Pre-assemble compensation in the cantilevered area.**

### Pre-assembly

1. Fix distance boards (46) on the Girder VT 20K (5).
2. Insert planks 4 x 20 cm (13) between Girders VT 20K (5) and over both Steel Walers SRU U120 (6).  
 $L = 250 + 1500 + 500 (250) + x$ .  
 (Fig. A4.07a)
3. Fix planks 4 x 20 cm (13) with nails (13.1), e.g. Double Headed Nail 3.1 x 65. (Fig. A4.07b)
4. Cover ½ the compensation with formlining. (Span: see Section A6)
5. Mount guardrails.

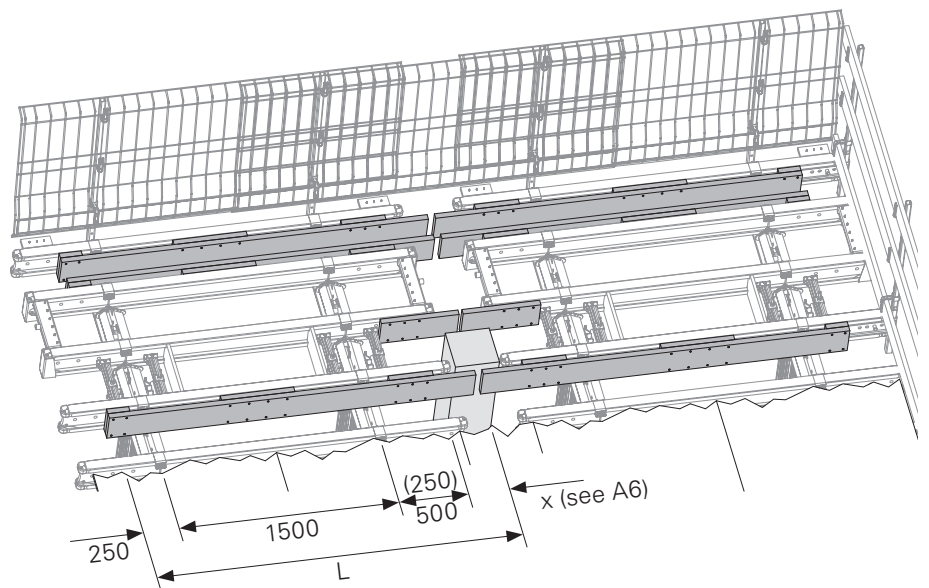


Fig. A3.07a

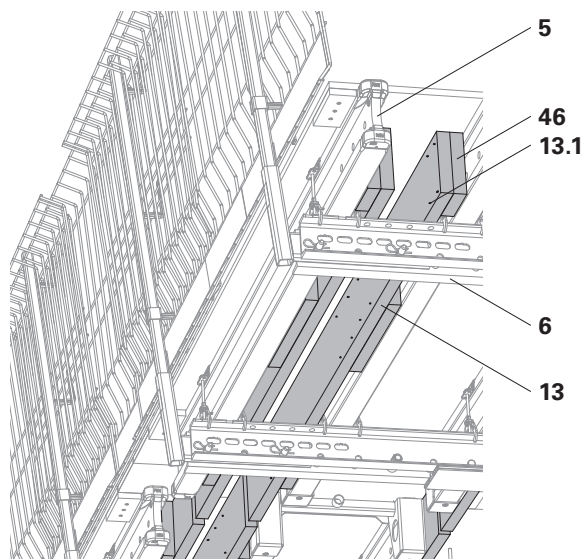


Fig. A3.07b

## Use as safety scaffold

The slab table has been approved for use as safety scaffold in accordance with DIN 4420. Verification of the load-bearing capacity of the formlining is available.  
(Fig. A3.08)

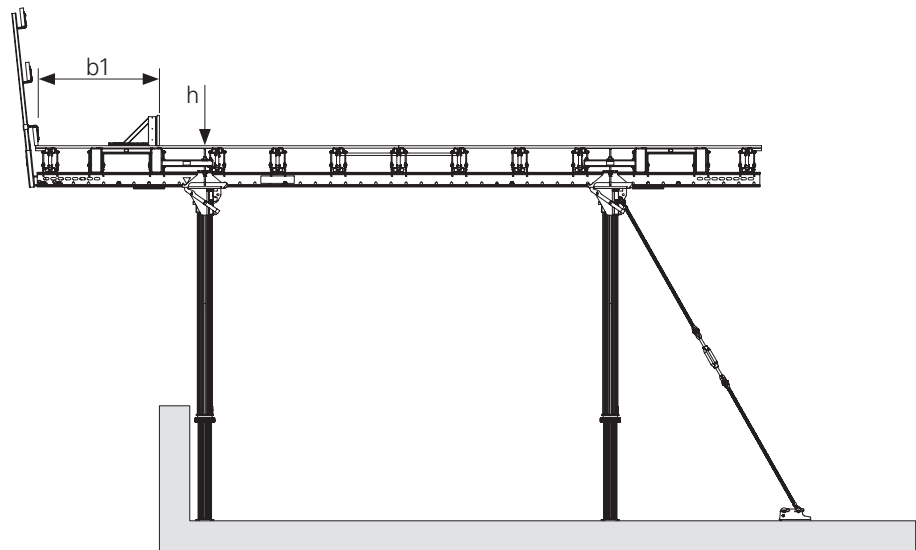


Fig. A3.08

DIN 4420 T1				
Falling height	$h$ [m]	to	2.00	3.00
Minimum spacing	$b_1$ [m]	min.	0.90	1.30

Table A3.01

## Positioning the edge table



- Do not access the cantilever until the bracing has been securely mounted.
- Close the compensation in the internal area immediately after positioning the slab table.

1. Begin with the edge tables when positioning the slab tables.
2. Move the edge table with the Table Lifting Fork.
3. Brace the edge tables.
4. Take into account the striking clearance.
5. Leveling.
6. Compensations for obstructions (see Section A6).

## Positioning the slab tables

### Pre-assembly

- Fix edge strips to the slab tables on the wall side.
- Mount guardrails, e.g. end of the concreting section, edge table (see Section A3).

## Shuttering



### Follow Instructions for Use:

- Table Lifting Forks
- Table Trolley 2 t
- Table Lift PTL (see Section A8)



- Take into account the pivoting direction of the props during the moving procedure.
- The formlining is reinforced at the corners in order to provide more protection.

1. Place, position and brace the edge tables with the Table Lifting Fork or Table Trolley 2 t.
2. After positioning each table, compensation areas are filled with formlining strips and secured with nails.
3. Position additional slab tables until the slab area is shuttered. (Fig. A4.01)

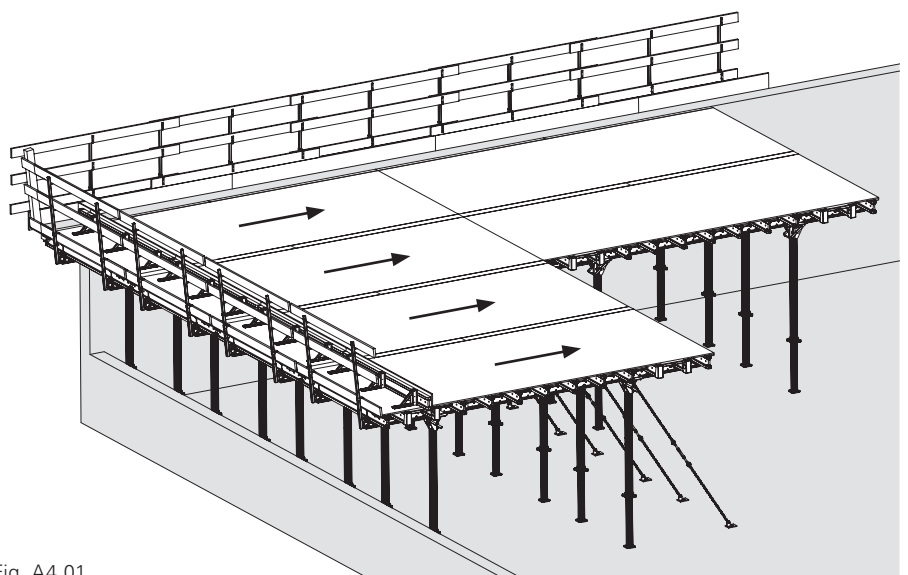


Fig. A4.01

## Bracing the slab tables



**Do not access the cantilever until the bracing has been securely mounted.**



- Use fastening means with suitable tensile force capacity, see Design Tables 2015 – Formwork and Scaffolding.
- Fastening means for the anchor chains, e.g. Anchor Bolt PERI 14/20x130 (25), Item no. 124777.
- Use Push-Pull Props RS with suitable load-bearing capacity, see Design Tables.

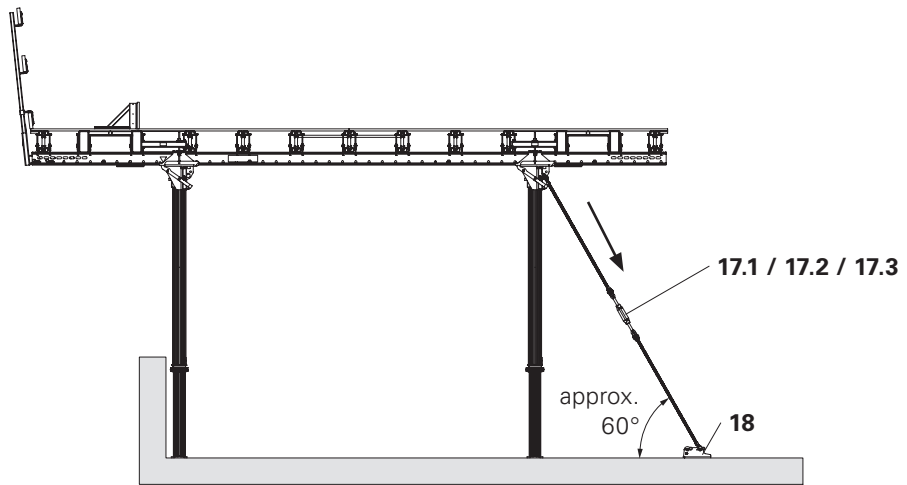


Fig. A4.02

Example: edge table. (Fig. A4.03)

### Version 1

- Anchor Chain 3.0 kN, L = 2.5 m (17.1) with Turnbuckle 3.0 kN, M12 and Base Plate-2 for RS (18).
- (Fig. A4.03a + Fig. A4.03b)

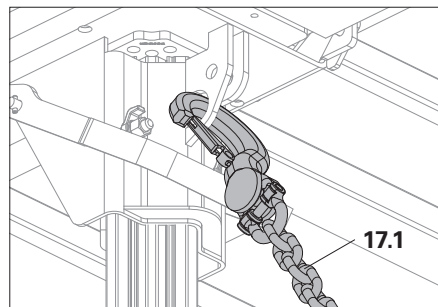


Fig. A4.03a

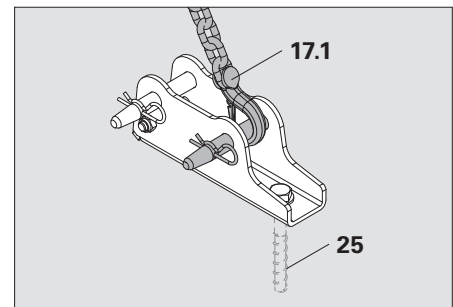


Fig. A4.03b

### Version 2

- Push-Pull Prop RS (17.2), tension- and compression-proof, with Bolt  $\varnothing$  16 x 42, Bolt  $\varnothing$  20 x 140, Cotter Pin 4/1 and Base Plate-2 for RS (18).
- (Fig. A4.04a + Fig. A4.04b)

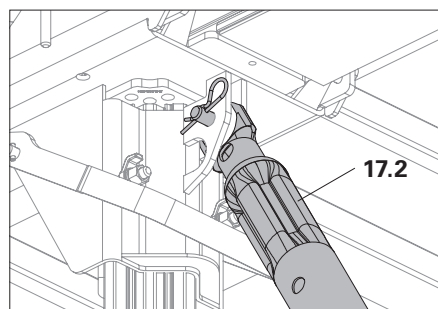


Fig. A4.04a

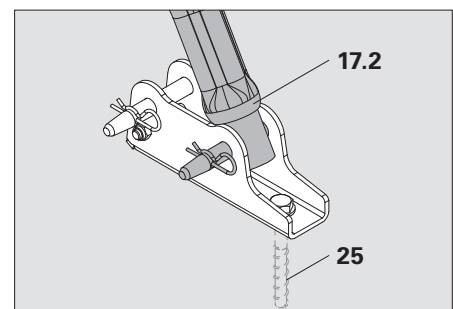


Fig. A4.04b

### Version 3

- Tension Belt (17.3) and Base Plate-2 for RS (18), e.g. Tension Belt STL.B.
- (Fig. A4.05a + Fig. A4.05b)

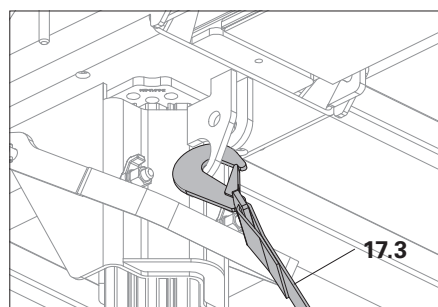


Fig. A4.05a

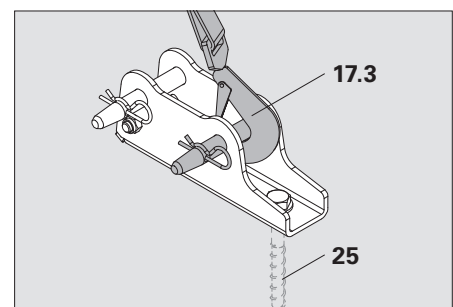


Fig. A4.05b

	Perm. tensile force
Anchor Chains (17.1)	3 kN
Tension Belt (17.3)	10 kN

Table A4.01

## Corner tables

With the components of the VARIODECK system, edge tables for the corner areas can be assembled.

Planning and calculation of corner tables is project-dependent and must be individually verified.

Corner tables must be braced in both directions.

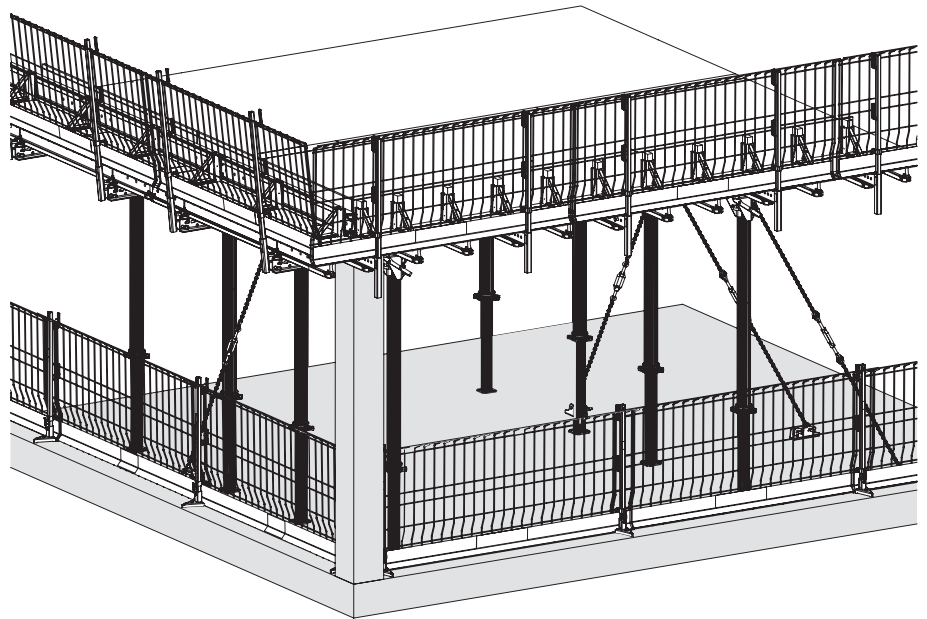


Fig. A4.06

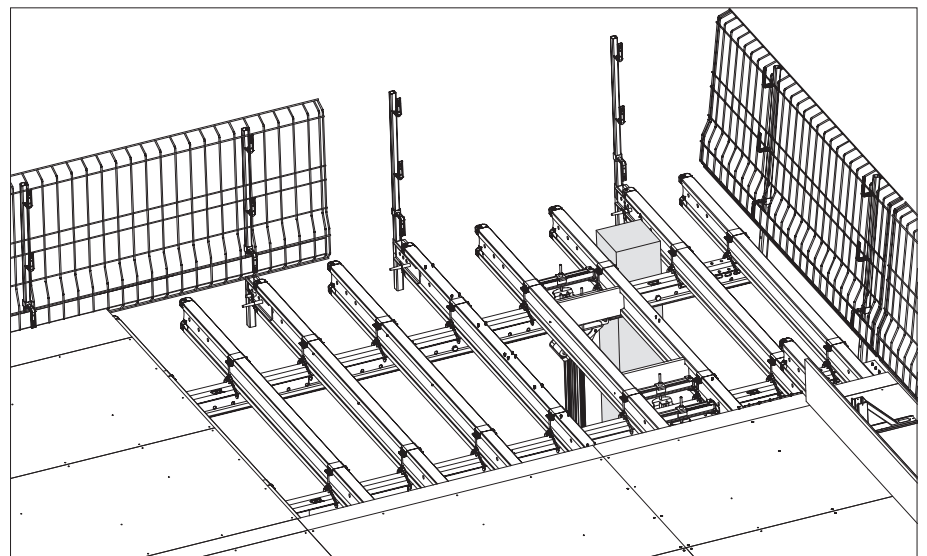


Fig. A4.06a

## Slab Prop PEP

Slab tables can be installed with PEP Slab Props (50).

### Bracing

In order to increase the stability, the slab props are braced, e.g. with PEP Frames PRK (45) or diagonal bracing. The slab tables can also be connected to each other, see Section A6. (Fig. A5.01b)



Room height  $h > 3.80$  m:  
Install bracing in a transverse direction.

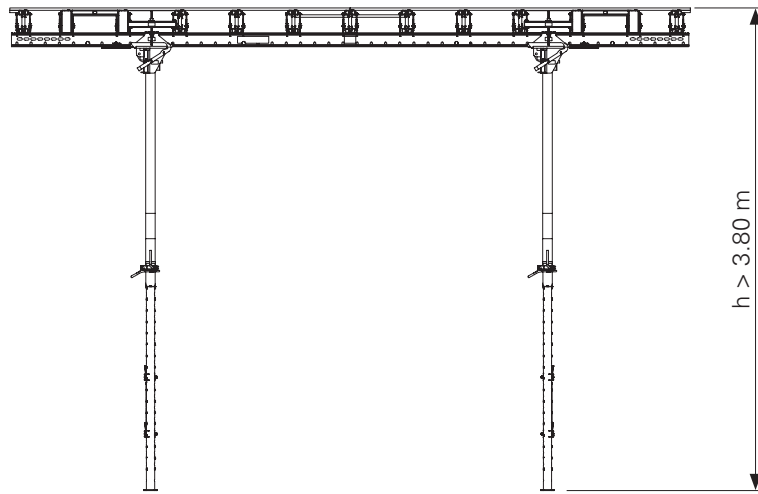


Fig. A5.01a

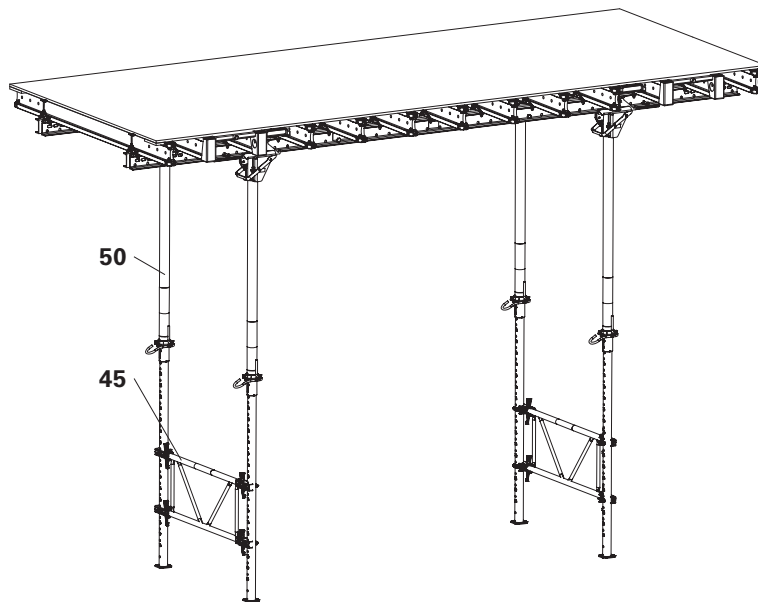


Fig. A5.01b



## MULTIPROP MP 625



Take into consideration the maximum moving weight of the Table Lifting Fork.

### Bracing

In order to increase the stability, the slab table is to be braced by means of Frames MRK.



Room height > 3.80 m:  
Install bracing in a transverse direction.

Room height > 5.00 m:  
Install additional bracing in a longitudinal direction or use special tables with a wider base.

### Assembly

1. Spindle in MULTIPROP MP 625 (11).
2. Install Frame MRK 350 (43) in a longitudinal direction and Frame MRK 150 (42) in a transverse direction, see Instructions for Assembly and Use for the MULTIPROP system. (Fig. A5.02)
3. Lift slab table, e.g. with the Table Lifting Fork 1.75 t / 8 m (19), and spindle out the MULTIPROP MP 625 slab props (11) to the required height. (Fig. A5.03)
4. Mount MULTIPROP MP 625 (11) on the slab table.

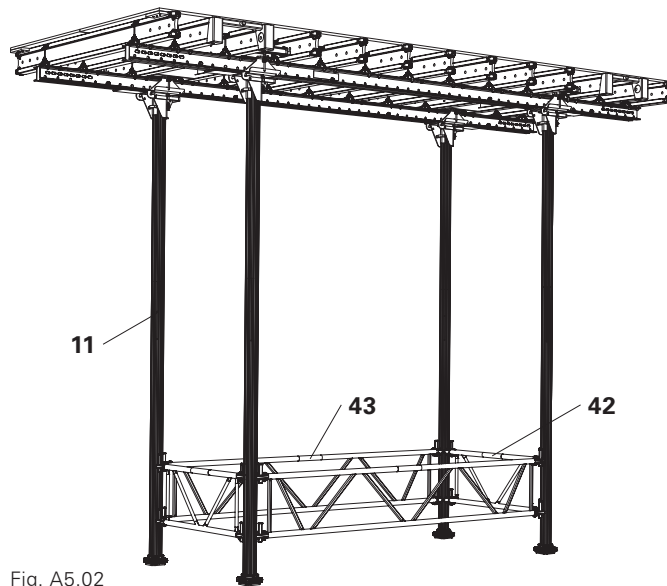


Fig. A5.02

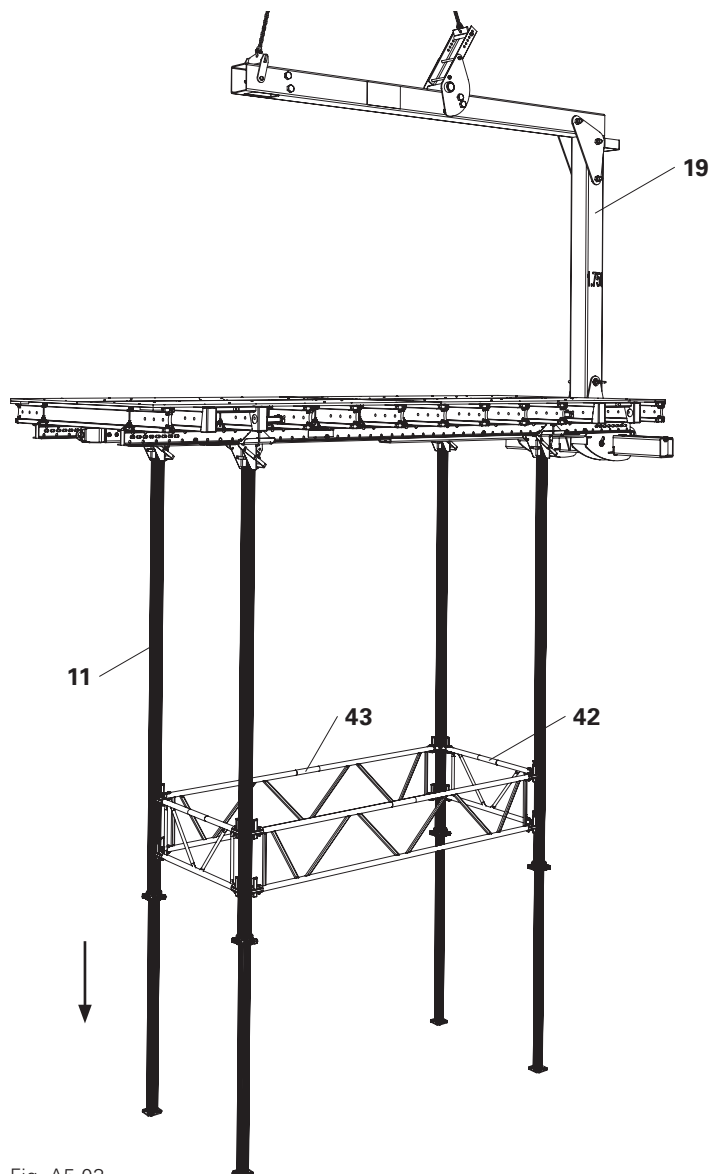


Fig. A5.03

## MULTIPROP MP Towers



- Take into consideration the Instructions for Assembly and Use for the MULTIPROP system.
- Take into consideration the maximum moving weight of the Table Lifting Fork.
- Take into consideration the type test for the MULTIPROP system.

### With Frame MRK

MULTIPROP MP Towers are braced using Frames MRK (42/43).  
(Fig. A5.04)

### As towers

1. Mount MULTIPROP Towers.
2. Position MULTIPROP Tower with slab table on top of the bottom MULTIPROP Tower using the crane.  
(Fig. A5.05a)
3. Connecting the MULTIPROP Towers is carried out from a safe working position.  
(Fig. A5.05b)

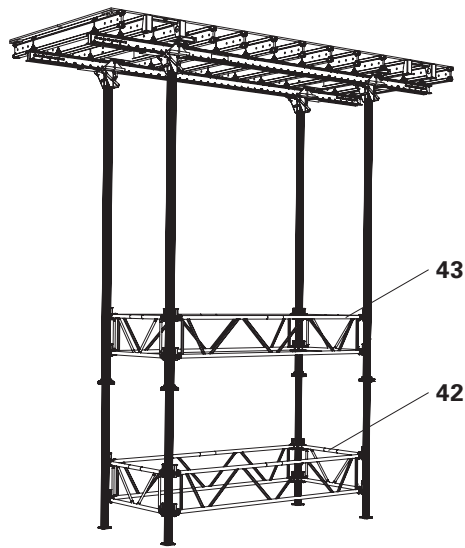


Fig. A5.04

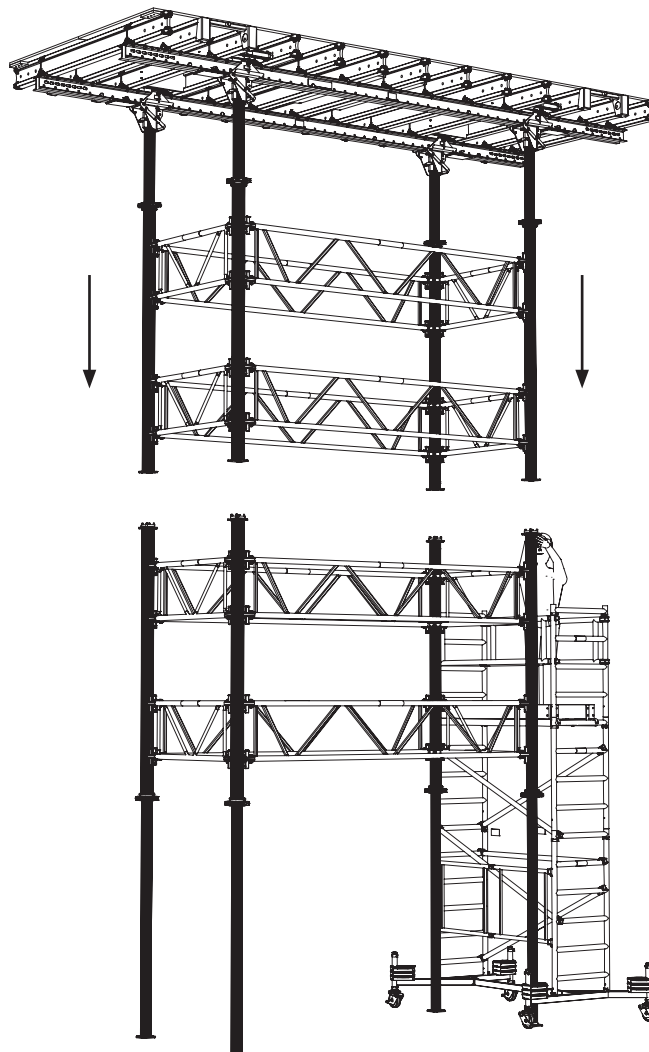


Fig. A5.05a

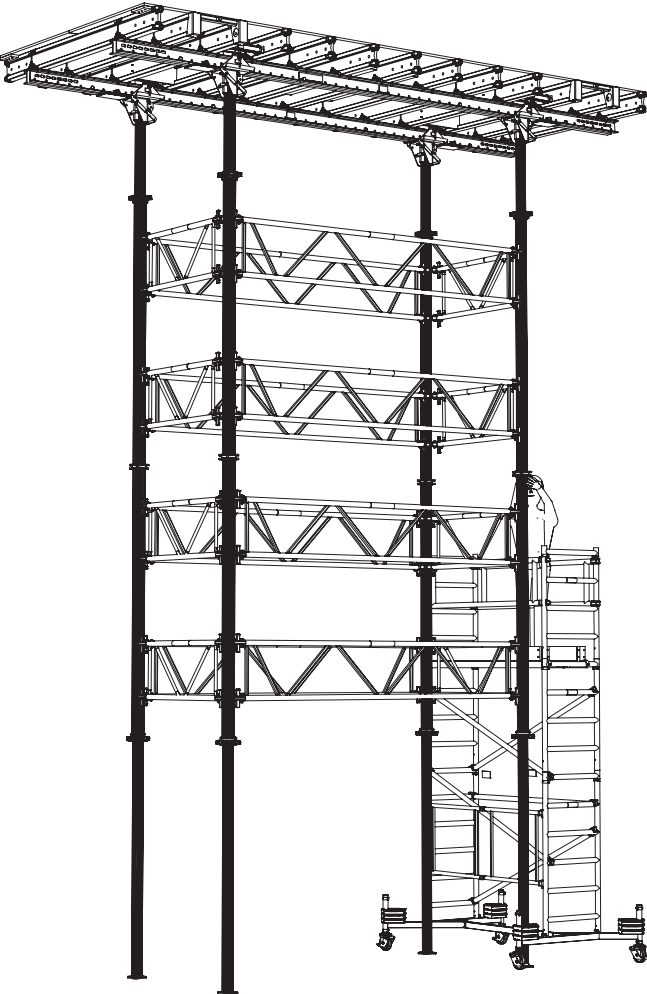


Fig. A5.05b

## PERI UP Flex



The position and direction of the Connectors MP/SRU can vary and must be planned according to project requirements.

(Fig. A5.06c)

### Shoring Tower Plus with additional frame

#### Version 1:

1. Assembly of shoring according to the Instructions for Assembly and Use for the PERI UP Flex Shoring Tower.
2. Position slab table above the shoring using the crane.
3. Using the crane, insert the Steel Waler SRU U120 (6) into the Connectors MP/SRU (60).
4. Bolt Steel Waler SRU 120 onto all Connectors MP/SRU (60) using 1x Fitting Pin  $\varnothing 21 \times 120$  (58) each and secure with Cotter Pin 4/1 (57).

#### Version 2:

The slab table can also be attached to parts of the scaffolding. After this, the parts of the scaffolding must be connected.

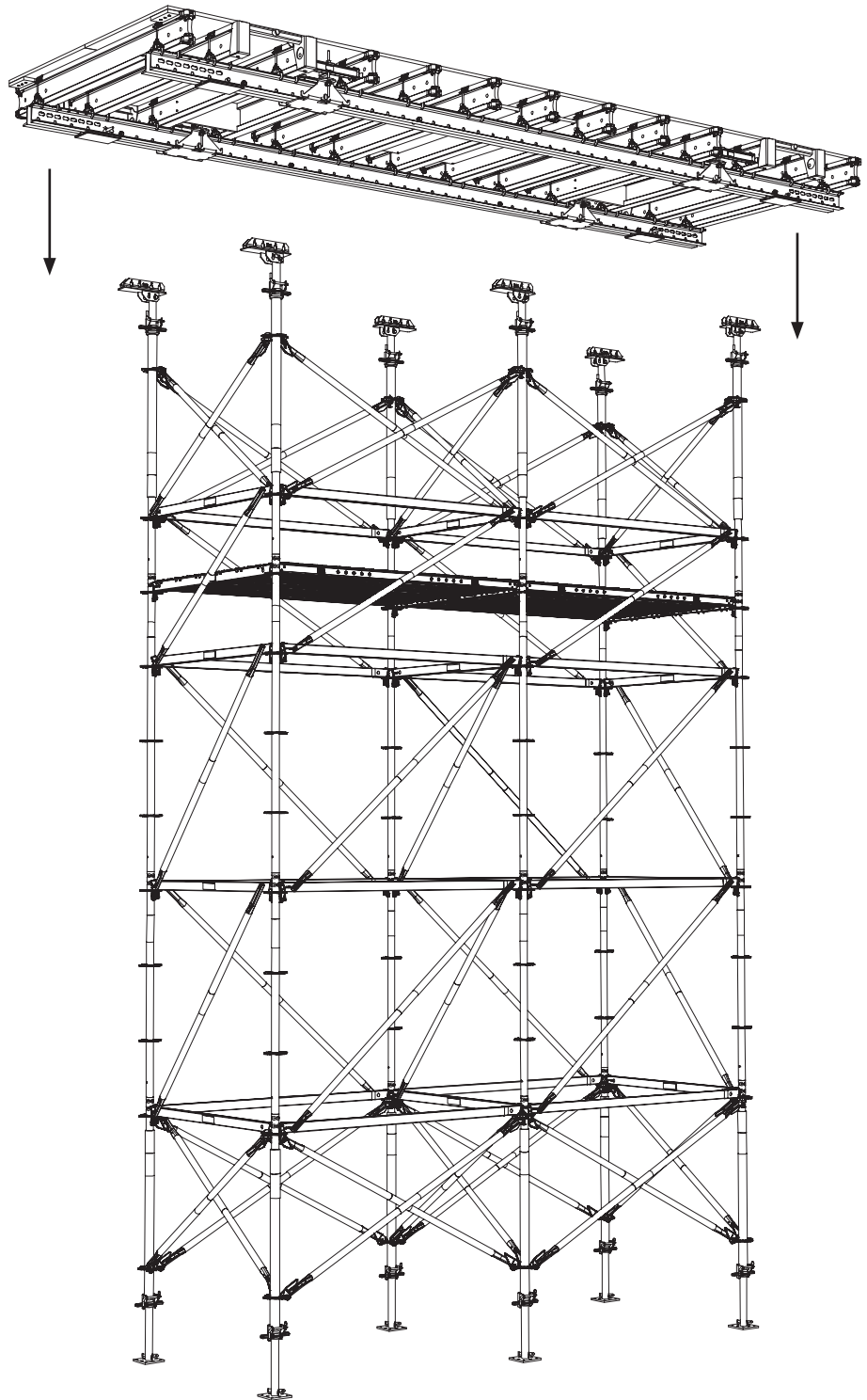


Fig. A5.06a

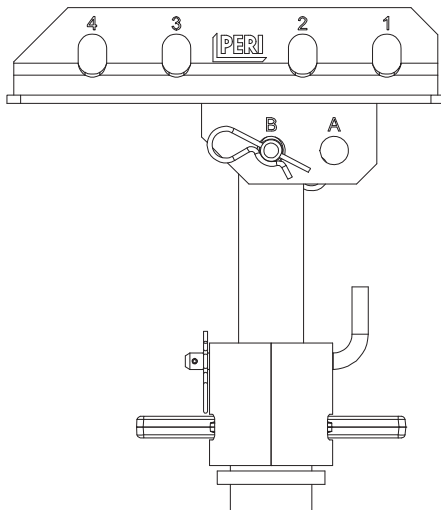


Fig. A5.06c

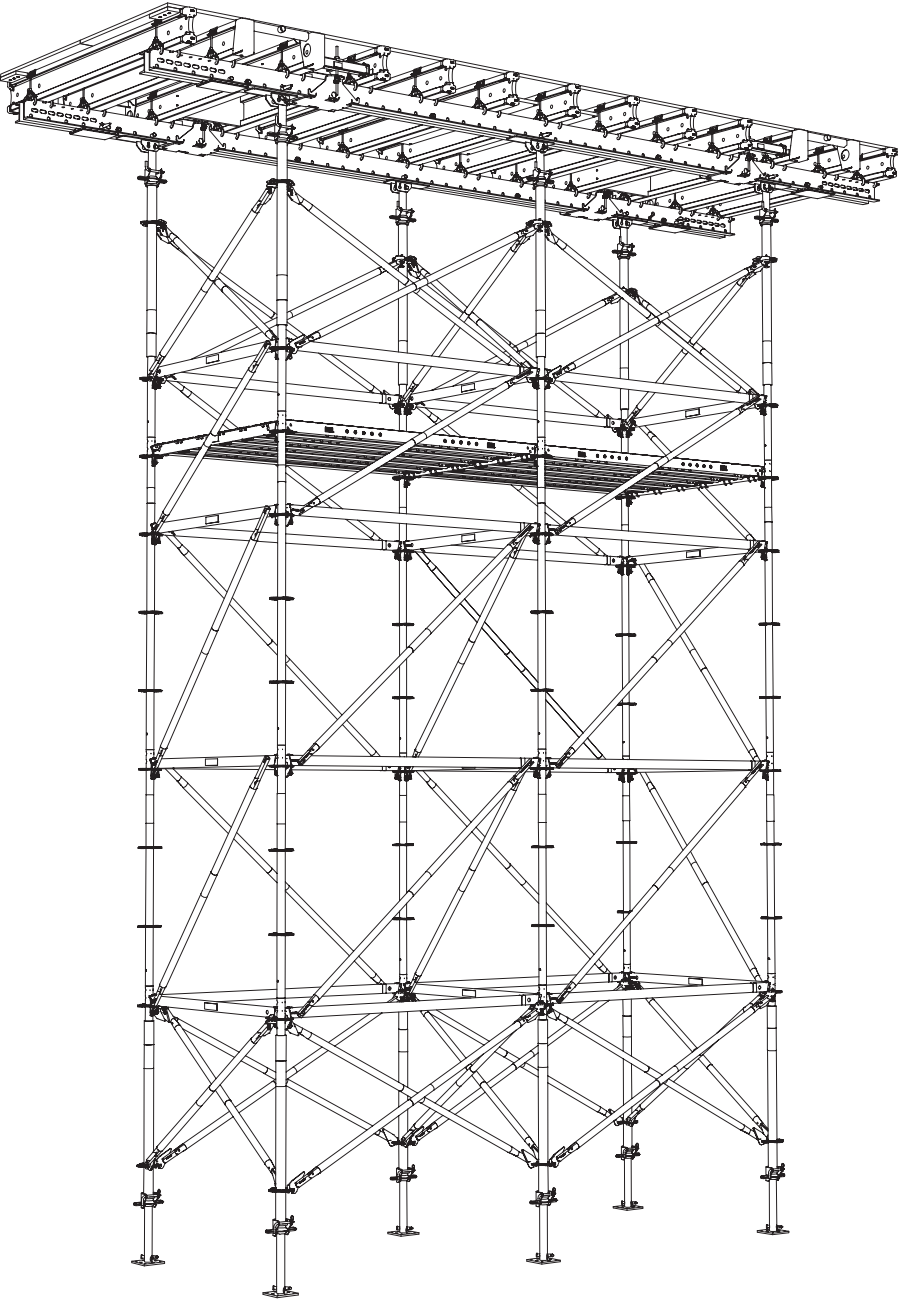


Fig. A5.06b



## Secure filler plates with nails.



- Infills are formed depending on the slab thickness and formlining. (Table A6.01)
- Clamping direction of the formlining is to be taken into account.
- Secure cross-heads on infill with nails.
- For increased prop loads, see Section Tables.

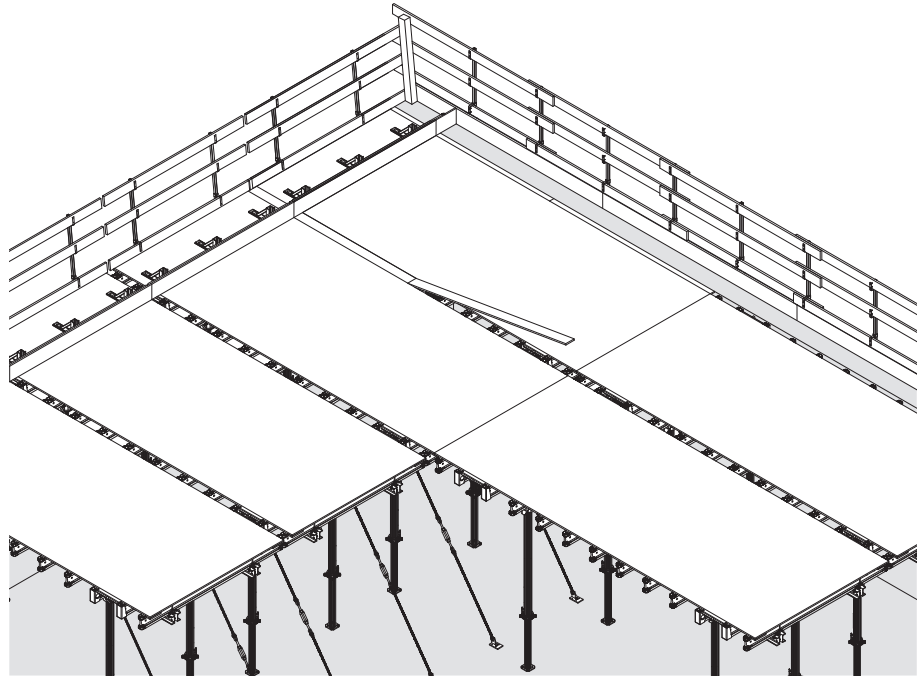


Fig. A6.01

## Longitudinal infill L

Additional props inserted: cantilever compensation  $\leq 10$  cm. (Fig. A6.02)

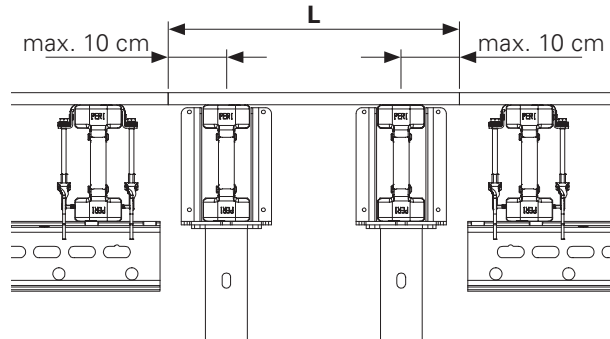


Fig. A6.02

Slab thickness [m]	Longitudinal infill L [m]		
	FinPly 19 mm	Birch 19 mm	Birch / Finply 21 mm
0.20	0.56	0.59	0.63
0.25	0.52	0.55	0.59
0.30	0.49	0.52	0.56
0.35	0.47	0.49	0.53
0.40	0.45	0.47	0.51
0.45	0.43	0.45	0.49
0.50	0.42	0.44	0.47

Deflection max.  $l/300$

Table A6.01

## Transverse infill B

Transverse infill B: 7.5 cm support required on each side.  
(Fig. A6.03 + Fig. A6.04)

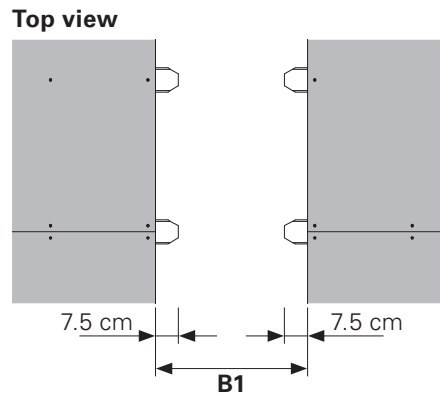


Fig. A6.03

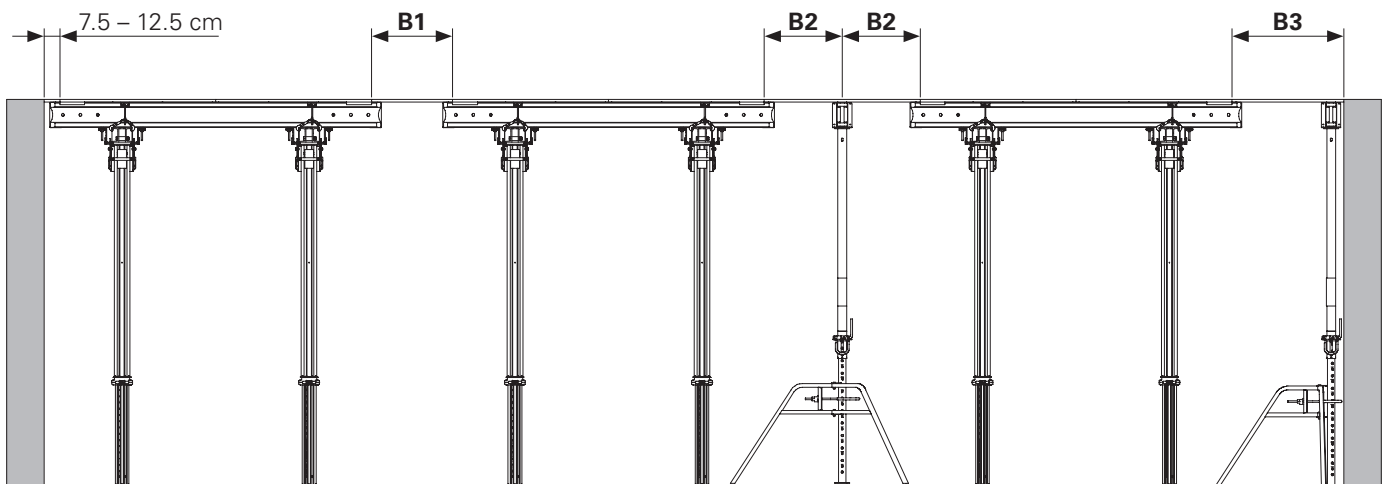


Fig. A6.04

Slab thickness [m]	Transverse infill B [m]						
	FinPly 19 mm	B1		B2		B3	
		Birch 19 mm	Birch / Finply 21 mm	FinPly 19 mm	Birch / Finply 21 mm	FinPly 19 mm	Birch / Finply 21 mm
0.20	0.45	0.51	0.57	0.63	0.63	0.58	0.63
0.25	0.36	0.41	0.52	0.63	0.63	0.54	0.59
0.30	0.25	0.35	0.44	0.63	0.63	0.51	0.56
0.35	0.25	0.25	0.38	0.63	0.63	0.49	0.53
0.40	0.25	0.25	0.32	0.63	0.63	0.46	0.51
0.45	0.25	0.25	0.25	0.60	0.63	0.45	0.49
0.50	0.25	0.25	0.25	0.58	0.63	0.43	0.47

Where applicable, deflection greater than  $l/300$

Table A6.02

## Plastic Stopend Angle

For slab thicknesses up to 40 cm in connection with slab tables.

Permissible width of influence [m] for plastic Stopend Angle (44) depending on the slab thickness, beam depth and sub-structure, see Table A7.01.

Nailing takes place with 8 nails  $\varnothing$  3.1 mm (6 at the front and 2 at the back).

Sub-structure		nailed on			
		FinPly 9 mm	FinPly 15 mm	FinPly 21 mm	Timber Girder
x <sub>1</sub> [m]	0.00				
	0.20	2.33	3.27	3.27	3.27
	0.25	1.21	1.97	2.74	2.09
	0.30	0.72	1.17	1.62	1.25
	0.33	0.54	0.88	1.21	0.94
	0.35	0.45	0.73	1.01	0.78
	0.40	0.30	0.48	0.67	0.52

Table A7.01

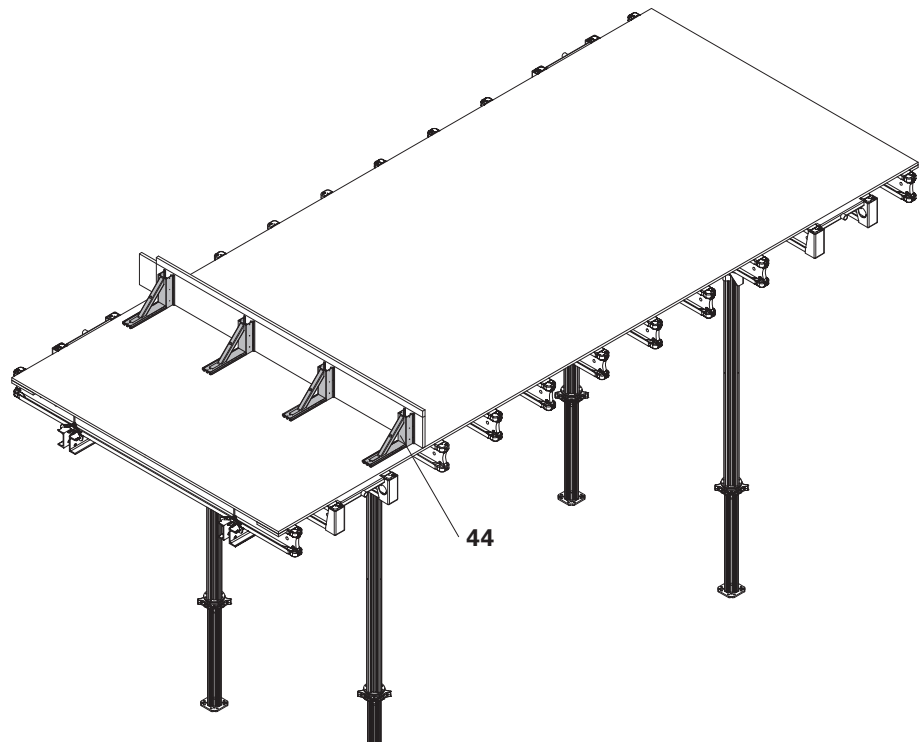


Fig. A7.01





- Only strike tables once the concrete has sufficiently hardened and the person in charge has given the go-ahead for striking to take place!
- Do not stand on the slab table during striking and lowering operations.



- Begin with the edge tables.
- For larger spans, if necessary lower those slab tables positioned in the middle first before the outer slab tables are struck.
- Remove infills beforehand or secure against falling out.

Top view with edge tables

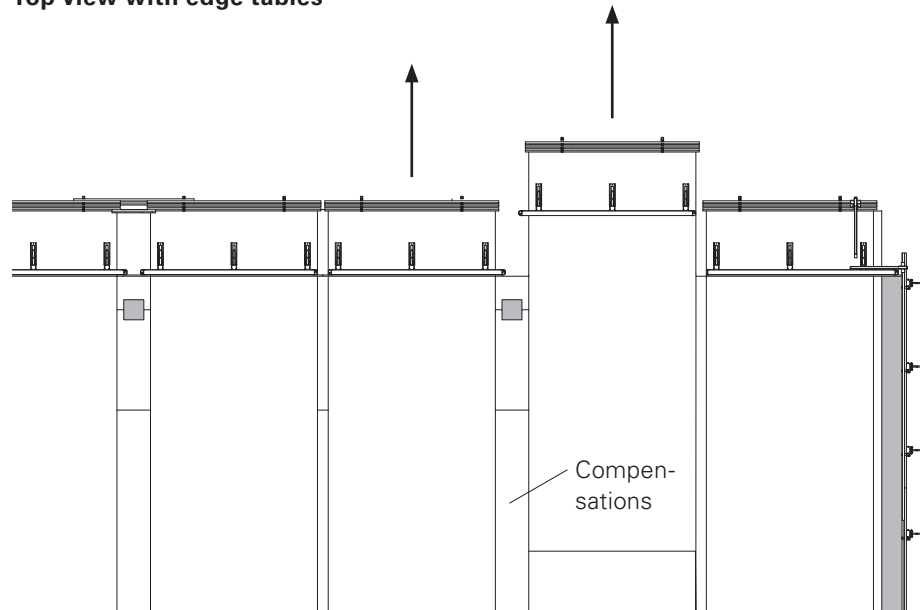


Fig. A8.01

## Striking procedure

1. Lower slab props about 5 cm.
2. Remove infills. (Fig. A8.02)
3. Position the Table Trolley under the slab table (1) in the centre of gravity.
4. Raise the Table Trolley until the slab table (1) is resting on it. (Fig. A8.03)
5. Insert MULTIPROP MP by max. 15 cm. (Fig. A8.04)
6. Moving slab tables horizontally or vertically, see Section A9.

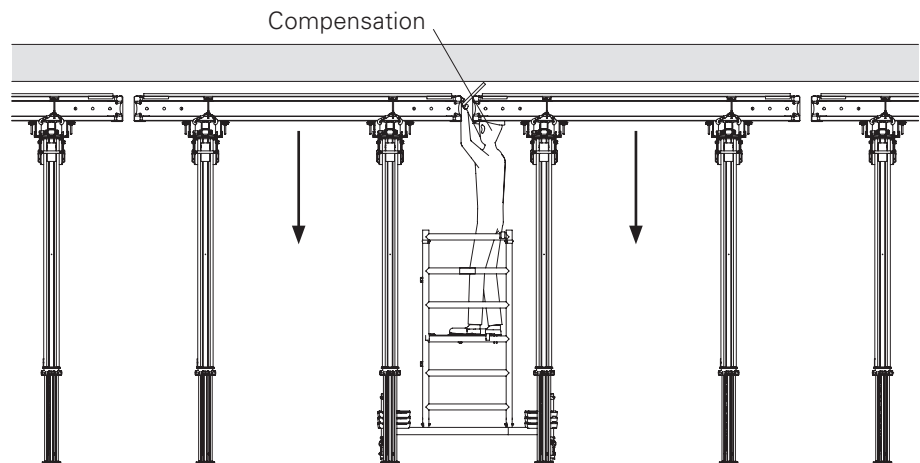


Fig. A8.02

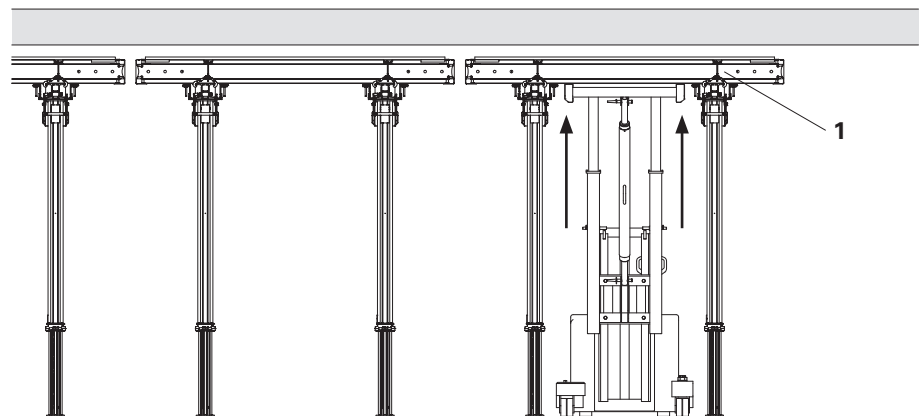


Fig. A8.03

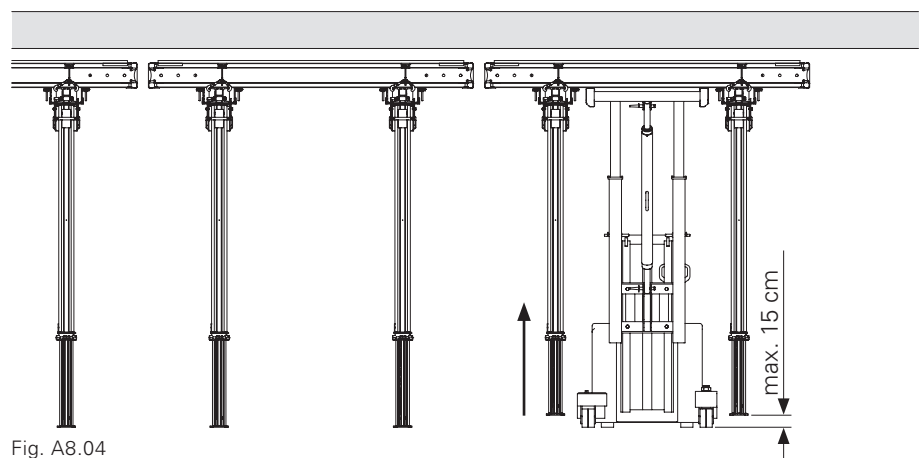


Fig. A8.04

## Lowering



**Check stability.**



The lowering procedure must take place gradually.

### Lowering

1. Turn the adjusting nut (11.1) of the MULTIPROP MP (11) and retract the inner tube.
2. Repeat the procedure for all MULTIPROP MP (11).



In order to make the lowering procedure easier, the slab table can be held in position by the Table Trolley. The MULTIPROP MP can be lowered without being subject to any load.

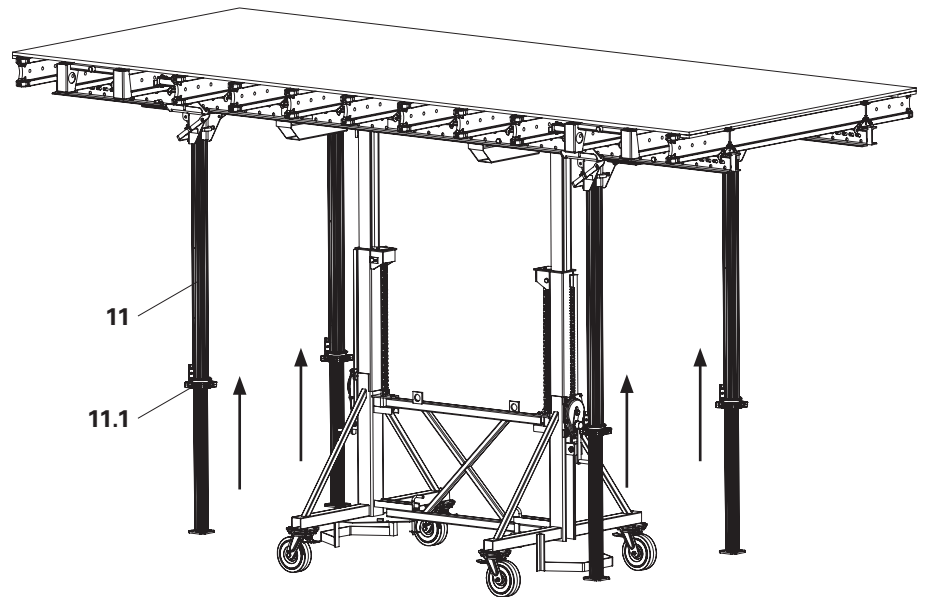


Fig. A9.01

## Table Trolley 2 t



### Follow Instructions for Use for the Table Trolley 2 t.

Slab tables can be horizontally moved and re-positioned with the Table Trolley 2 t. For example, the Table Trolley 2 t, L = 200, Item no. 028710 or L = 170, Item no. 028715 are used.

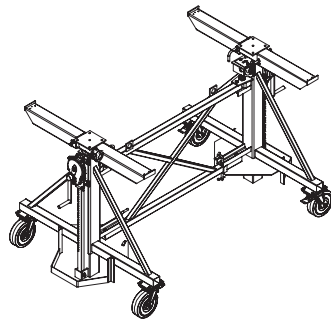


Fig. A9.02

### Height of the Table Trolley 2 t:

min. 1.45 m – max. 3.16 m

(Fig. A9.02a)

#### + extension 100:

min. 2.45 m – max. 4.16 m

(Fig. A9.02b)

#### + height extension 60:

min. 3.05 m – max. 4.76 m

(Fig. A9.02c)

### Alternatively:

PERI Table Lift PTL.

Moving takes place

- from cycle to cycle in one level,
- at the edge of the building for the subsequent vertical moving procedure.

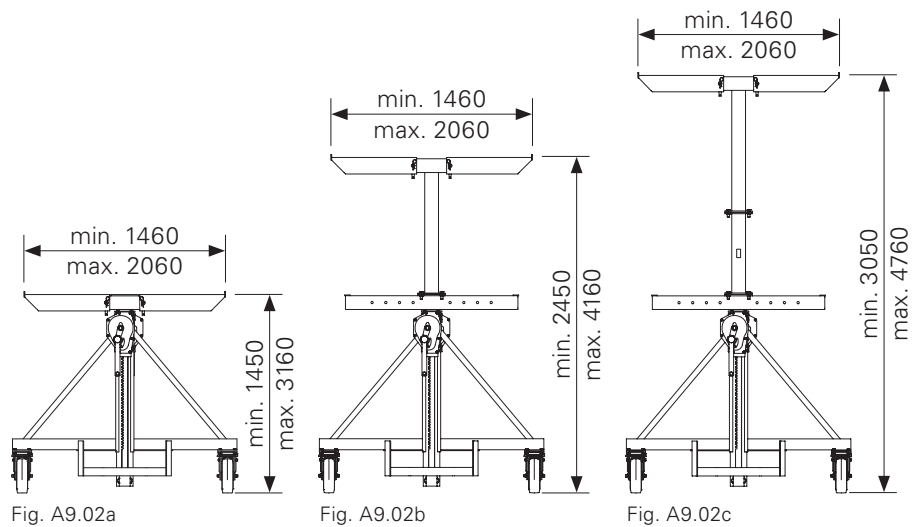


Fig. A9.02a

Fig. A9.02b

Fig. A9.02c

## Moving

1. Lower the slab table.
2. Lift and move the slab table by means of prepared moving equipment. (Fig. A9.03)

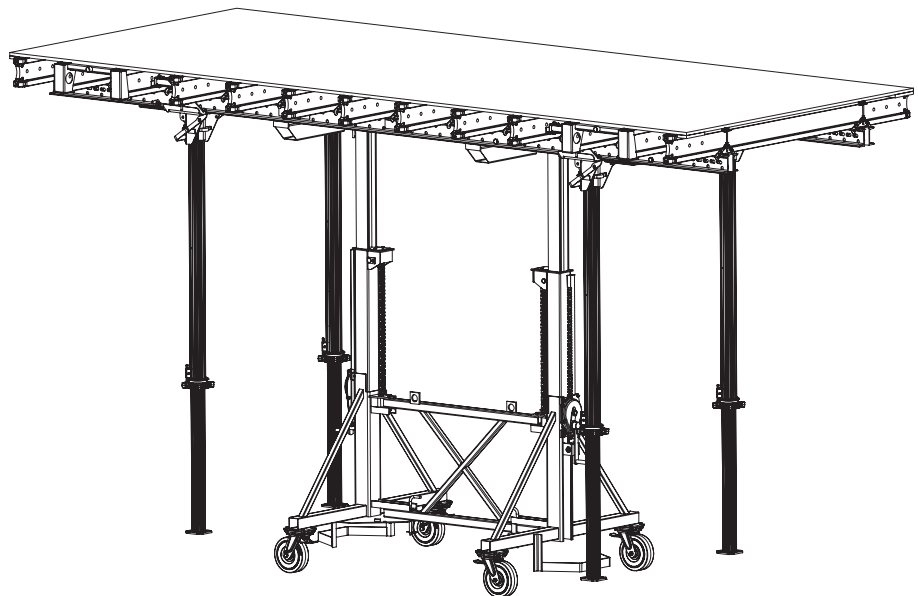


Fig. A9.03

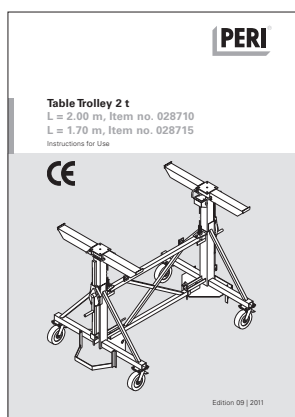


Fig. A9.02d

## PERI Table Lift PTL



- Follow Instructions for Use for the Table Lift PTL.
- Move slab tables in a lowered position. Max. moving height 3.50 m, except for MULTIPROP MP 625 = 4.45 m. (Fig. A9.07)
- Move slab tables slowly (max. 2 km/h) and take into account the braking distance.
- Only the operator is permitted to stand under suspended loads.
- Do not press the slab table against the slab during striking.
- The maximum permissible load of 1180 kg must not be exceeded.

The following applies when moving:

- Adjust the PERI Table Lift PTL (56) to the required height: level 1, 2, 3 or 4. (Fig. A9.08a – d)
- Position the PERI Table Lift PTL (56) under the slab table and support the slab table.
- Lift the slab table (1) at the centre of gravity. (Fig. A9.04a + Fig. A9.06a)

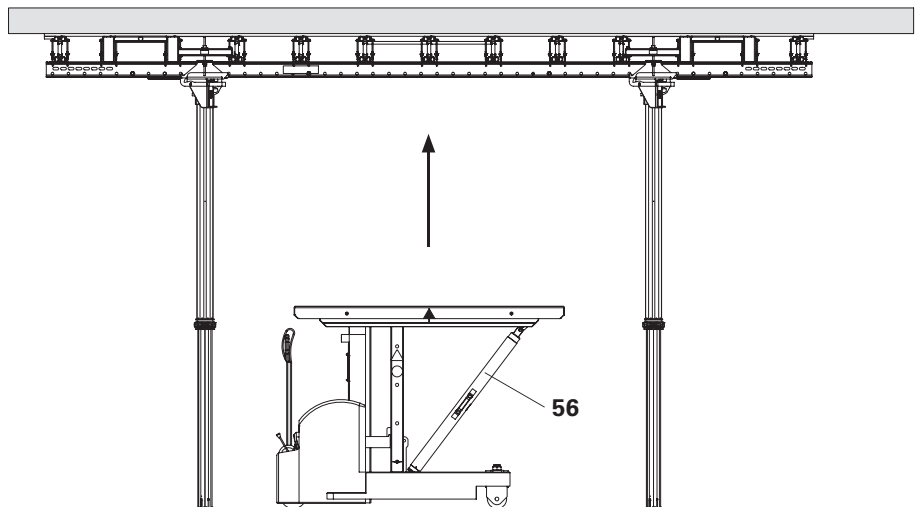


Fig. A9.04

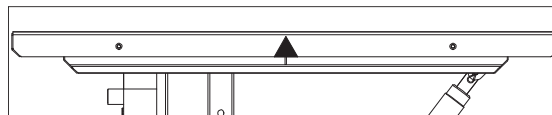


Fig. A9.04a

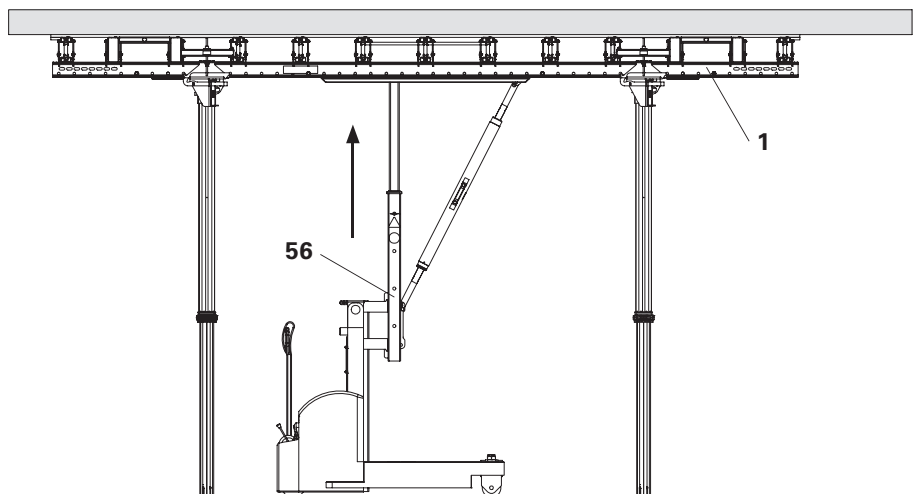


Fig. A9.05



Fig. A9.04b



Personal protective equipment must be worn during the moving procedure.

## Moving

1. Determine and clearly mark the centre of gravity of the slab table (1).
2. Lift the deck table (1) with its centre of gravity on the centre of gravity marking of the PERI Table Lift PTL (56).
3. Lower the slab table (1) with the Table Lift PTL (56).
4. Move the slab table (1).

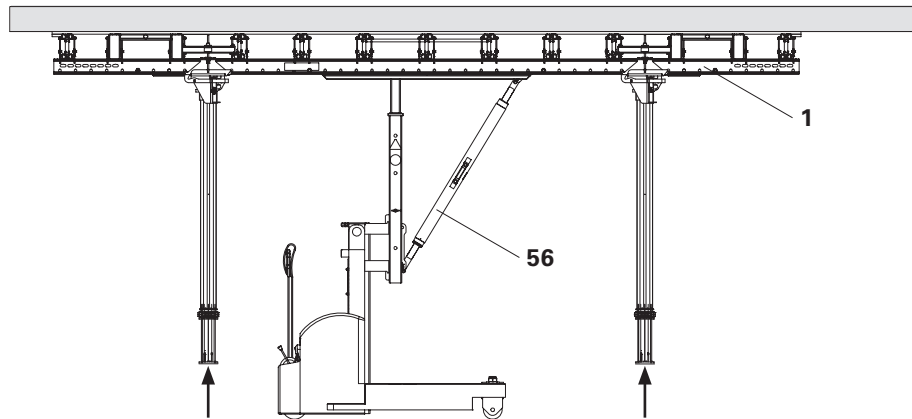


Fig. A9.06

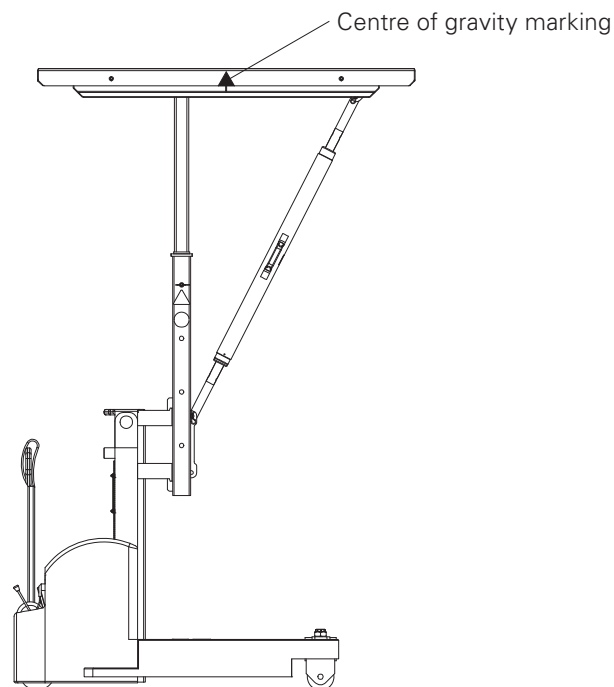


Fig. A9.06a

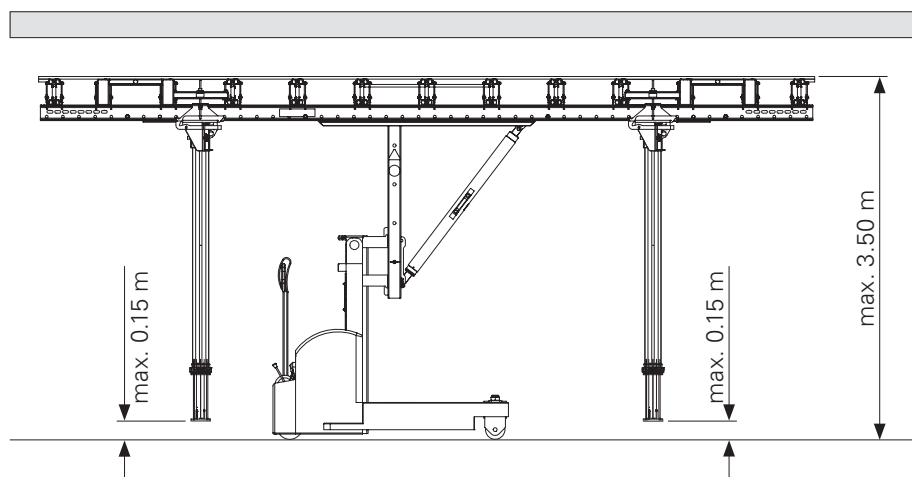


Fig. A9.07

# A9 Horizontal moving procedure

## Height adjustment



The height of the slab table and its attachment parts must be taken into account in addition to the max. extension height.



The max. load-bearing capacity is 1180 kg for all heights.



When adjusting the height, personal protective equipment must be worn.

**Level 1** Basic height = 1.57 m

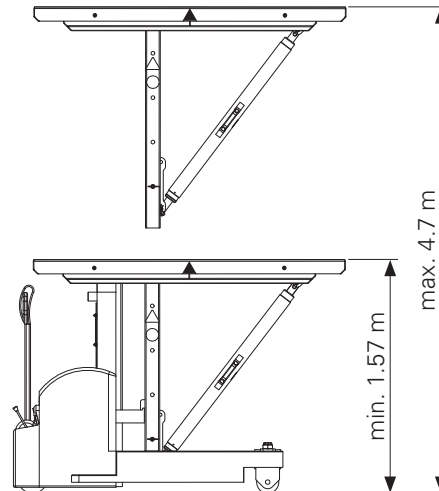


Fig. A9.08a

**Level 2** Basic height = 1.87 m

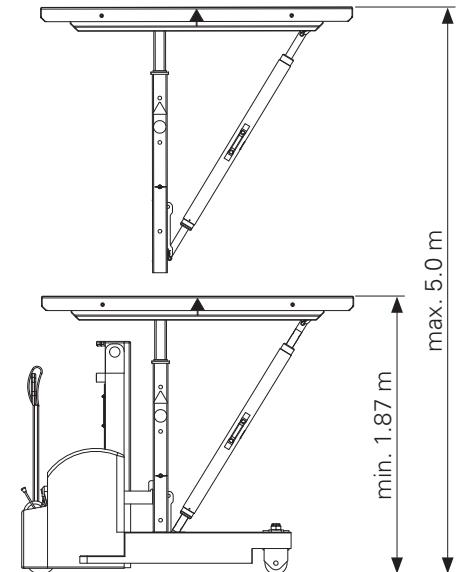


Fig. A9.08b

**Level 3** Basic height = 2.17 m

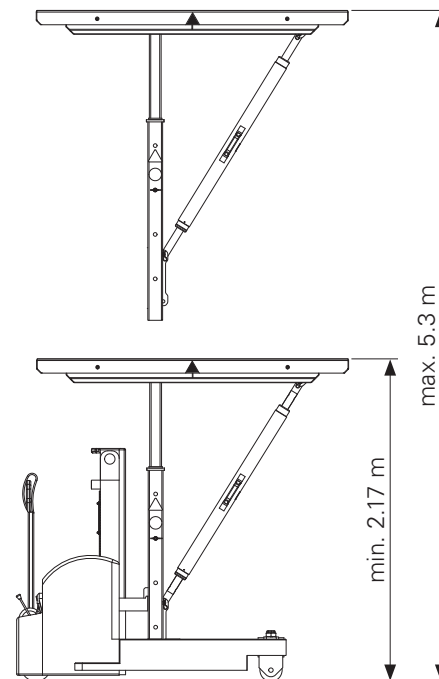


Fig. A9.08c

**Level 4** Basic height = 2.47 m

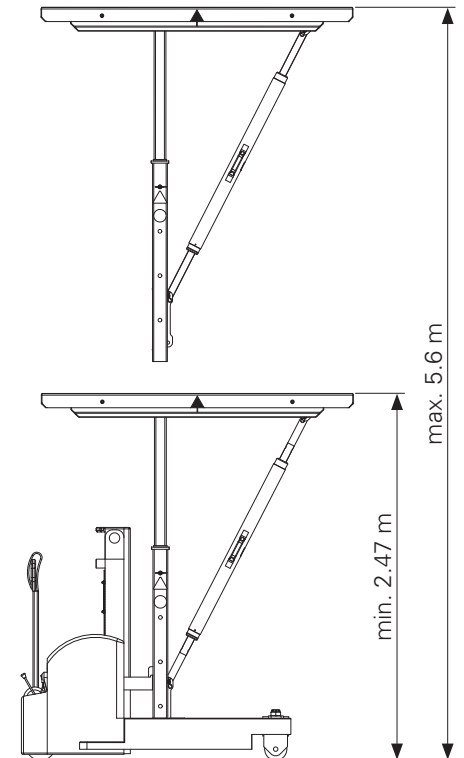


Fig. A9.08d

## Trolley with Winch



- Follow the Instructions for Use for the Trolley and Winch.
- Moving unit can tip over.
- Take into account the lifting capacity.

### Moving

1. Position two Trolley and Winch units per slab table in the centre of the narrow frame sides.
2. Frame with Support MP – support with Trolley.
3. Uniformly raise the slab table with the winches.
4. Move the slab table.

### Requirements for moving in longitudinal direction

MULTIPROP MP ≥ Frame MRK 120

Total weight Slab table	Longitudinal direction of travel Table height up to:	Transverse direction of travel Table height up to:
0 – 300 kg	600 cm	600 cm
301 – 400 kg	700 cm	650 cm
401 – 500 kg	800 cm	700 cm
501 – 600 kg	800 cm	700 cm
601 – 800 kg	800 cm	650 cm
801 – 1000 kg	750 cm	600 cm
1001 – 1200 kg	700 cm	550 cm
1201 – 1400 kg	650 cm	550 cm
1401 – 1600 kg	650 cm	500 cm
1601 – 2000 kg	600 cm	500 cm

Table A9.01

### MULTIPROP MP

Permissible Frames MRK for slab tables

Aluminium frame	Perm. lifting capacity [kg]
MRK 296	350
MRK 266 – 225	440
MRK 201.5	560

Table A9.02

Steel frame	Perm. lifting capacity [kg]
MRK 150	880
MRK 137.5	920
MRK 120	1000

Table A9.03



Fig. A9.10

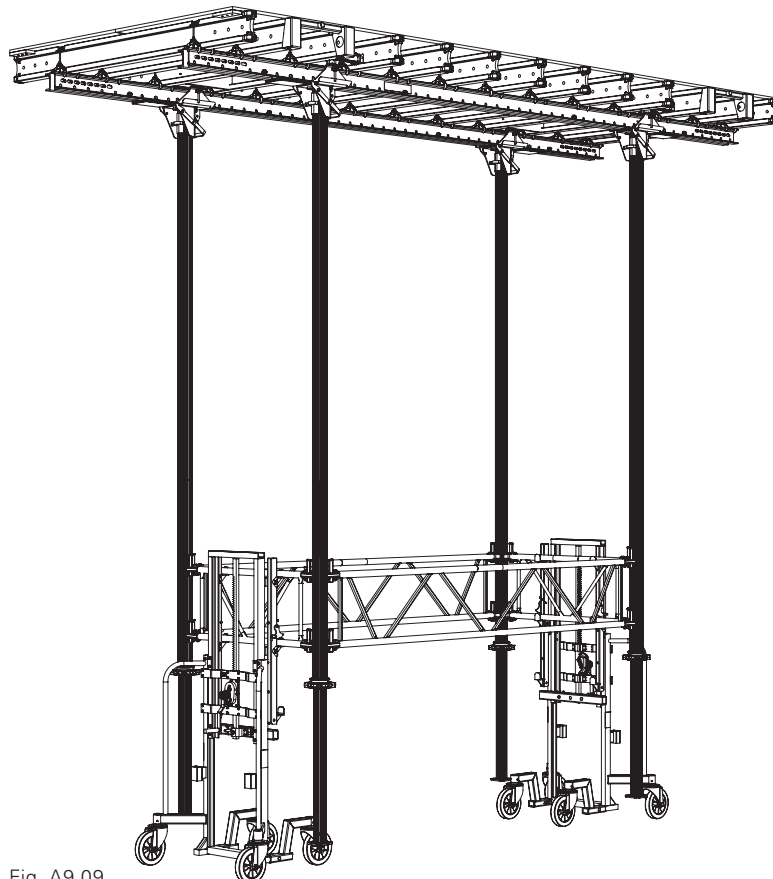


Fig. A9.09



## By crane



- Carrying personnel is forbidden.
- Follow Instructions for Use for the Table Lifting Forks

Using the Table Lifting Fork (19), slab tables are moved from storey to storey.

### Pivoting the slab props

The props are folded in a longitudinal direction in order to go over parapets or go under downstand beams. The pivoting direction has already been determined when mounting the slab prop in the Table Head Middle Part VD (3) (see Section A2).

### Pivoting procedure

1. Position the Table Lifting Fork (19) under the table.
2. Release retaining clip (4.3).  
(Fig. A10.01)
3. Remove slab table with the Table Lifting Fork (19).  
(Fig. A10.02)
4. Lift slab props over the parapet or guardrails by hand. Guardrails remain mounted on the building and on the slab table.  
(Fig. A10.02)
5. Pivot back slab props using an additional swing of the prop.  
→ Retaining clip (4.3) engages.  
(Fig. A10.03)



The retaining clip (4.3) must be engaged. If necessary, engage by hand before positioning.

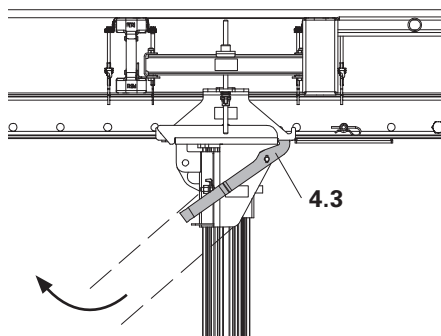


Fig. A10.01

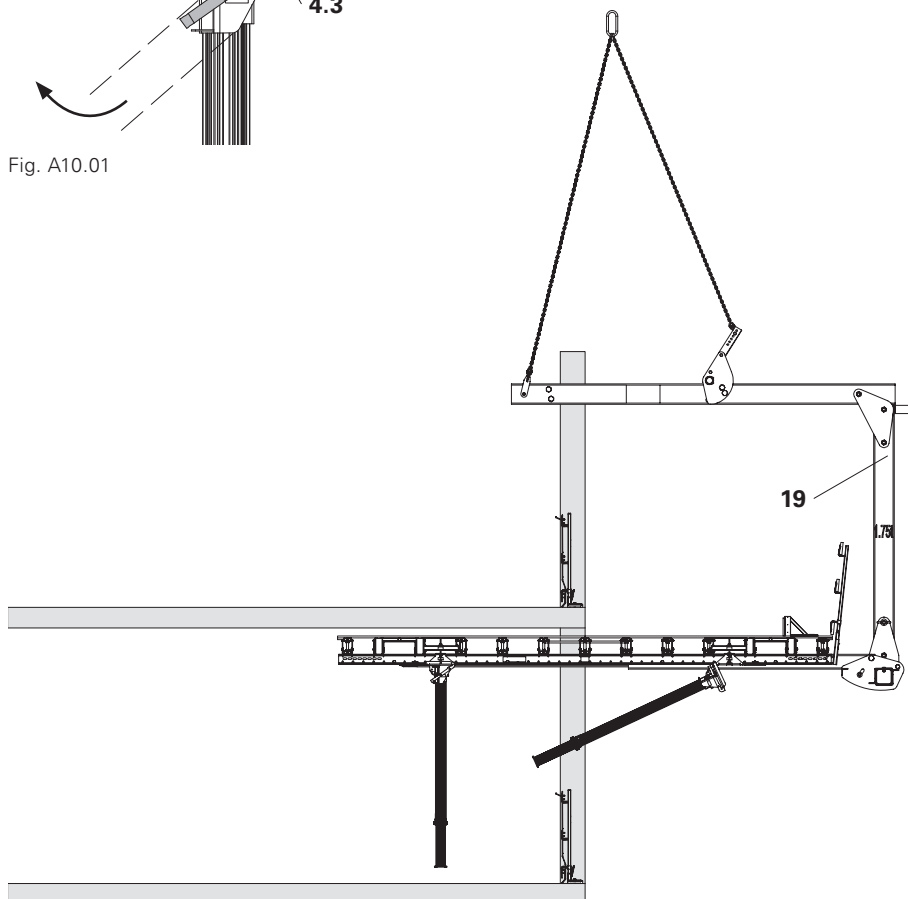


Fig. A10.02

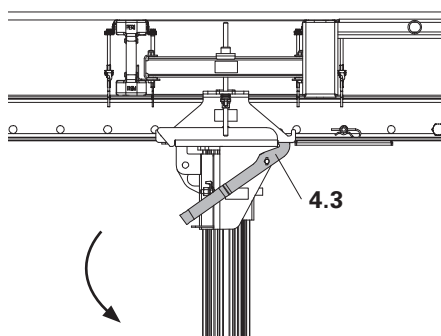


Fig. A10.03

## Moving

1. Loosen the bracing of the slab table.
2. Lower the slab table approx. 20 cm and lift with the Table Lifting Fork (19). (Fig. A10.04)
3. Fold up the MULTIPROP MP (11a) and lift out the slab table using the Table Lifting Fork. (Fig. A10.05)
4. Fold out the MULTIPROP MP (11a).
5. Fold up the MULTIPROP MP (11b) and lift out slab table further. (Fig. A10.06)
6. Fold out the MULTIPROP MP (11b), set down the slab table and brace. (Fig. A10.07)

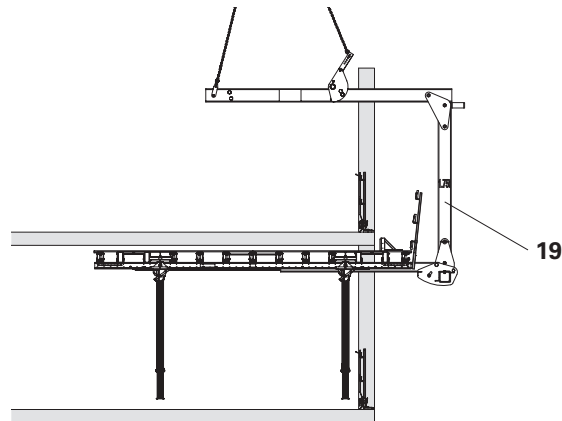


Fig. A10.04

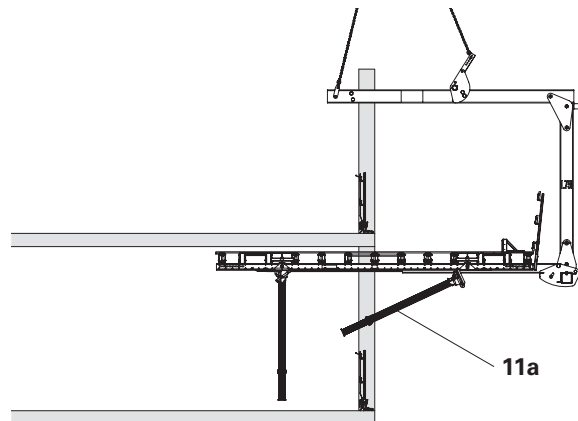


Fig. A10.05

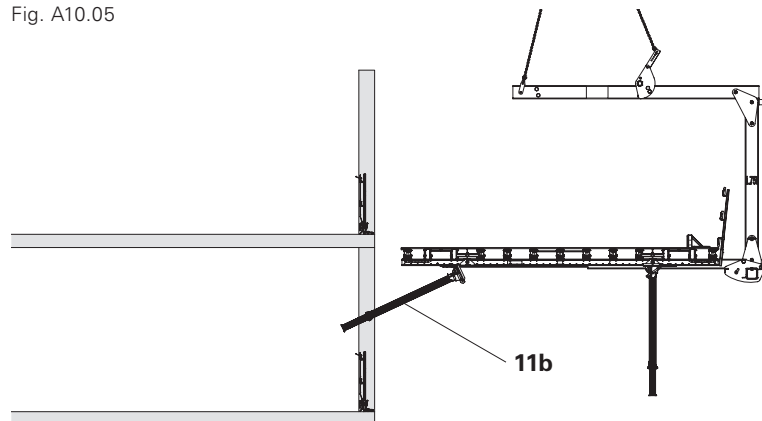


Fig. A10.06

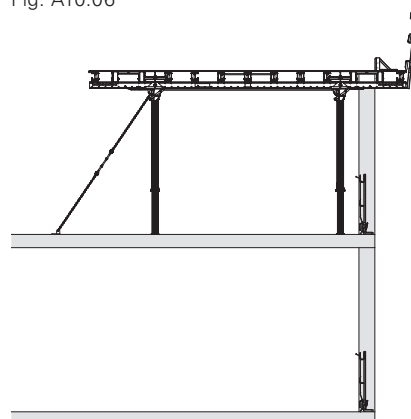


Fig. A10.07

## Material Platform RCS MP 375 and RSC MP 550



- Carrying personnel is forbidden.
- Observe the Instructions for Assembly and Use for the Material Platform RCS MP.

### Material Platform RCS

- Shoring according to DIN EN 12812
- For use in Load Class 3 (200 kg/m<sup>2</sup>)
- Perm. live load 75 kg/m<sup>2</sup> (for payload 27 kN including Table Lift PTL)

### Technical data

- RCS MP 375
  - Reach: approx. 3.75 m
  - Platform area: 9.45 m<sup>2</sup>
  - Max. load: 3400 kg
- RCS MP 550
  - Reach: approx. 5.50 m
  - Platform area: 13.86 m<sup>2</sup>
  - Max. load: 3740 kg

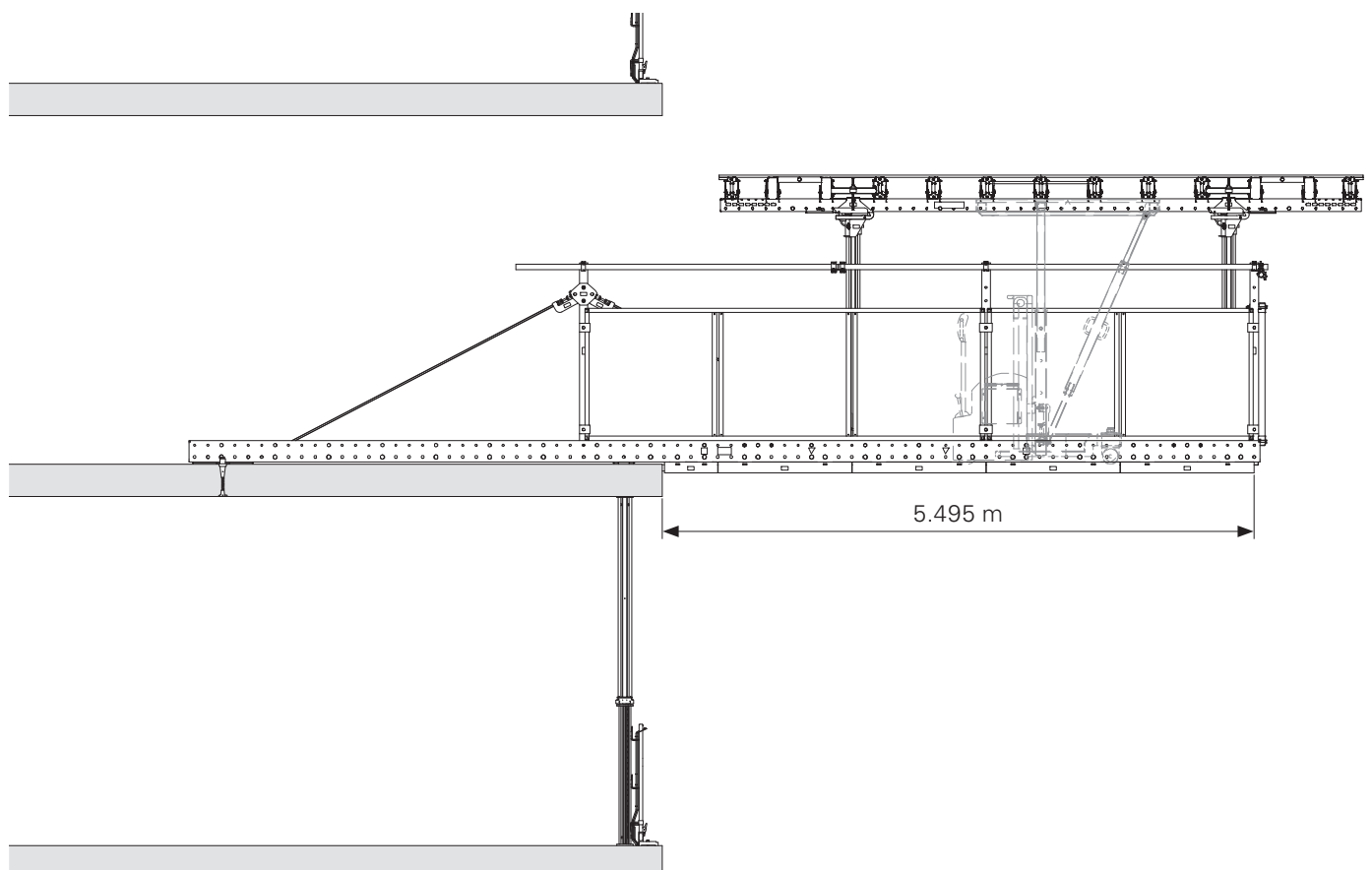


Fig. A10.08

## Self-climbing landing platform



Carrying personnel is forbidden.



The self-climbing landing platform must be planned according to project specifications.

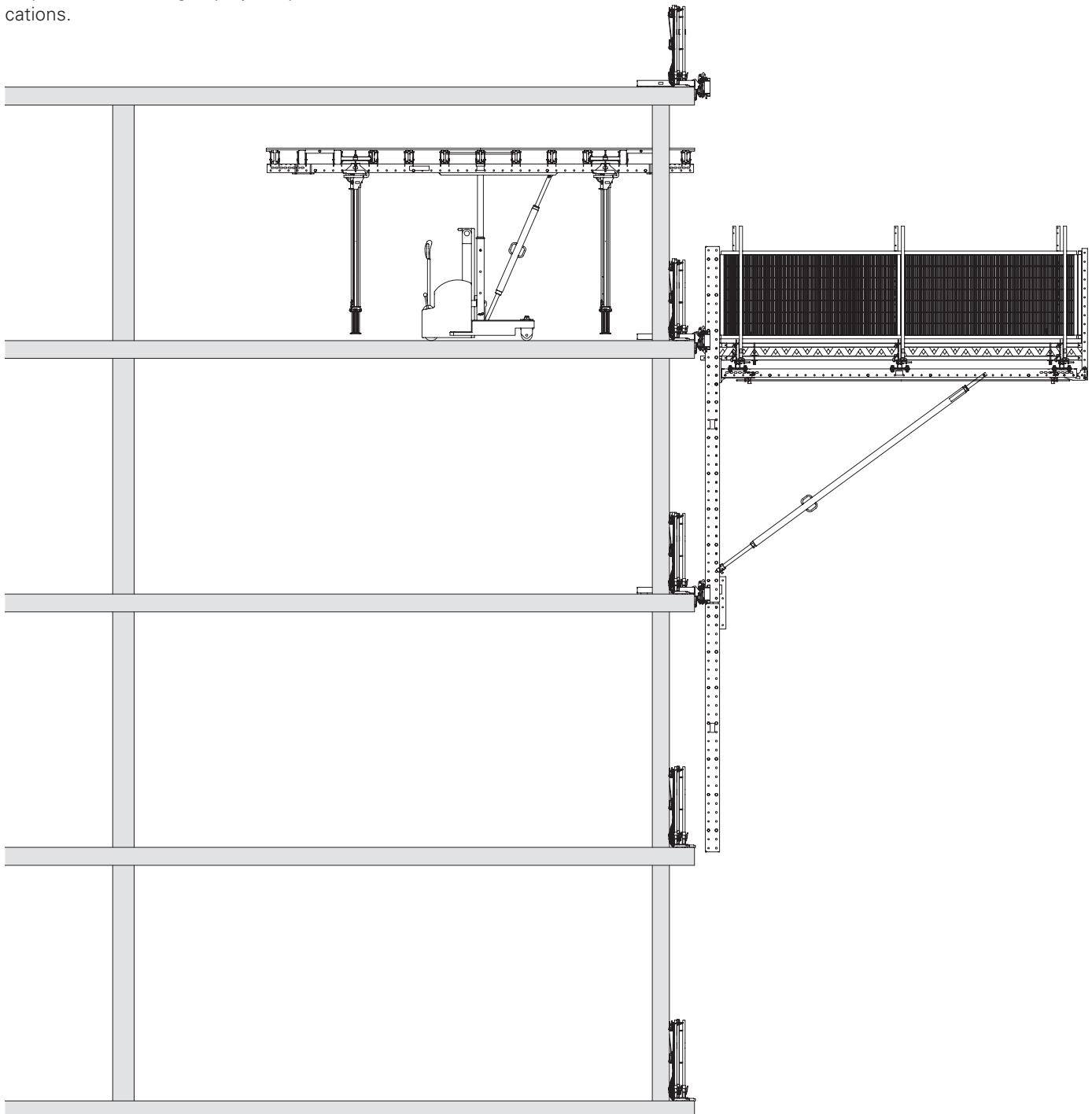


Fig. A10.09

## Girder combinations

### Version 1

Main beam: 2x Girder VT 20K  
 Cross beam: Girder VT 20K  
 (Fig. B1.01)

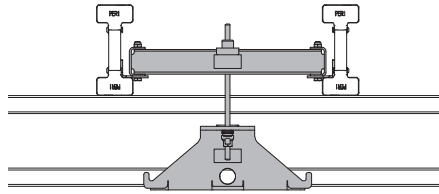
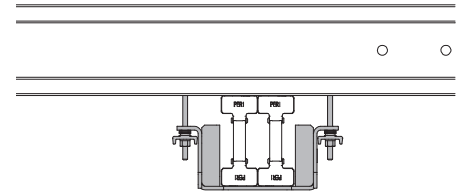


Fig. B1.01



### Version 2

Main beam: 2x Girder GT 24  
 Cross beam: Girder GT 24  
 (Fig. B1.02)

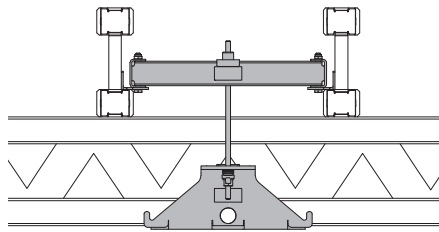
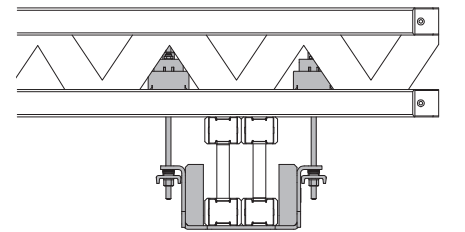


Fig. B1.02



### Version 3

Main beam: 2x Girder GT 24  
 Cross beam: Girder VT 20K  
 (Fig. B1.03)

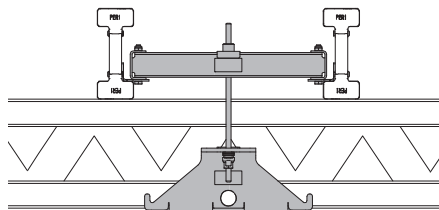
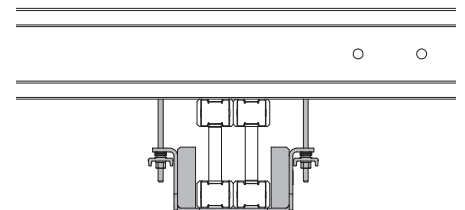


Fig. B1.03



### Version 4

Main beam: Steel Waler SRU U120  
 Cross beam: Girder VT 20K  
 (Fig. B1.04)

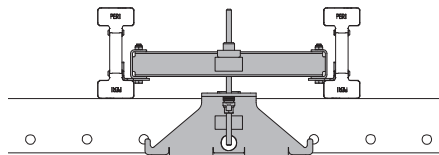
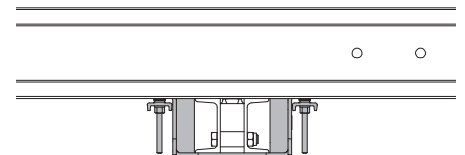


Fig. B1.04



### Version 5

Main beam: Steel Waler SRU U120  
 Cross beam: Girder GT 24  
 (Fig. B1.05)

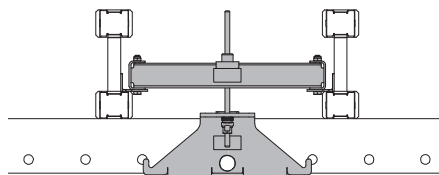
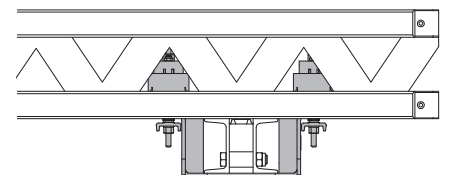


Fig. B1.05



## Table Head Middle Part VD



Take into consideration Design Tables 2015 – Formwork and Shoring.



The illustrations are examples featuring the following girder combinations: Main beam: Steel Waler SRU U120 (6). Cross beam: Girder VT 20K (5).

The number of Girders VT 20K and the spacing of the Table Head Middle Parts VD (3) depends on the planning of the construction project.

### Assembly

1. On a sufficiently large and flat assembly area, mount stopping boards for both Steel Walers SRU U120 (6) and the spacing battens for the Girder VT 20K (5) according to the assembly plans. (Fig. B1.06)
2. Position 4x Table Head Middle Part VD (3) and align exactly with the stopping boards. (Fig. B1.07a)
3. Align 4x Support Plate VD (9) exactly with the stopping boards with the higher edge towards the Table Head Middle Part VD (3). (Fig. B1.08a)
4. Position both Steel Walers SRU U120 (6) on the Table Head Middle Part VD (3) and align exactly with the stopping boards. (Fig. B1.09)
5. Mount Support Plates VD (9) in the fourth hole of the Steel Waler SRU U120 (6) using 1x Fitting Pin  $\varnothing$  21 x 120 (48) in each case, and secure with Cotter Pins 4/1 (47). (Fig. B1.09a)



The cut out in the longitudinal hole of the Steel Waler SRU U120 (6) must point to the concrete side, i.e. upwards.

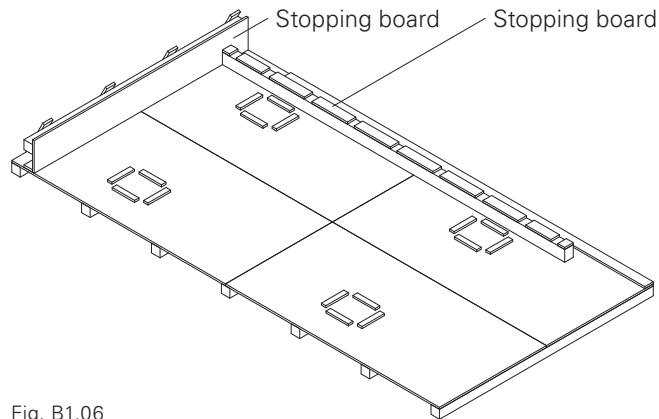


Fig. B1.06

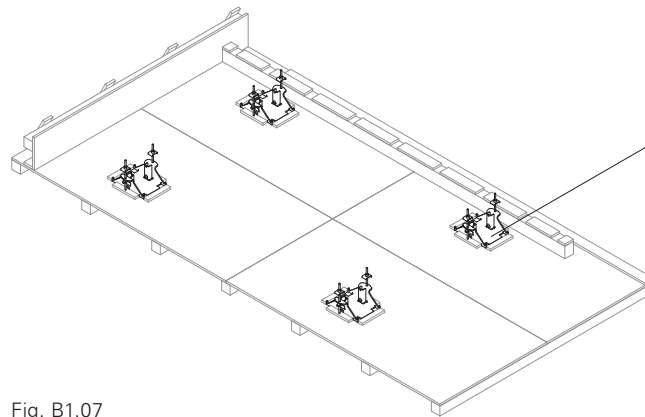


Fig. B1.07

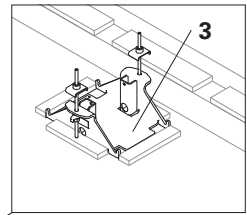


Fig. B1.07a

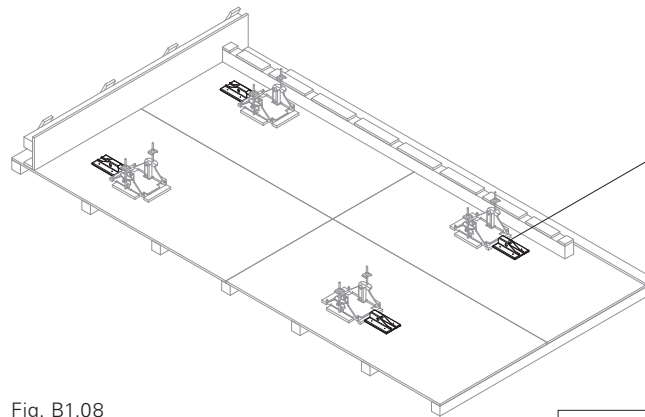


Fig. B1.08

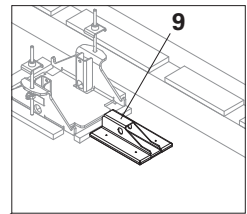


Fig. B1.08a

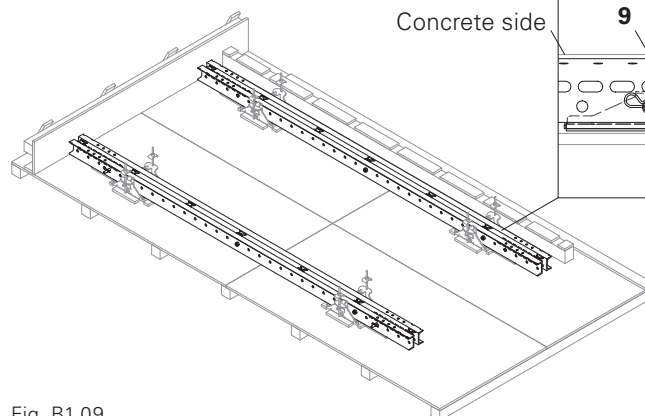


Fig. B1.09

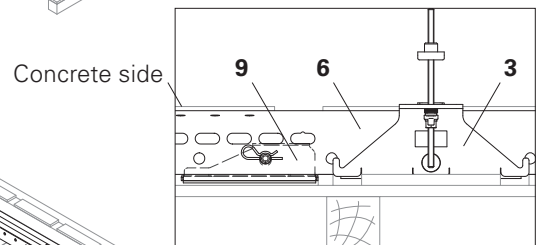


Fig. B1.09a

## Table Head Upper Part VD



- The spacing of the two Girders VT 20K (5a) on the Table Head Upper Part VD (2) to the threaded rod is 25 cm in each case. (Fig. B1.10a)
- The spacing of additional Girders VT 20K (5b) depends on project requirements. (Take into consideration the PERI Design Tables 2015 – Formwork and Shoring)
- 2x Table Head Upper Part VD (2) are required per Table Head Middle Part VD (3).
- The spacing between the girder web and the side part is max. 2 mm. (Fig. B1.11)



The top end of the threaded rod must not protrude over the cross beam otherwise the formlining cannot be mounted. (Fig. B1.12)

### Assembly

1. Position Girders VT 20K (5a/5b) symmetrically and orthogonally on both Steel Walers SRU U120 (6), and align with the spacing battens. (Fig. B1.10)
2. Loosen and remove mini nut (3.1) and the plate spring (3.3) from the Table Head Middle Part VD (3).
3. Remove the threaded rod with clamping shoe (3.2) from the hole.
4. Position the first Table Head Upper Part VD (2a) between two Girders VT 20K (5a) and above the first hole of the Table Head Middle Part VD (3).
5. Insert threaded rod with clamping shoe (3.2) into the hole of the Table Head Middle Part VD (3).
6. Attach plate spring (3.3) and mini nut (3.1) and tighten securely with 50 Nm. (Fig. B1.13)
7. Mount second Table Head Upper Head VD (2b) in the second hole of the Table Head Middle Part VD (3). (Fig. B1.14)
8. Repeat Steps 2 to 7 on the remaining Table Head Middle Parts VD (3).

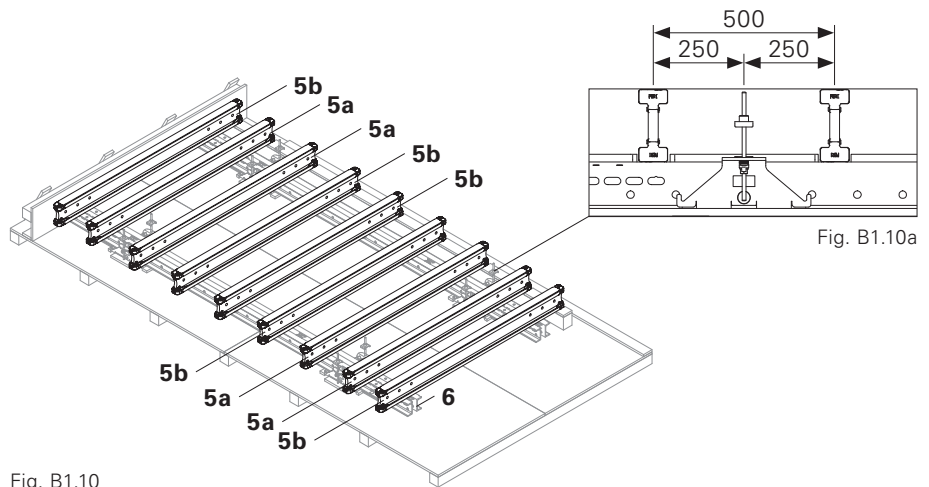


Fig. B1.10

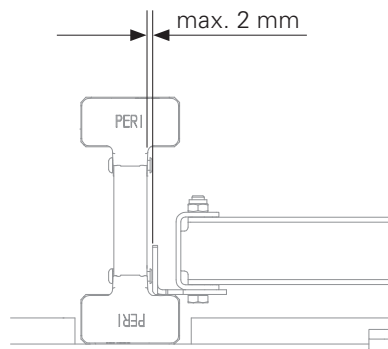


Fig. B1.11

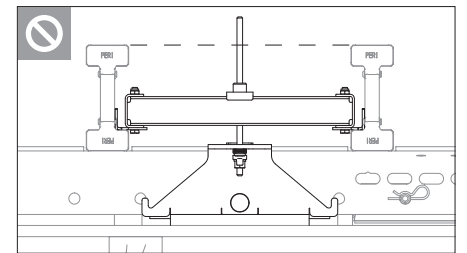


Fig. B1.12

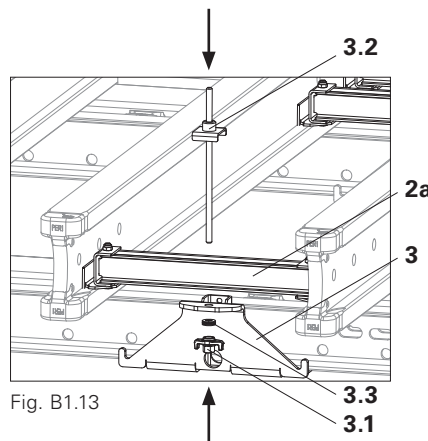


Fig. B1.13

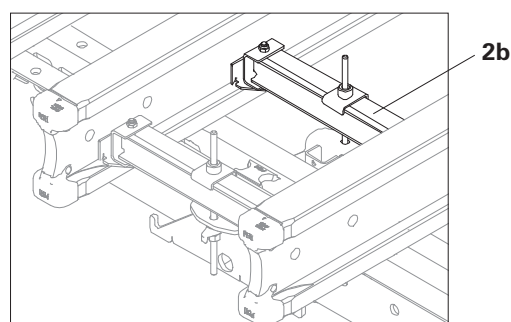


Fig. B1.14



- If a wooden girder is used as a main beam, the cross beams are fastened, e.g. with Hex. Wood Screws DIN 571 8 x 80 (Item no. 024260).
- Anti-tipping bracing (7) and forklift access (8) are to be selected depending on the cross beam spacing.

## Assembly

1. Secure Girder VT 20K (5) against tipping over by means of anti-tipping bracing (7). (Fig. B1.15a)
2. Install forklift access (8). (Fig. B1.16b)
3. Slide on the first Hook Strap Uni HBU 20-24 (20) from above onto the Girder VT 20K (5). (Fig. B1.17)
4. Attach both hooks (20.1) to the Steel Waler SRU U120 (6) and manually tighten Bolts (SW 13). (Fig. A2.18)
5. Mount second Hook Strap Uni HBU 20-24 (20) on the other end of the Girder VT 20K (5).
6. Repeat Steps 3 to 5 on all Girders VT 20K (5).
7. Mount formlining.

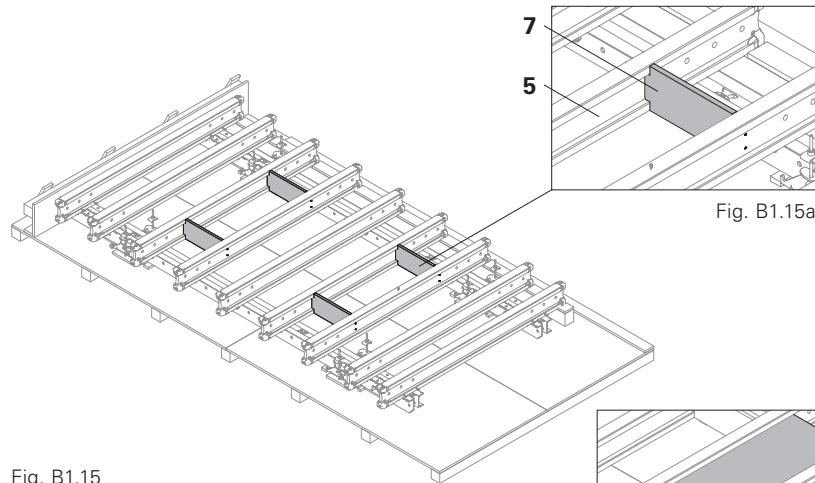


Fig. B1.15a

Fig. B1.15

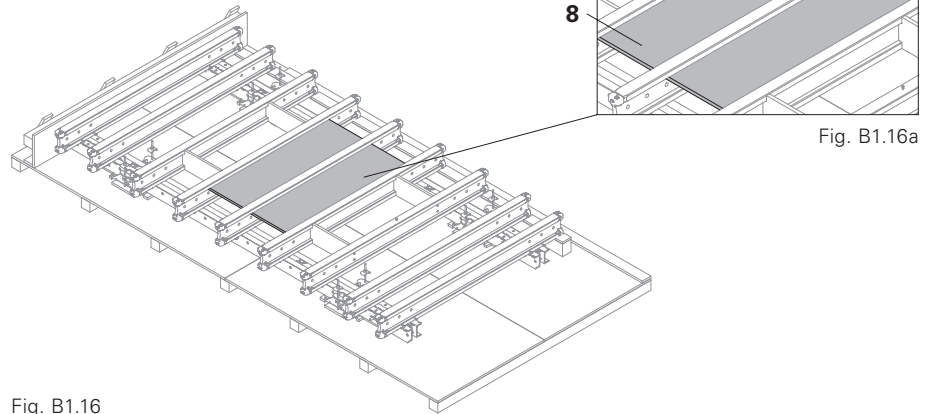


Fig. B1.16a

Fig. B1.16

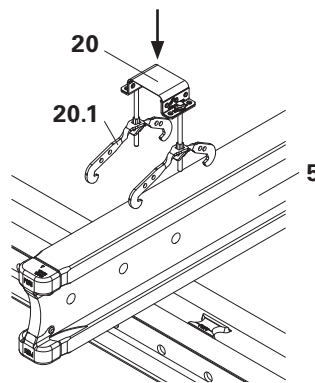


Fig. B1.17

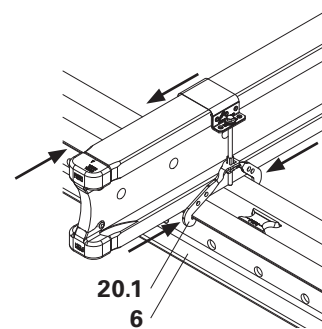


Fig. B1.18

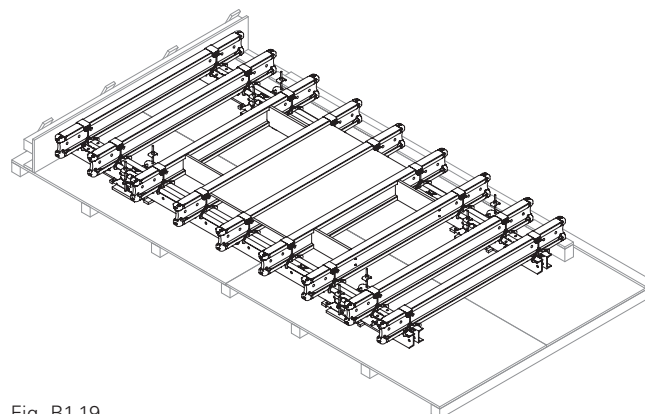


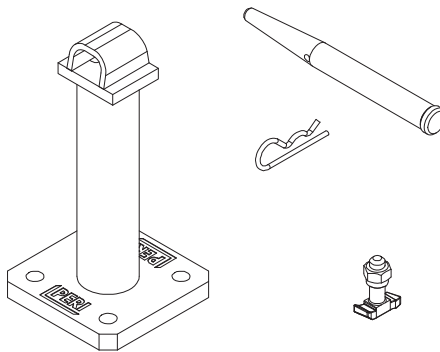
Fig. B1.19



## Compression Brace Head MP/SRU



- Take into consideration type test for the Compression Head MP/SRU with MULTIPROP.
- Always position screw head on the prop.
- Check nuts for tightness.



The Compression Brace Head MP/SRU is used for supporting inclined-positioned slab tables. (Fig. B1.20)

### Technical data

Perm. load-bearing capacity: see type test for the Compression Brace Head MP/SRU with MULTIPROP.

### Assembly

1. Secure Compression Brace Head MP/SRU (21) diagonally on the end plate (11.1) of the MULTIPROP MP (11) by means of 2x MULTIPROP bolts with nuts (22). (Fig. B1.20)
2. Spindle out MULTIPROP MP (11) to required length.
3. Mount Compression Brace Head MP/SRU on the Steel Waler SRU U120 (6) using Fitting Pin  $\varnothing 21 \times 120$  (48) and secure with Cotter Pin 4/1 (47).

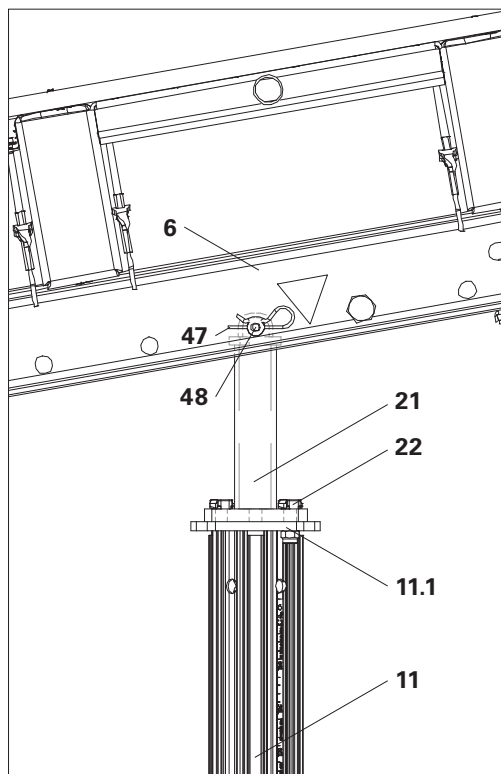


Fig. B1.20

## Girder combinations

### Version 1

Main beam: 2x Girder VT 20K  
Cross beam: Girder VT 20K  
(Fig. B2.01)

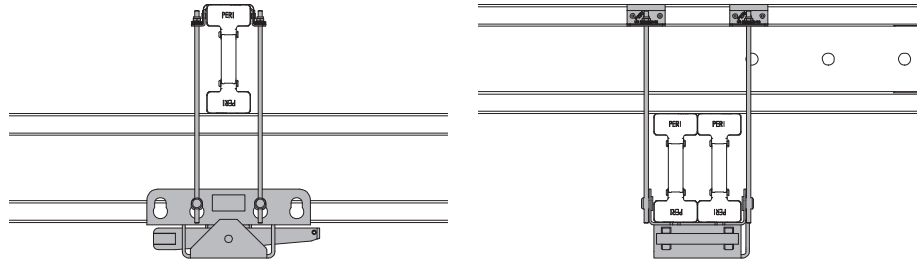


Fig. B2.01

### Version 2

Main beam: 2x Girder GT 24  
Cross beam: Girder GT 24  
(Fig. B2.02)

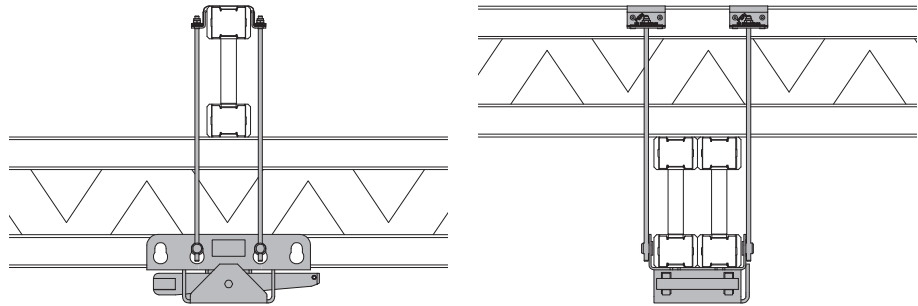


Fig. B2.02

### Version 3

Main beam: 2x Girder GT 24  
Cross beam: Girder VT 20K  
(Fig. B2.03)

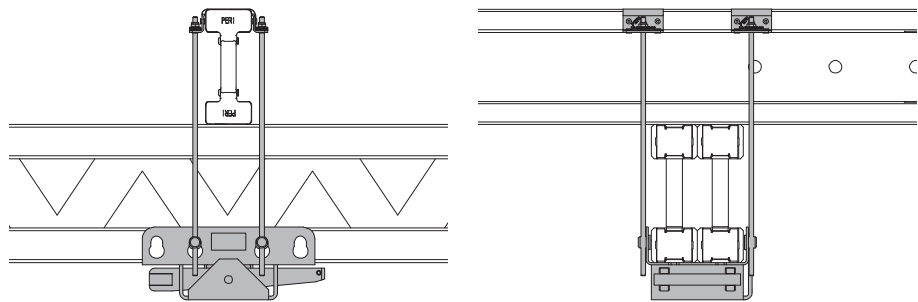


Fig. B2.03

## Table Head TK



**Take into consideration Design Tables 2015 – Formwork and Shoring.**



The illustrations are examples featuring the following girder combinations: Main beam: 2x Girder VT 20K (5a). Cross beam: Girder VT 20K (5b).

The number of Girders VT 20K and the spacing of the Table Heads TK (26) depends on the planning of the construction project.

### Assembly

1. On a sufficiently large and flat assembly area, mount stopping boards for the Girders VT 20K (5a) and the spacing battens for the Girders VT 20K (5b) according to the assembly plans. (Fig. B2.01)
2. Position 4x Table Heads TK (26) and align exactly with the stopping boards. (Fig. B2.02)
3. Position 4x Girder VT 20K (5a) as main beams on the Table Heads TK (26) and align exactly with the stopping boards. (Fig. B2.03)



The Girders VT 20K (5b) must be centrally arranged over the respective Table Head TK (26). (Fig. B2.07a)

4. Position 2x Girder VT 20K (5b) as cross beams symmetrically and orthogonally on the Girders VT 20K (5a), and centrally align on the Table Heads TK (26). (Fig. B2.07)

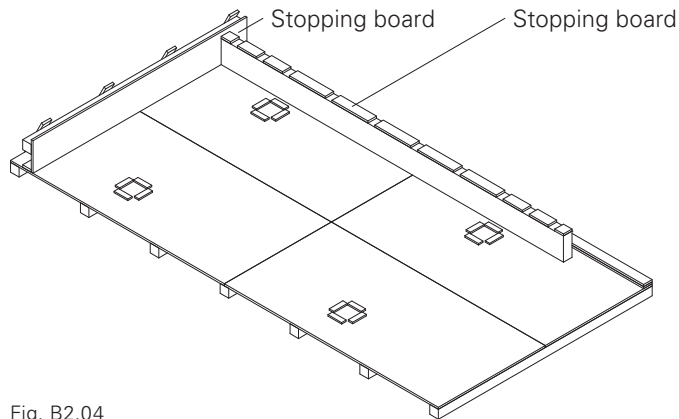


Fig. B2.04

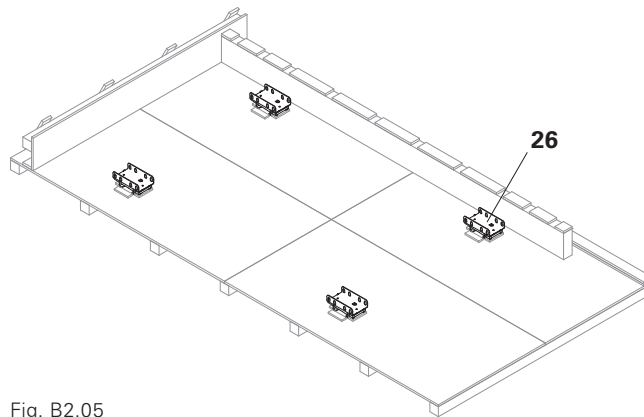


Fig. B2.05

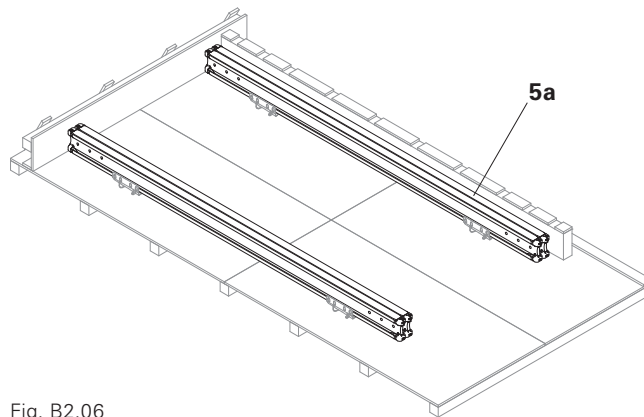


Fig. B2.06

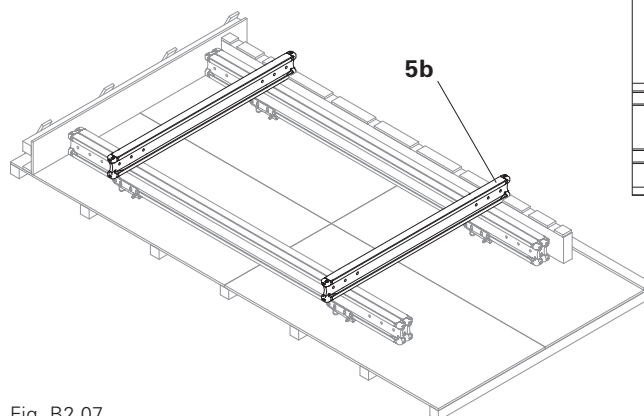


Fig. B2.07

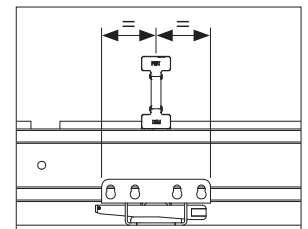


Fig. B2.07a

## Fixing cross beams

1. Slide on the Tie Set TK (51) from above onto the cross beam.
  2. Screw the threaded inserts (51.2) onto the threaded rods M8 (51.1) up to the openings in the Table Head.
  3. Position the threaded inserts in the openings.
  4. Tighten the Tie Set TK (51) using the nuts, SW 13.
- (Fig. B4.08a)

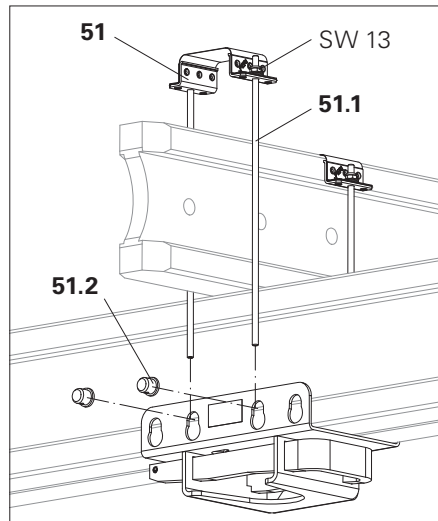


Fig. B2.08a

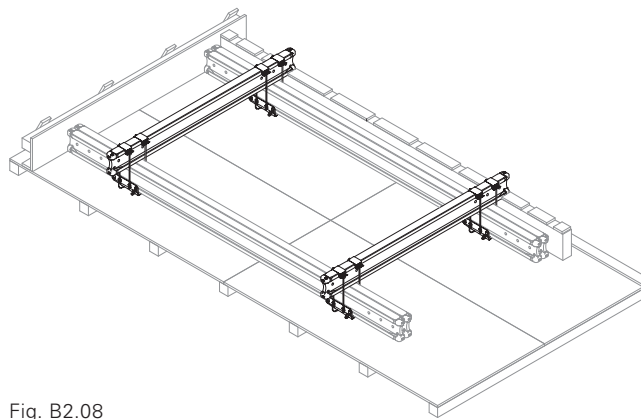


Fig. B2.08



For GT 24 / GT 24 girder combinations, use wood screws with  $L \geq 100$  mm.

1. Install additional cross beams and secure, e.g. using 4x Wood Screw 8 x 80 DIN 571 or timber connectors. (Fig. B2.09 + B2.09b)
2. Secure cross beam against tipping, e.g. with a piece of formlining between two cross beams. Cover slab table with formlining and secure, see plan. (Fig. B2.09a)
3. Mount formlining.

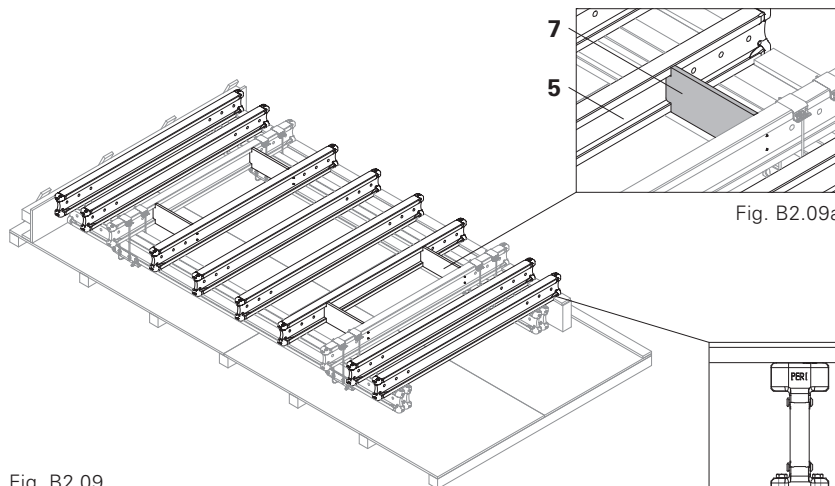


Fig. B2.09

Fig. B2.09a

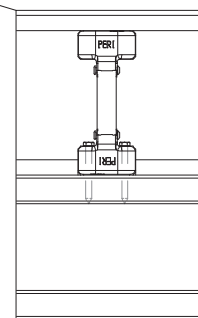


Fig. B2.09b

## Slab prop assembly



- Do not work under any suspended loads.
- Existing loads are to be checked and transferred through sufficiently load-bearing props.



Slab props  $\varnothing \leq 89$  cm are suitable.

### Assembly

1. Lift slab table using the Table Trolley.
2. Push back the wedge (26.1) of the Table Head TK (26) and remove. (Fig. B4.10a)
3. Fix slab prop with the end plate in the spigot of the Table Head TK (26). (Fig. B4.10b)



- Is the end plate positioned over the wedge?
- Are the spigots of the Table Head in the openings of the end plate? (Fig. B4.10c)

4. Push the slab prop upwards, insert the wedge (26.1) and secure it. (Fig. B4.10d)
5. Mount additional slab props in the same way.
6. Set down or move slab table.

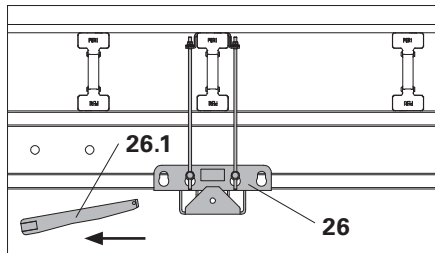


Fig. B2.10a

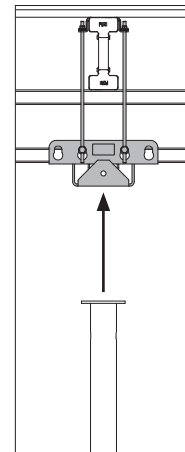


Fig. B2.10b

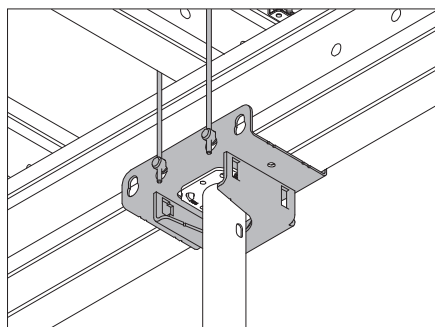


Fig. B2.10c

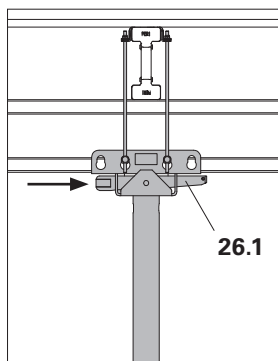


Fig. B2.10d

## Horizontal mounting



- Props cannot transfer horizontal forces.
- Slab tables must be securely connected to fixed components so that horizontal forces can be transferred from the upper construction into the building.
- This can take place by means of wedging against walls or columns.
- If necessary, bracing is used or other appropriate measures are to be taken.

## Bracing the slab table



**Do not access the cantilever until the bracing has been securely mounted.**

### Required components

Tension Bracket TK (27)  
 Anchor Chain 3.0 kN, L = 2.5 m (17.1)  
 Base Plate-2 for RS (18) and fastening means with perm. oblique tension force, e.g. Anchor Bolt PERI 14/20x130.

### Assembly

1. Fix Tension Sleeve TK (27) to the Table Head TK (26) using the Bolt ISO 4017 M12 x 30-8.8 (28) and Nut ISO 7042 M12-8 (29).
2. Fix the Base Plate-2 for RS (18) to the ground.
3. Attach Anchor Chain 3.0 kN, L = 2.5 m (17.1) and tension. (Fig. B2.11)

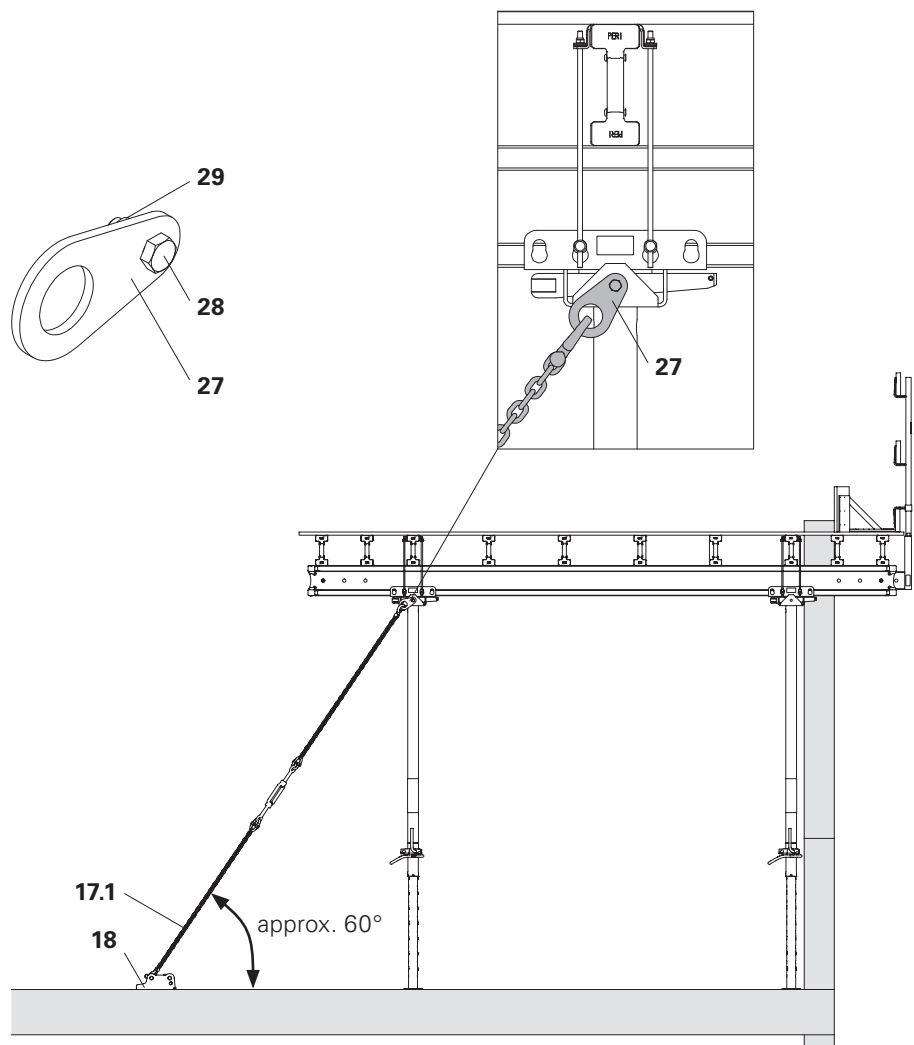


Fig. B2.11

The VARIODECK Slab Table can be adapted to suit the geometry of the building as a trapezoidal table. Through the movable table head of the slab table, trapezoidal tables can also be used for buildings with curvatures. (Fig. B3.01)



Slab tables with a wider base can be lifted in the middle with the Lifting Fork by using a centering plate.

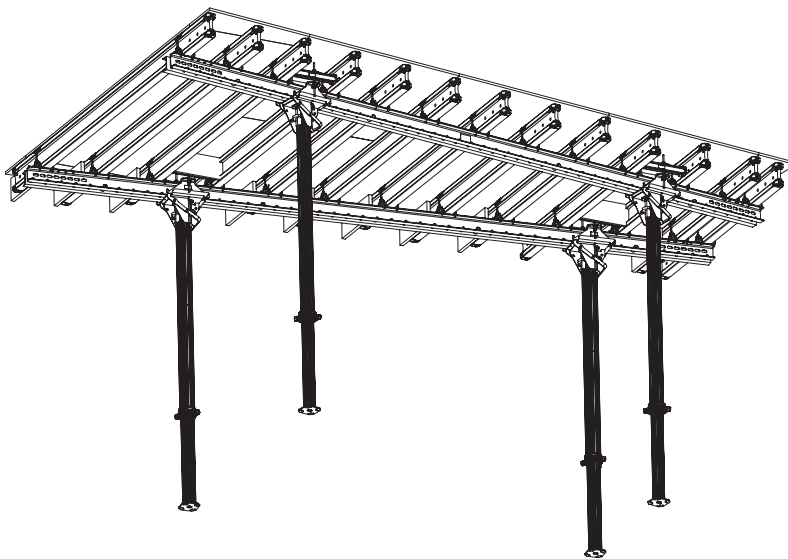


Fig. B3.01

## Adapting to the structure

If required, the slab table can be adapted to the geometry by  $\pm 150$  through the table head.

### Moving the Table Head Middle Part VD

1. Support the slab table (1) with temporary props.
2. Spindle in the slab table props that are to be moved.
3. After ensuring that the working area is safe, loosen the mini nuts (3.1) and move the Table Head Middle Part VD (3).
4. Tighten the nuts (3.1) and spindle out the slab table props to the required length.
5. Remove temporary props. (Fig. B3.02)

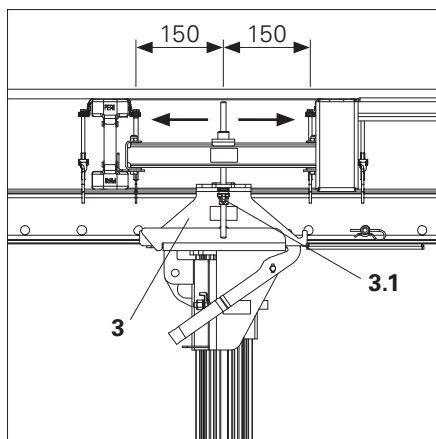


Fig. B3.02

### Trapezoidal table with Table Head TK

The cross beam can be installed at an angle of up to  $20^\circ$ . (Fig. B3.03)

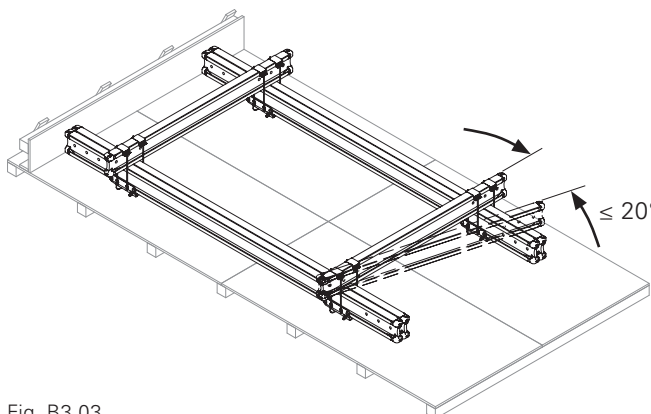


Fig. B3.03

## Dimensions



Platform assembly is valid for:

- Edge Beam Unit 200/215
- Edge Beam Unit 250/265

### Adjusting the beam dimensions

Maximum beam dimensions:

$$w/h = 400/300$$

Maximum slab thickness:

$$d = 300$$

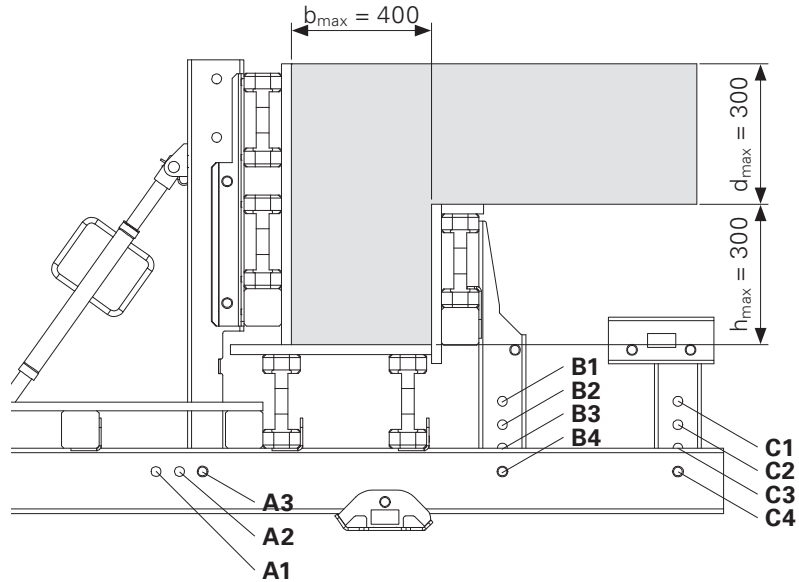


Fig. C1.01

b/h [cm]	Bolt position		
	A	B	C
30/15	A3	B1	C1
30/20	A3	B2	C2
30/25	A3	B3	C3
30/30	A3	B4	C4
35/15	A2	B1	C1
35/20	A2	B2	C2
35/25	A2	B3	C3
35/30	A2	B4	C4
40/15	A1	B1	C1
40/20	A1	B2	C2
40/25	A1	B3	C3
40/30	A1	B4	C4

Table C1.01



## Assembly

### Assembly preparation

1. Place the Platform Edge Beam VD 250/265 (31) on a stable and sufficiently load-bearing surface in an elevated position (assembly frame). (Fig. C1.02)

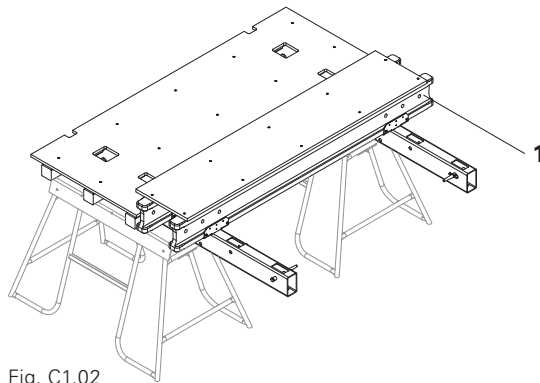


Fig. C1.02

### Formwork assembly

1. Insert the Internal Formwork VD 250/265 (32) in the Platform Beam (34).
2. Install the Internal Formwork VD 250/265 (32) at the designated position using 1x Fitting Pin  $\varnothing$  21 x 120 (48) each and secure with Cotter Pin 4/1 (47). (Fig. C1.03)
3. Insert the External Formwork VD 250/265 (33) in the Platform Beam (34).
4. Install the External Formwork VD 250/265 (33) at the designated position using 1x Fitting Pin  $\varnothing$  21 x 120 (48) each and secure with Cotter Pin 4/1 (47).
5. Install Kicker AV 82 (35) on the External Formwork VD 250/265 (33) and the Platform Beam (34) using Bolts 16 x 42 (23) and secure with Cotter Pin 4/1 (47). (Fig. C1.04)
6. Insert the Connector Beam VD (36) in the Platform Beam (34).
7. Install the Connector Beam VD (36) at the designated position using 1x Fitting Pin  $\varnothing$  21 x 120 (48) each and secure with Cotter Pin 4/1 (47). (Fig. C1.05)

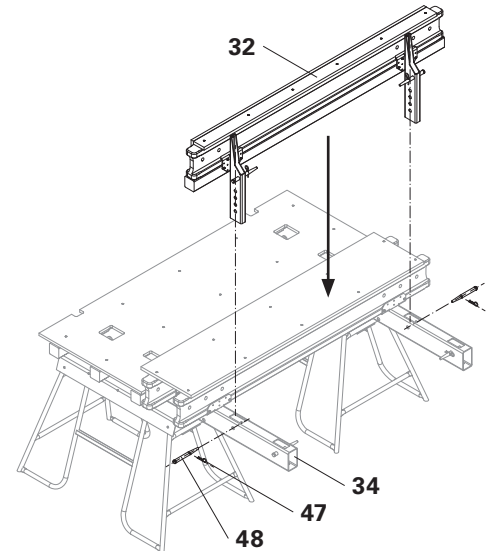


Fig. C1.03

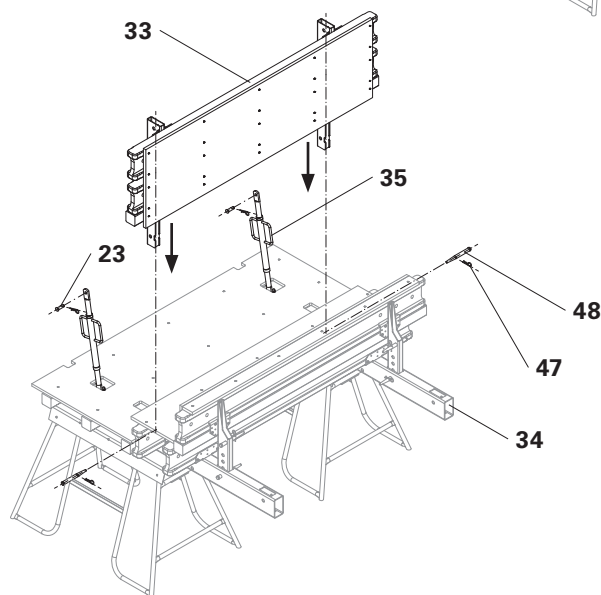


Fig. C1.04

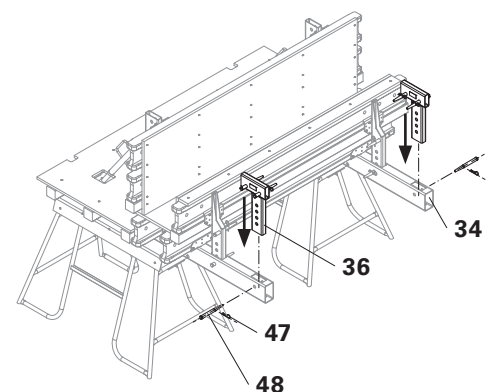


Fig. C1.05

## Assembling the guardrails

1. Insert the Post Connector Edge Beam VD (37) in the Platform Beam (34).
2. Install Post Connector Edge Beam VD (37) with 2x Fitting Pin  $\varnothing$  21 x 120 (48) each and secure with Cotter Pin 4/1 (47).
3. Insert Post Extension VD (38) in the Post Connector Edge Beam VD (37) until the locking wedge (38.1) is automatically secured. (Fig. C1.06)
4. Attach 2x Side Mesh Barrier PMB 260 (39) on top of each other on the Post Connectors Edge Beam VD (37). (Fig. C1.07)

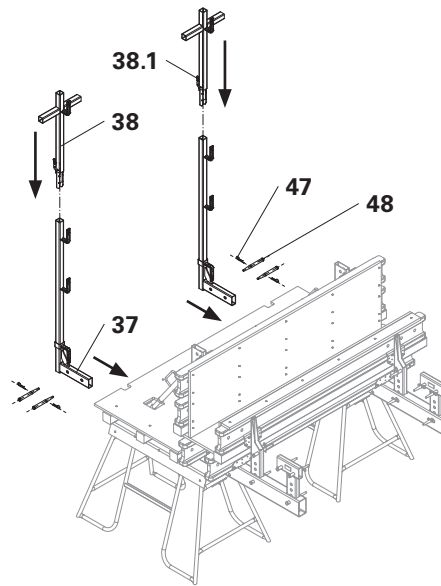


Fig. C1.06

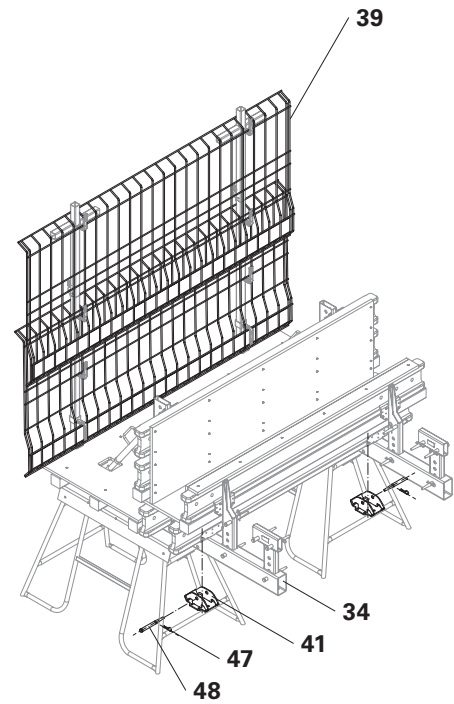


Fig. C1.07

## Assembly of the Prop Connector

1. Mount Prop Connector VD (41) on the Platform Beam (34) using Fitting Pin  $\varnothing$  21 x 120 (48) and secure with Cotter Pin 4/1 (47). (Fig. C1.07)

## Assembly on slab table

1. Attach 1x Assembly Gallows VD (40) each on the vertical profile for the External Girder (33.1) of the External Formwork VD 250/265 (33) and fix in position with 2x Fitting Pin  $\varnothing$  21 x 120 (48) in each case and secure with Cotter Pin 4/1 (47). (Fig. C1.08)
2. Attach Edge Beam Unit 250/265 (30) on the Assembly Gallows VD (40) with 4-sling lifting gear to the crane.
3. Insert Edge Beam Unit 250/265 (30) on the slab table (1).
4. Mount Edge Beam Unit 250/265 (30) on each side using 3x Fitting Pin  $\varnothing$  21 x 120 (48) and secure with Cotter Pin 4/1 (47). (Fig. C1.09)

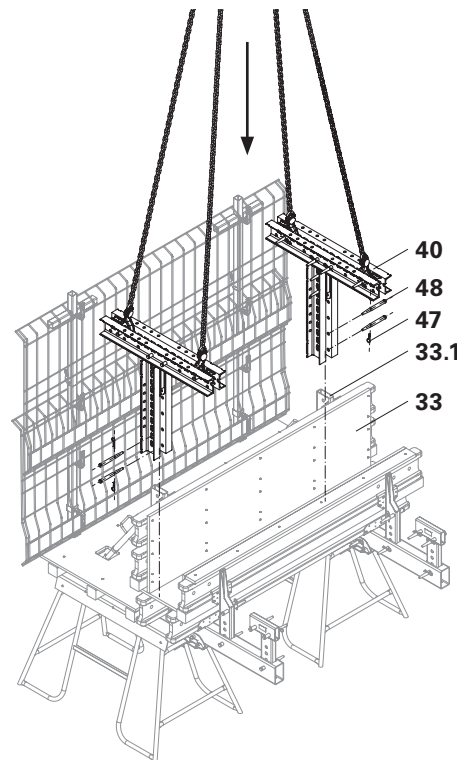


Fig. C1.08

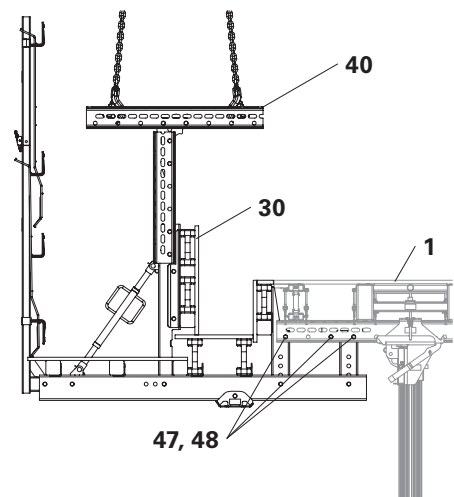


Fig. C1.09

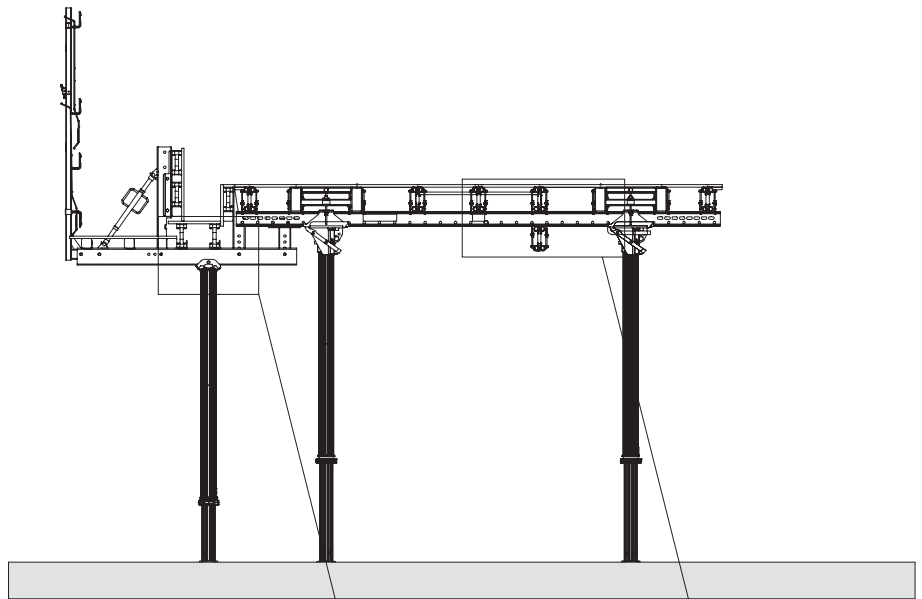


Fig. C1.10

## Prop assembly

1. Mount Slab Prop PEP (50), PEP Ergo (54) or MULTIPROP MP (11) on the Prop Connector VD (41) using 4x Bolt ISO 4017 M12 x 35-8.8 (52) each and Nut ISO 7040 M12-8 (53). (Fig. C2.10a)

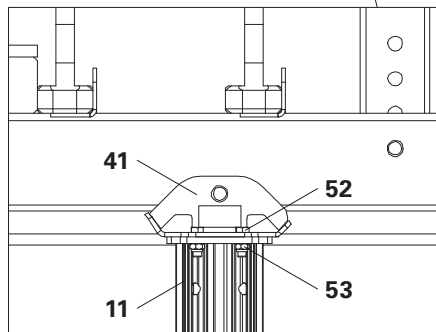


Fig. C1.10a

## Assembly of the compensation beam



If a Table Lifting Fork (19) is used for moving, a Girder VT 20K (5) must be mounted as a compensation beam.

1. Attach Girder VT 20K (5) to the Steel Waler SRU U120 (6) using 2x Hook Strap Uni HBU 20-24 (20). (Fig. C1.10b)

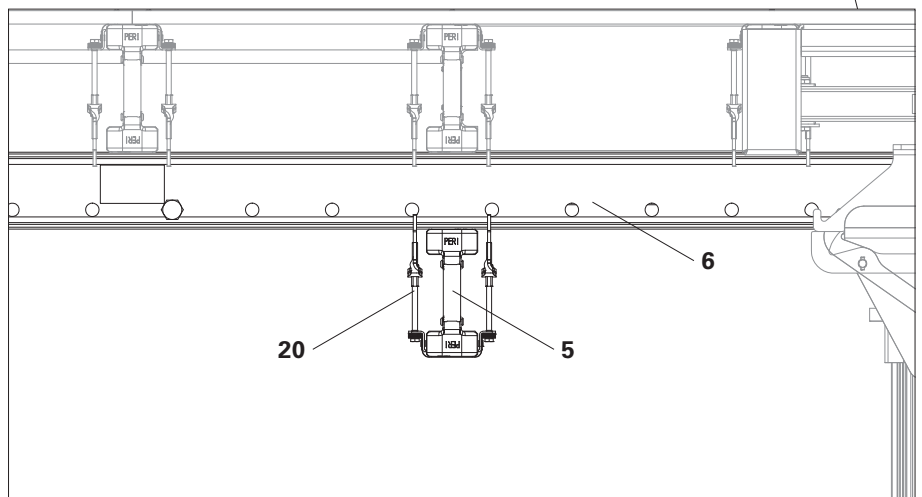


Fig. C1.10b

## Positioning



- Carrying personnel is forbidden.
- Follow Instructions for Use for the Table Lifting Fork.

### Positioning the slab table

1. Move the slab table (1) with the Edge Beam Unit 250/265 (30) using the Table Lifting Fork (19) and brace (see Section A4).

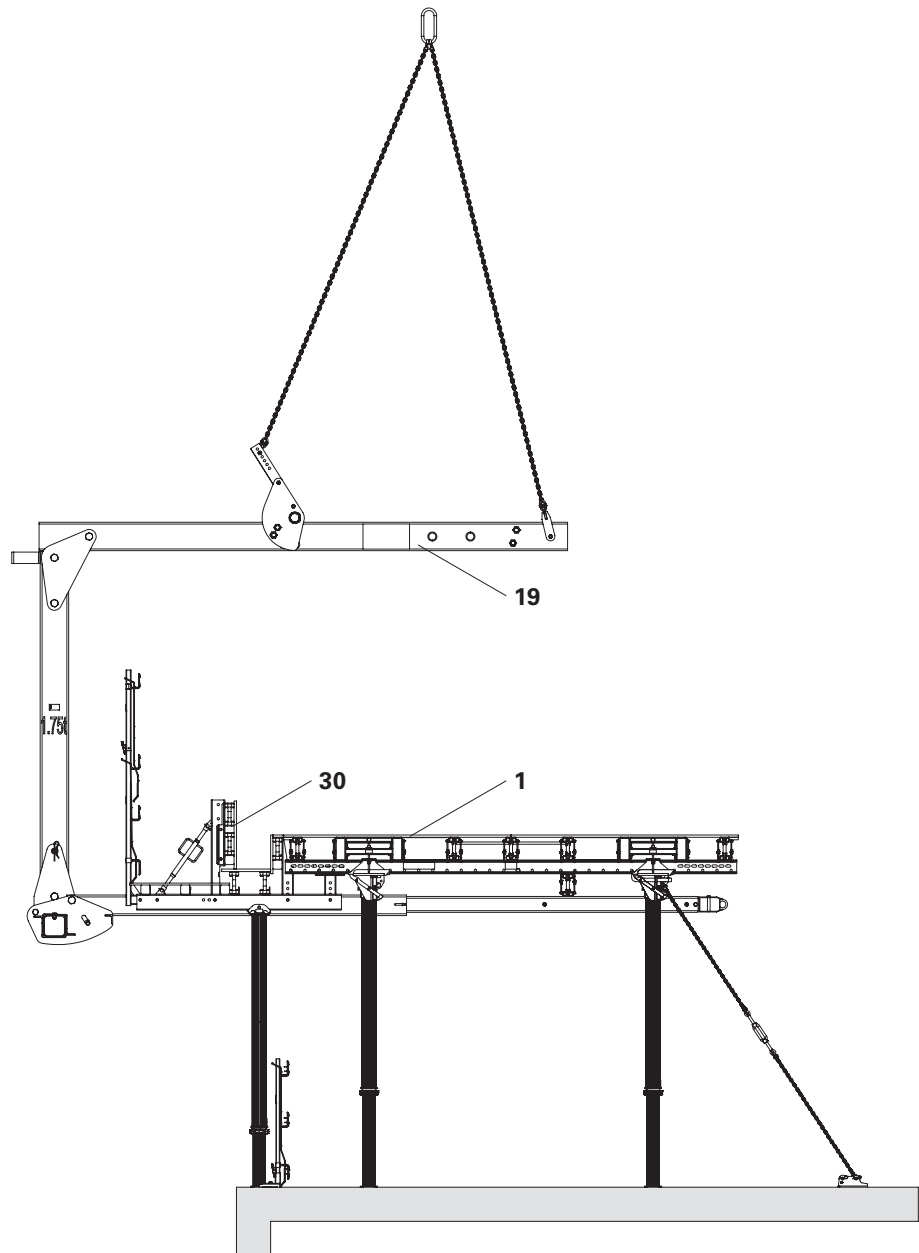


Fig. C1.11

## Striking



- Only strike tables once the concrete has sufficiently hardened and the person in charge has given the go-ahead for striking to take place.
- Do not stand on the slab table during striking and lowering operations.

### Striking

1. Tilt back the External Formwork VD 250/265 (33) with Kicker AV 82 (35).
2. Remove bracing.
3. Lower the slab table (1) approx. 20 cm.  
→ Slab table is released from the concrete slab.
4. Position the Table Lifting Fork (19) under the slab table and slightly raise the table.  
(Fig. C1.12)
5. Move the slab table (1) out of the building using the Table Lifting Fork (19), set down in its new position and then brace.  
(Fig. C1.13)

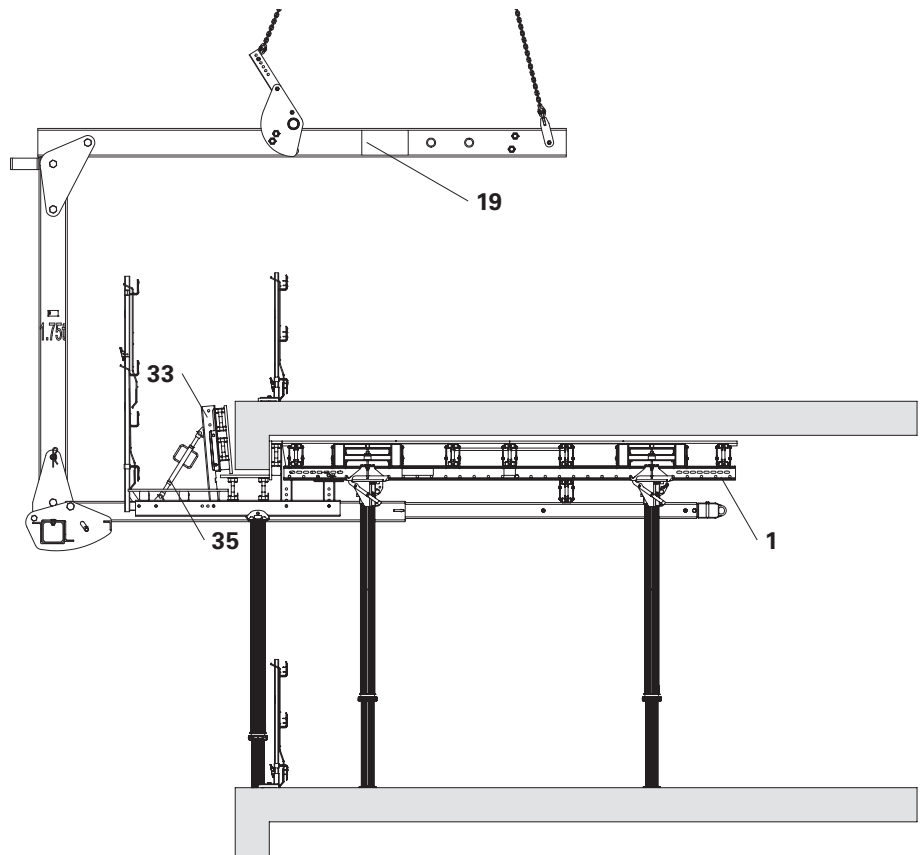


Fig. C1.12

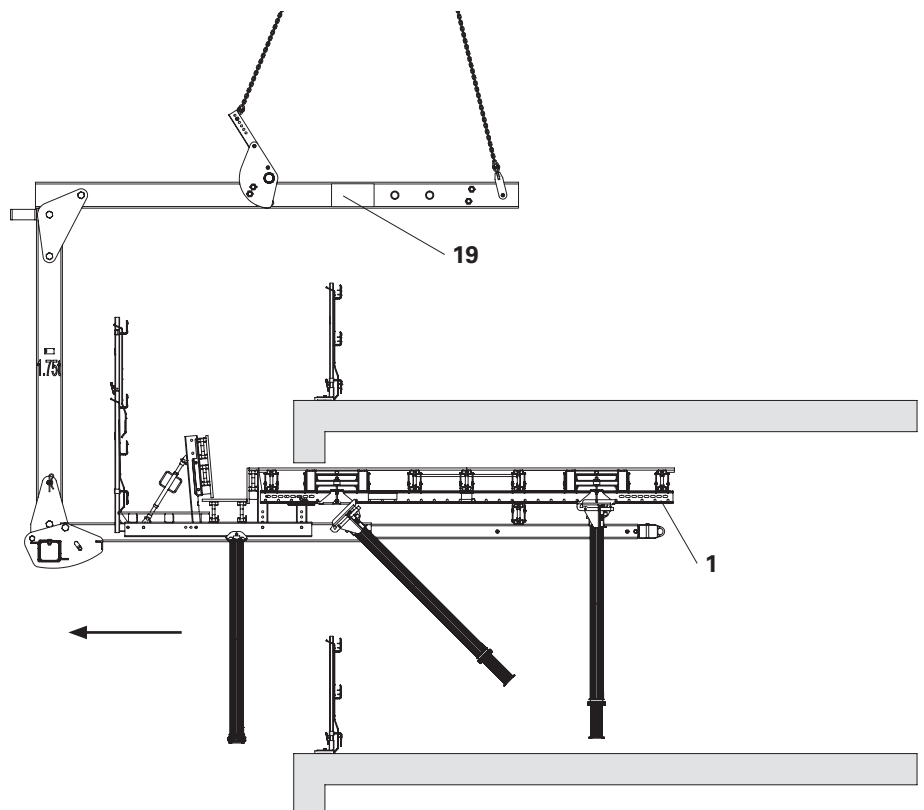


Fig. C1.13

## Assembly



For transporting and assembling the edge beam unit, two assembly gallows must be mounted.

The following components are required per assembly gallow:

Pos.	Component	Quantity
57	Steel Waler Universal SRU U120 L = 0.97 m	1x
58	Steel Waler Universal SRU U120 L = 0.72 m	1x
59	Corner Connector SRU VARIOKIT	1x
48	Fitting Pin Ø 21 x 120	8x
47	Cotter Pin 4/1, galv.	8x

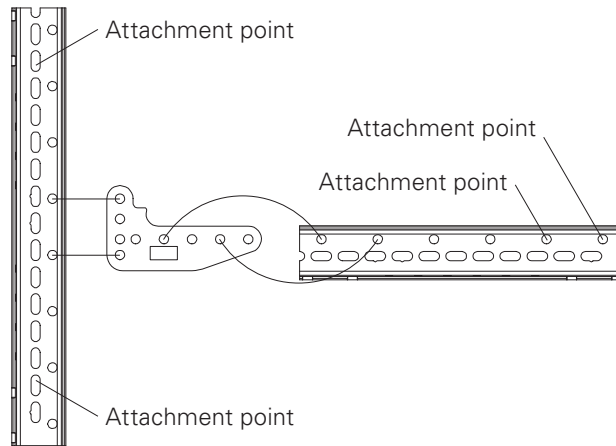


Fig. C2.01a

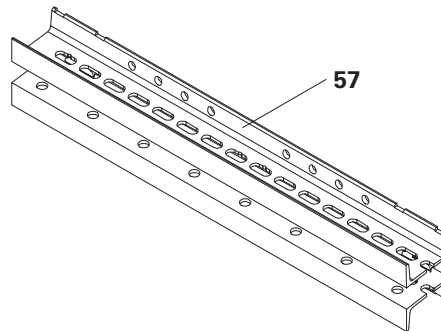


Fig. C2.01b

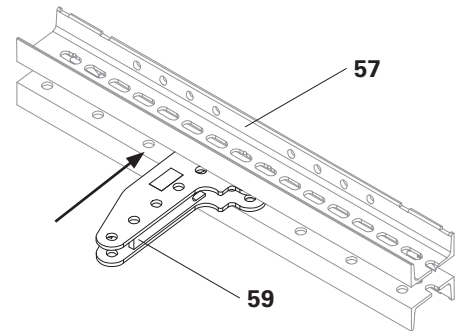


Fig. C2.01c

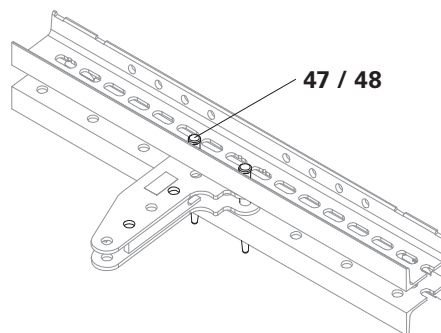


Fig. C2.01d

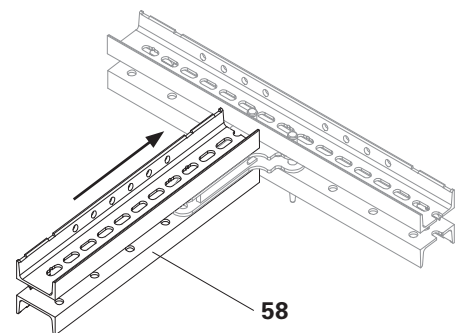


Fig. C2.01e

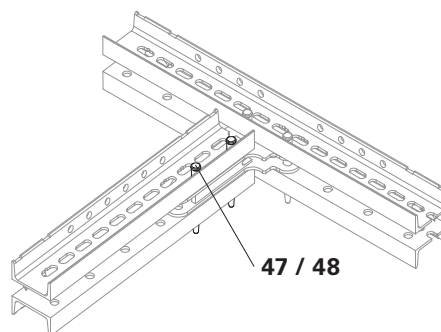


Fig. C2.01f

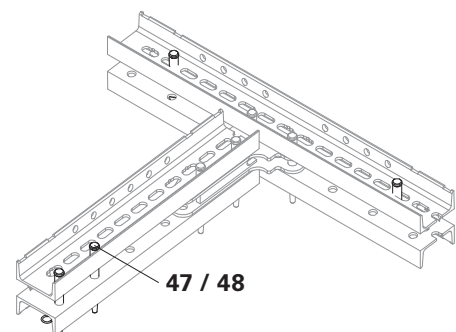


Fig. C2.01g

## Assembly

- Place the Steel Waler SRU U120 L = 0.97 m (57) on a flat assembly area. (Fig. C2.01b)
- Push the Corner Connector SRU VARIOKIT (59) centrally with the short side into the Steel Waler SRU U120 L = 0.97 m (57). (Fig. C2.01c)
- Mount Corner Connector SRU VARIOKIT (59) using 2x Fitting Pin Ø 21 x 120 (48), and secure with Cotter Pin 4/1 (47). (Fig. C2.01a + C2.01d)
- Push the Steel Waler SRU U120 L = 0.72 m (58) on the long side of the Corner Connector SRU VARIOKIT (59). (Fig. C2.01e)
- Attach the Steel Waler SRU U120, L = 0.72 m (58) in the marked holes of the Corner Connector SRU VARIOKIT using 2x Fitting Pin Ø 21 x 120 (48) and secure with Cotter Pin 4/1 (47). (Fig. C2.01a + C2.01d + C2.01f)
- Install 4x Fitting Pin Ø 21 x 120 (48) for the attachment points and secure with Cotter Pin 4/1 (47). (Fig. C2.01a + C2.01g)

## Load-bearing capacity



- Do not exceed the permissible load-bearing capacity of the assembly gallows and the permissible angle of inclination of the crane sling.
- Moving of other products is not permitted.

**Load Factor: 3**  
(according to DIN 13155)

**Perm. load-bearing capacity per assembly gallows:**  
**250 kg**

**Max. crane sling angle:**

$\alpha = 12^\circ$

$\beta = 10^\circ$

**Min. chain length of the lifting gear:**  
**3950 cm**

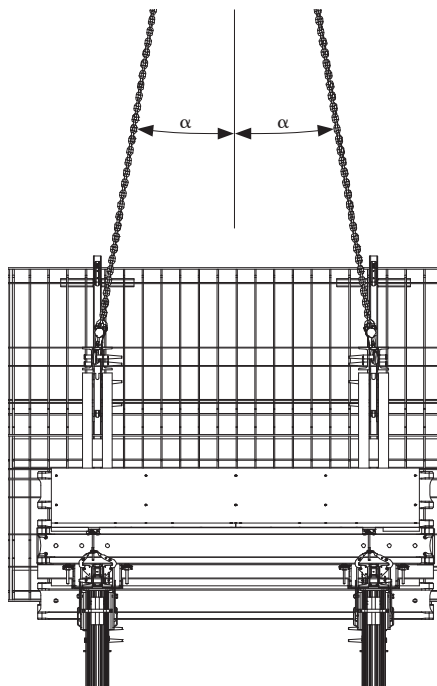


Fig. C2.02a

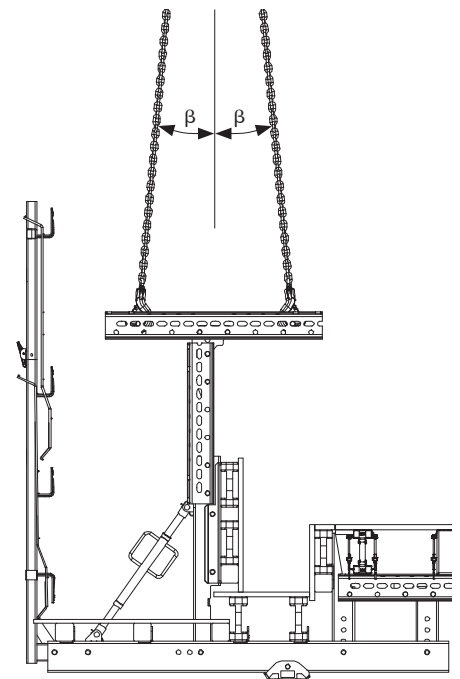


Fig. C2.02b

## Inspections

If the assembly gallows is used for more than one year, the following inspections must be carried out.

### 1. General

The procedure described in this section is based on the current German regulations for checks and inspections. The points listed form the minimum requirements for the inspection.

The respective regulations of the individual states and countries where this product is used must be taken into account.

If no country-specific regulations are available, it is recommended to proceed according to German rules and regulations.

The contractor is responsible for determining the type, scope and periods of the required inspections relating to the provision of the lifting accessory. As a result of these inspections, any safety-related defects are to be systematically identified and remedied.

### 2. Purpose

The check carried out before the initial operations as well as regularly recurring inspections of the lifting accessory ensure that operational and functional reliability is guaranteed.

### 3. Responsibility

The contractor must ensure that lifting accessories are put into operation only if they have been inspected by a qualified person.

### 4. Inspections

It has to be verified whether all defects have been rectified and non-functioning products have been replaced. The inspection includes a visual and functional check:

#### 4.1 Safety check

- Deformation, wear and lengthening of the components.
- Damage due to corrosion.
- Mechanical damage.
- Check bolts, lifting beam hooks and chain slings for signs of damage.
- Availability of all parts.
- Cracks, bending, flattening, notches on any components.
- Only original PERI components may be used.
- Indications of unreliable heating or contact with fire.

#### 4.2 Functionality check

- Free and easy movement of moving parts.
- Locking system works correctly.
- Safety pawls and safety hooks engage.
- Eyes and shackles for fastening purposes are usable.

Implementation of anything beyond the usual scope of inspection is subject to the discretion of the qualified person and can extend to additional checks.

#### 4.3 Measures

If any defects are determined during the safety inspection, they must be eliminated according to the instructions provided by the qualified person. A new inspection is to be subsequently carried out.

#### 4.4 Inspection before starting work operations

- Check whether the load-bearing capacity of the lifting accessory is sufficient for the weight of the load.
- Check the lifting accessory for any defects.





Slab Table 4-legged	200 x 400		250 x 400		200 x 600		250 x 600	
	Width of influence EB [m]							
	2.20	2.70	2.70	3.15	2.20	2.70	2.70	3.15
Slab thickness [m]	Prop load [kN]							
0.20	15.6	19.1	18.9	22.0	23.2	28.5	28.2	32.9
0.25	18.3	22.4	22.2	25.9	27.3	33.4	33.1	38.7
0.30	21.0	25.7	25.5	29.8	31.3	38.4	38.1	44.5
0.35	23.9	29.4	29.2	34.0	35.8	43.9	43.6	50.8
0.40	26.9	33.0	32.8	38.3	40.2	49.4	49.1	57.2
0.45	29.9	36.7	36.5	42.5	44.7	54.8	54.5	63.6
0.50	32.9	40.3	40.1	46.8	49.1	60.3	60.0	70.0

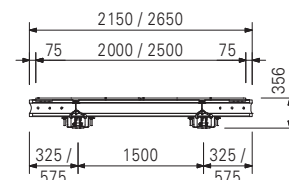
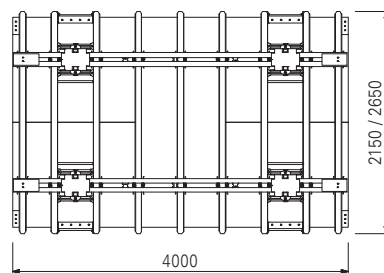
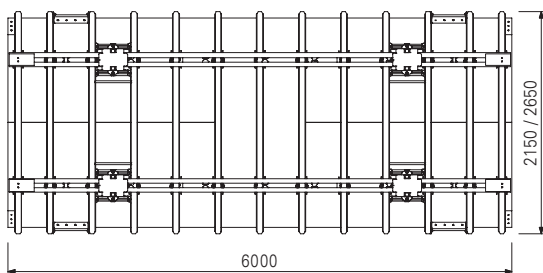
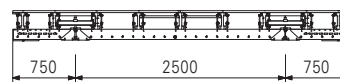
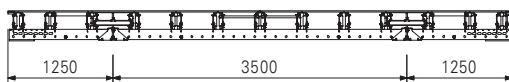
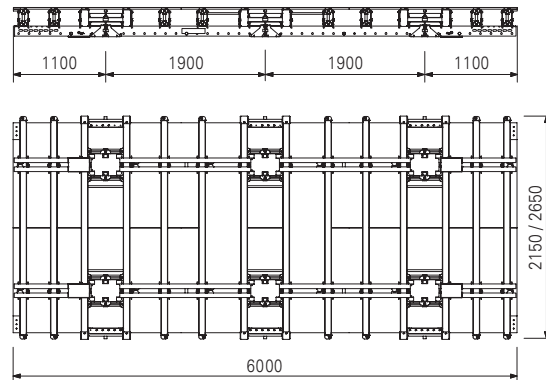
Slab Table 4-legged	200 x 600		250 x 600	
	Width of influence EB [m]			
	2.20	2.70	2.70	3.15
Slab thickness [m]	Prop load [kN]			
0.20	17.7	21.7	21.5	25.1
0.25	20.8	25.5	25.3	29.5
0.30	23.9	29.3	29.1	33.9
0.35	27.3	33.5	33.3	38.8
0.40	30.7	37.7	37.4	43.7
0.45	34.1	41.9	41.6	48.6
0.50	37.5	46.0	45.8	53.4

### Load according to DIN EN 12812:

- Dead load  $Q_1 = 0,70 \text{ kN/m}^2$
- Concrete load  $Q_{2,b} = 24,5 \text{ kN/m}^3 \times d \text{ [m]}$
- Equivalent load  $Q_4 = 0,10 \times Q_{2,b}$   
 $0,75 \text{ kN/m}^2 \leq Q_4 \leq 1,75 \text{ kN/m}^2$
- Working operations  $Q_{2,p} = 0,75 \text{ kN/m}^2$
- Total load  $Q = Q_1 + Q_{2,b} + Q_{2,p} + Q_4$

**Note:**  
Intermediate values of the permissible loads and resultant leg loads can be linearly interpolated.  
Maximum deflection in accordance with DIN 18218, Table 3, Line 7.

DIN 18218, Table 3, Line 6



# Slab Props

## MULTIPROP MP 250, 350, 480, 625

### Permissible prop load [kN] according to the type test

Extension length [m]	MP 250 L = 1.45 – 2.50 m		MP 350 L = 1.95 – 3.50 m		MP 480 L = 2.60 – 4.80 m		MP 625 L = 4.30 – 6.25 m	
	Outer tube bottom	Inner tube bottom	Outer tube bottom	Inner tube bottom	Outer tube bottom	Inner tube bottom	Outer tube bottom	Inner tube bottom
1.45	75.5	78.5						
1.50	75.5	78.5						
1.60	75.5	78.5						
1.70	75.5	78.5						
1.80	73.8	78.5						
1.90	70.6	78.5						
1.95	68.0	78.5	91.0	90.1				
2.00	67.3	78.5	91.0	90.1				
2.10	65.7	76.8	86.0	90.1				
2.20	64.1	75.1	80.6	90.1				
2.30	62.5	72.6	75.1	89.8				
2.40	60.8	69.1	70.7	87.9				
2.50	59.2	65.6	66.4	86.1				
2.60			63.7	83.1	88.5	73.6		
2.70			61.1	80.1	83.7	73.3		
2.80			59.2	77.1	78.8	72.9		
2.90			57.4	74.1	74.0	72.6		
3.00			56.0	70.3	69.1	72.2		
3.10			54.5	66.6	64.9	71.4		
3.20			52.9	61.8	60.7	70.7		
3.30			51.3	57.1	56.5	70.0		
3.40			47.7	51.7	54.1	68.2		
3.50			44.2	46.4	51.8	66.5		
3.60					49.4	64.7		
3.70					47.5	60.4		
3.80					45.7	56.1		
3.90					43.8	51.8		
4.00					41.8	48.4		
4.10					39.7	45.0		
4.20					37.7	41.6		
4.30					35.8	39.3	57.9	45.7
4.40					33.9	37.0	56.3	45.7
4.50					32.0	34.8	54.7	45.7
4.60					30.2	30.2	52.5	45.1
4.70					28.3	30.2	50.3	44.4
4.80					26.4	27.9	47.9	43.5
4.90							45.2	42.4
5.00							42.5	41.3
5.10							39.9	39.9
5.20							37.2	38.5
5.30							34.9	37.1
5.40							32.8	35.6
5.50							30.8	34.1
5.60							29.3	32.6
5.70							27.8	31.2
5.80							26.4	29.6
5.90							25.1	27.9
6.00							23.8	26.2
6.10							22.7	24.8
6.20							21.6	23.4
6.25							21.0	22.7

**MULTIPROP Props are classified according to official approval as follows:**  
 MP 250 = Class T 25                                      MP 480 = Class D 45  
 MP 350 = Class R 35                                      MP 625 = Class D 60

**Note:**  
 To release the loads > 60 kN we recommend using the HD Wingnut Spanner, Item no. 022027.  
 When using PERI Slab Tables, the permissible load of the MULTIPROP MP 350 prop is a minimum of 56 kN and a minimum of 36 kN for the MP 480 over the entire extension length which is due to the clamping in the Table Swivel Head or UNIportal Head.

# Slab Props

## PEP 20

### Permissible prop load [kN] according to the type test

Extension length [m]	PEP 20 N 260* L = 1.51 – 2.60 m		PEP 20 – 300 L = 1.71 – 3.00 m		PEP 20 – 350 L = 1.96 – 3.50 m		PEP 20 – 400 L = 2.21 – 4.00 m		PEP 20 – 500 L = 2.71 – 5.00	
	Outer tube bottom	Inner tube bottom	Outer tube bottom	Inner tube bottom	Outer tube bottom	Inner tube bottom	Outer tube bottom	Inner tube bottom	Outer tube bottom	Inner tube bottom
1.60	35.0	35.0								
1.70	35.0	35.0								
1.80	35.0	35.0	36.4	36.4						
1.90	35.0	35.0	36.4	36.4						
2.00	33.5	35.0	36.1	36.4	36.4	36.4				
2.10	31.9	35.0	33.2	36.4	36.4	36.4				
2.20	30.9	35.0	31.4	36.4	36.4	36.4				
2.30	29.8	35.0	29.9	36.4	36.4	36.4	36.4	36.4		
2.40	28.6	35.0	28.7	36.4	36.4	36.4	36.4	36.4		
2.50	27.1	32.9	27.7	36.4	36.4	36.4	36.4	36.4		
2.60	24.8	29.4	26.9	36.3	34.8	36.4	36.4	36.4		
2.70			25.7	32.7	33.4	36.4	36.4	36.4		
2.80			24.0	29.3	32.1	36.4	36.4	36.4	36.4	36.4
2.90			22.3	26.5	31.1	36.4	36.4	36.4	36.4	36.4
3.00			20.5	23.9	30.1	36.4	36.4	36.4	36.4	36.4
3.10					28.3	35.7	34.6	36.4	36.4	36.4
3.20					26.5	32.5	33.5	36.4	36.4	36.4
3.30					24.8	29.7	32.1	36.4	36.4	36.4
3.40					23.1	27.2	30.5	36.4	36.4	36.4
3.50					21.3	24.8	28.7	34.9	36.4	36.4
3.60							26.9	32.1	36.4	36.4
3.70							25.3	29.8	36.4	36.4
3.80							23.7	27.6	36.4	36.4
3.90							22.3	25.5	36.4	36.4
4.00							20.7	23.5	35.3	36.4
4.10									33.3	36.4
4.20									31.5	36.4
4.30									29.8	35.0
4.40									28.2	32.9
4.50									26.8	30.8
4.60									25.3	28.9
4.70									24.1	27.2
4.80									22.8	25.7
4.90									21.5	24.1
5.00									20.3	22.1

All PEP 20 Props correspond to Class D of DIN EN 1065, i. e. the permissible load for all extension lengths is a minimum of 20 kN.

When using PERI Slab Tables the permissible load for all PEP 20 props is a minimum of 30 kN over the entire extension lengths due to the clamping in the Table Swivel Head or UNIPORTAL Head.

\*For the N Props, the inner tube at the bottom can only be used in connection with PERI Slab Tables or SKYDECK (bolted head).

# Slab Props

## PEP 30

### Permissible prop load [kN] according to the type test

Extension length [m]	PEP 30 – 150		PEP 30 – 250		PEP 30 – 300		PEP 30 – 350		PEP 30 – 400	
	L = 0.96 – 1.50 m		L = 1.46 – 2.50 m		L = 1.71 – 3.00 m		L = 1.96 – 3.50 m		L = 2.21 – 4.00 m	
	Outer tube bottom	Inner tube bottom	Outer tube bottom	Inner tube bottom	Outer tube bottom	Inner tube bottom	Outer tube bottom	Inner tube bottom	Outer tube bottom	Inner tube bottom
1.00	36.4	36.4								
1.10	36.4	36.4								
1.20	36.4	36.4								
1.30	35.9	36.4								
1.40	35.3	36.4								
1.50	34.5	36.4	42.9	42.9						
1.60			42.9	42.9						
1.70			42.9	42.9						
1.80			42.1	42.9	42.9	42.9				
1.90			39.7	42.9	42.9	42.9				
2.00			37.9	42.9	42.9	42.9	45.5	45.5		
2.10			36.4	42.9	42.9	42.9	45.5	45.5		
2.20			35.5	42.9	42.9	42.9	45.5	45.5		
2.30			34.3	41.5	42.9	42.9	45.5	45.5	41.5	41.5
2.40			33.1	38.7	42.7	42.9	45.5	45.5	41.5	41.5
2.50			31.0	35.9	41.1	42.9	45.5	45.5	41.5	41.5
2.60					40.0	42.9	45.5	45.5	41.5	41.5
2.70					38.5	42.9	45.5	45.5	41.5	41.5
2.80					36.9	41.6	45.5	45.5	41.5	41.5
2.90					34.2	38.3	45.0	45.5	41.5	41.5
3.00					31.3	34.8	43.6	45.5	41.5	41.5
3.10							41.4	44.2	41.5	41.5
3.20							38.7	42.1	41.5	41.5
3.30							36.1	38.7	41.5	41.5
3.40							33.3	35.7	41.5	41.5
3.50							30.7	32.5	41.5	41.5
3.60									41.5	41.5
3.70									41.3	41.5
3.80									38.5	41.3
3.90									35.9	38.1
4.00									33.2	34.9

All PEP 30 Props correspond to Class E of DIN EN 1065, i.e. the permissible load for all extension lengths is a minimum of 30 kN.

When using PERI Slab Tables, the permissible load for all PEP 30 Props is a minimum of 40 kN (PEP 30 –150 = 35 kN) over the entire extension lengths due to the clamping in the Table Swivel Head or UNIPORTAL Head.

# Slab Props

## PEP Ergo D

### Permissible prop load [kN]

Extension length [m]	PEP Ergo D-150		PEP Ergo D-250		PEP Ergo D-350		PEP Ergo D-400		PEP Ergo D-500	
	L = 0.98 – 1.50 m		L = 1.47 – 2.50 m		L = 2.26 – 3.50 m		L = 2.51 – 4.00 m		L = 3.26 – 5.00 m	
	Outer tube bottom	Inner tube bottom	Outer tube bottom	Inner tube bottom	Outer tube bottom	Inner tube bottom	Outer tube bottom	Inner tube bottom	Outer tube bottom	Inner tube bottom
1.00	30.8	30.8								
1.10	30.8	30.8								
1.20	30.8	30.8								
1.30	30.8	30.8								
1.40	28.5	30.8								
1.50	26.4	30.8	35.0	35.0						
1.60			35.0	35.0						
1.70			32.9	35.0						
1.80			30.7	35.0						
1.90			29.1	35.0						
2.00			28.1	35.0						
2.10			27.3	35.0						
2.20			26.5	34.1						
2.30			25.7	32.3	40.0	40.0				
2.40			24.3	29.4	40.0	40.0				
2.50			22.4	26.3	40.0	40.0				
2.60					38.0	40.0	40.0	40.0		
2.70					35.2	40.0	40.0	40.0		
2.80					33.1	40.0	40.0	40.0		
2.90					31.3	40.0	40.0	40.0		
3.00					29.9	40.0	40.0	40.0		
3.10					28.5	39.0	37.7	40.0		
3.20					27.2	35.3	35.7	40.0		
3.30					25.3	32.1	33.9	40.0	40.0	40.0
3.40					23.5	29.2	32.5	40.0	40.0	40.0
3.50					21.7	26.5	31.0	39.7	40.0	40.0
3.60							29.0	36.4	40.0	40.0
3.70							27.0	33.3	40.0	40.0
3.80							25.2	30.7	40.0	40.0
3.90							23.5	28.2	40.0	40.0
4.00							21.8	26.0	40.0	40.0
4.10									39.3	40.0
4.20									36.5	40.0
4.30									34.0	39.2
4.40									31.8	37.0
4.50									29.9	34.6
4.60									28.1	32.4
4.70									26.4	30.4
4.80									24.8	28.5
4.90									23.4	26.8
5.00									21.8	25.3

### Note:

- PERI PEP Ergo D-150, PEP Ergo D-250, PEP Ergo D-350, PEP Ergo D-400 and PEP Ergo D-500 Props fulfil Prop Class D load-bearing capacity requirements of DIN EN 1065.
- In addition, Prop PEP Ergo D-250 fulfils Prop Class B requirements as stipulated in DIN EN 1065.
- General Building Inspectorate Approval Z-8.311-934 for PERI PEP Ergo D-150 and PEP Ergo D-250.
- General Building Inspectorate Approval Z-8.311-941 for PERI PEP Ergo D-350, PEP Ergo D-400 and PEP Ergo D-500.

# Slab Props PEP Ergo E

## Permissible prop load [kN]

Extension length [m]	PEP Ergo E-300		PEP Ergo E-400	
	L = 1.96 – 3.00 m		L = 2.51 – 4.00 m	
	Outer tube bottom	Inner tube bottom	Outer tube bottom	Inner tube bottom
2.0	50.4	50.4		
2.1	50.4	50.4		
2.2	50.4	50.4		
2.3	50.4	50.4		
2.4	50.4	50.4		
2.5	48.9	50.4		
2.6	46.7	50.4	50.4	50.4
2.7	44.7	50.4	50.4	50.4
2.8	43.0	50.4	50.4	50.4
2.9	41.2	50.4	50.4	50.4
3.0	39.1	46.3	50.4	50.4
3.1			50.4	50.4
3.2			50.4	50.4
3.3			50.4	50.4
3.4			50.4	50.4
3.5			48.5	50.4
3.6			46.0	50.4
3.7			42.7	48.4
3.8			39.7	44.7
3.9			36.9	41.1
4.0			34.1	37.7

### Note:

- PERI Props PEP Ergo E-300 and PEP Ergo E-400 fulfil the Prop Class E load-bearing capacity requirements of DIN EN 1065.
- General Building Inspectorate Approval Z-8.311-941 of the German Institute for Building Technology.

# VARIODECK Steel Waler Slab Table



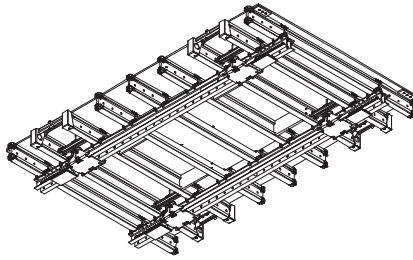
Item no.	Weight kg
117336	578.000
117337	633.000

## Tables VD 400

### Table VD 200/215 x 400

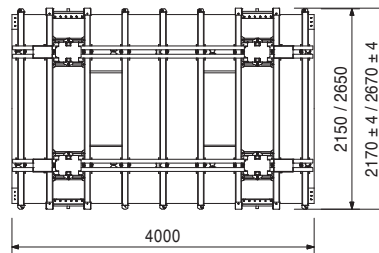
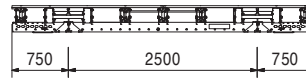
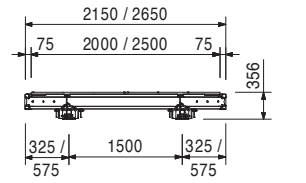
### Table VD 250/265 x 400

Pre-assembled, rentable slab table.  
Plywood 21 mm.



## Complete with

- 8 pc. 117176 Table Head Upper Part VD
- 4 pc. 117185 Table Head Middle Part VD
- 4 pc. 117189 Edge Protector, galv.



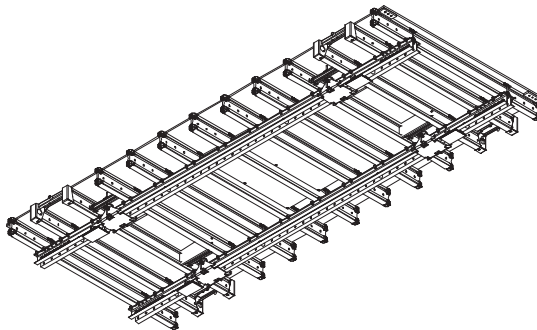
117193	799.000
117308	880.000

## Tables VD 600

### Table VD 200/215 x 600

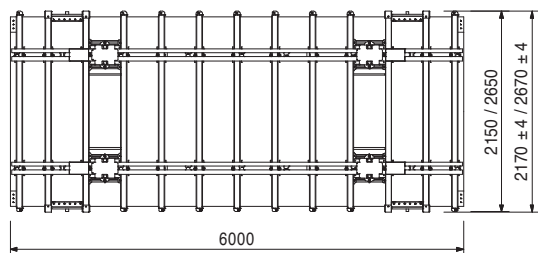
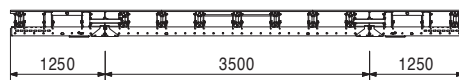
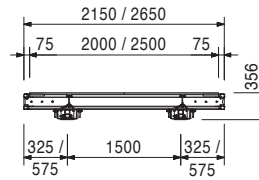
### Table VD 250/265 x 600

Pre-assembled, rentable slab table.  
Plywood 21 mm.



## Complete with

- 8 pc. 117176 Table Head Upper Part VD
- 4 pc. 117185 Table Head Middle Part VD
- 4 pc. 117189 Edge Protector, galv.





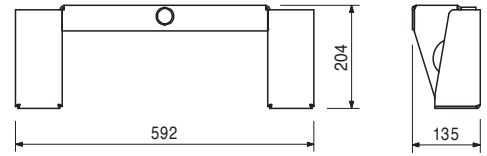
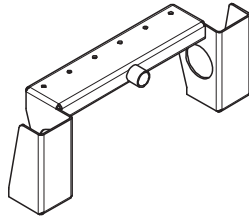
# VARIODECK Steel Waler Slab Table



Item no.	Weight kg
117189	5.770

## Edge Protector, galv.

For protecting the plywood formlining when using chains or crane hangers.



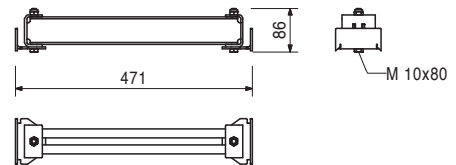
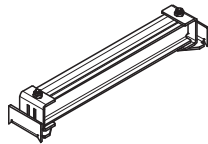
117176	3.110
--------	-------

## Table Head Upper Part VD

For assembling PERI Slab Tables.

### Note

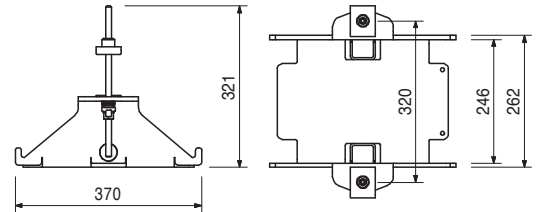
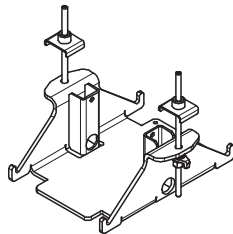
Always use in pairs.



117185	10.400
--------	--------

## Table Head Middle Part VD

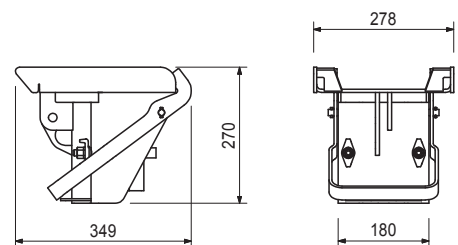
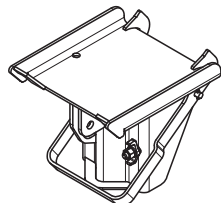
For assembling PERI Slab Tables.



100956	11.900
--------	--------

## Table Swivel Head, Lower Part

For assembling PERI Slab Tables. With quick-release clamp for slab props from  $\varnothing$  57 mm as well as PERI MULTIPROP Props.



# VARIODECK Steel Waler Slab Table



Item no. Weight kg

028350	16.300
117358	17.000

## MULTIPROP Frames MRK

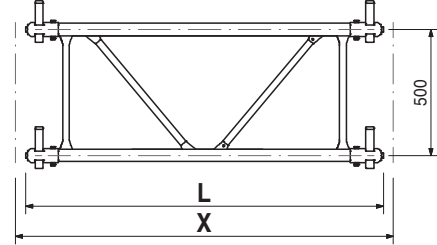
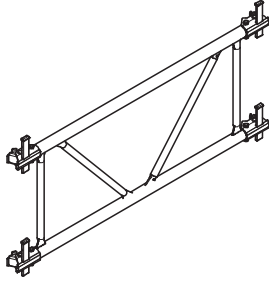
### Frame MRK 150

### Frame MRK 350

Bracing frame for MULTIPROP Slab Prop. For connecting to outer and inner tube. With captive wedge coupling.

L	X
1420	1500
3420	3500

**Note**  
L = Loading Length  
X = Axis Length



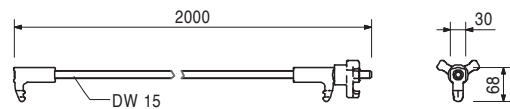
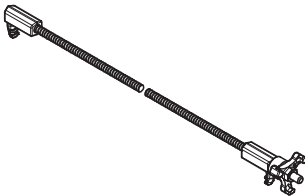
117576 4.100

## Coupling VD

For longitudinal connection of Slab Tables VD.

## Technical Data

Permissible tension force 20 kN.



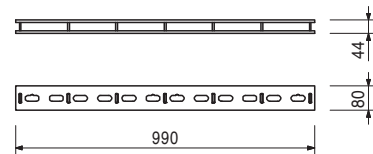
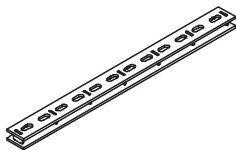
013010 9.000

## Coupling VKZ 99

For connection of SRZ and SRU Steel Walers.

## Technical Data

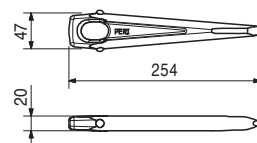
$W_y = 17.1 \text{ cm}^3$ ,  $I_y = 68.3 \text{ cm}^4$ .



024240 0.805

## Wedge KZ, galv.

For connecting panels with VARIO Couplings or Tie Yoke SKZ.



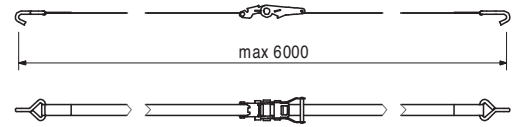
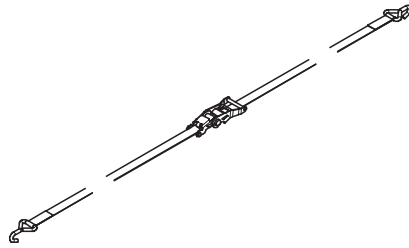
# VARIODECK Steel Waler Slab Table



Item no.	Weight kg
107895	1.430

**Tension Belt STLB**  
For anchoring of slab tables.

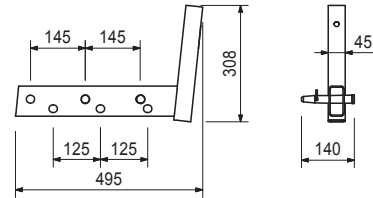
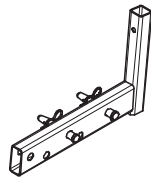
**Technical Data**  
Permissible tension force = 10 kN



104131	3.940
--------	-------

**Guardrail Holder SRU/SRZ**  
For assembling a guardrail to the Steel Walers SRU and SRZ, Profile U100 to U140.

**Complete with**  
2 pc. 105400 Pin Ø 20 x 140, galv.  
2 pc. 018060 Cotter Pin 4/1, galv.



Accessories

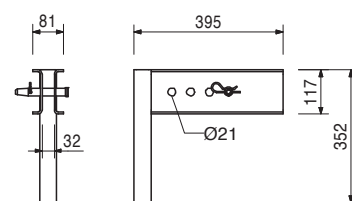
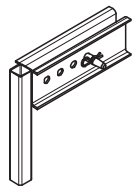
116292	4.720
061260	6.150

**Guardrail Post HSGP-2**  
**Guardrail Post SGP**

101290	5.670
--------	-------

**Guardrail Holder GT 24 / VT 20**  
For assembling a guardrail to GT 24 and VT 20 Girders.

**Complete with**  
1 pc. 105400 Pin Ø 20 x 140, galv.  
1 pc. 018060 Cotter Pin 4/1, galv.



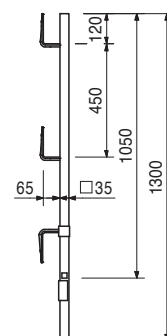
Accessories

116292	4.720
061260	6.150

**Guardrail Post HSGP-2**  
**Guardrail Post SGP**

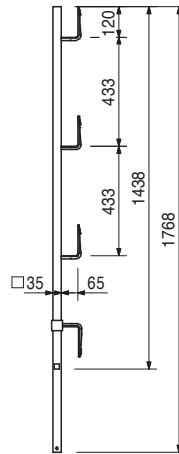
116292	4.720
--------	-------

**Guardrail Post HSGP-2**  
As guardrail for different systems.



Item no.	Weight kg
061260	6.150

**Guardrail Post SGP**  
As guardrail for different systems.



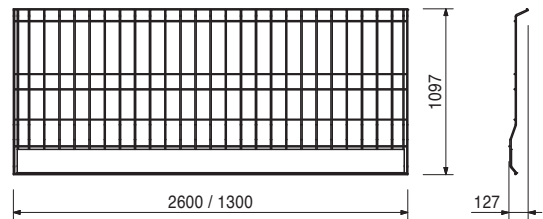
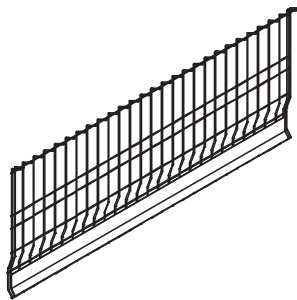
117326	19.700
117327	10.500

**Side-Mesh-Barrier PMB**  
**Side-Mesh-Barrier PMB 260**  
**Side-Mesh-Barrier PMB 130**

**L**  
2600  
1300

**Technical Data**

Maximum distance with side-mesh-barrier: PMB 260 max. 2.40 m, PMB 130 max. 1.20 m.

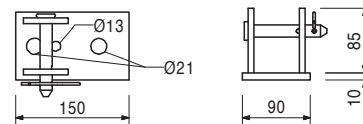
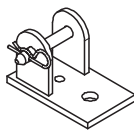


028100	1.830
--------	-------

**Base Plate for RS**  
For assembly of RS Push-Pull Props.

**Complete with**

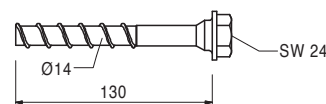
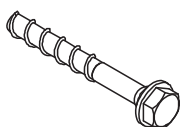
- 1 pc. 018050 Pin Ø 16 x 65/86, galv.
- 1 pc. 018060 Cotter Pin 4/1, galv.



124777	0.210
--------	-------

**Anchor Bolt PERI 14/20 x 130**  
For temporary fixation to reinforced concrete structures.

**Note**  
See PERI data sheet!  
Drilling Ø 14 mm.



# VARIODECK Steel Waler Slab Table



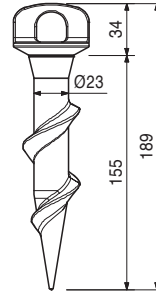
Item no.	Weight kg
123970	0.047

## Screw-On Sleeve PERI M16/164

For temporary mounting of components on reinforced concrete slabs.

## Note

Inserted into the fresh concrete immediately after concreting.



## Accessories

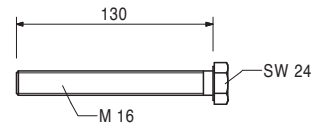
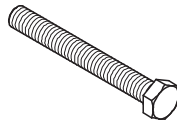
123973	0.240
--------	-------

## Bolt ISO 4014 M16 x 130-8.8, galv.

123973	0.240
--------	-------

## Bolt ISO 4014 M16 x 130-8.8, galv.

For assembly of Slab Feet PDF in combination with Screw-On Sleeve PERI M16/164.



028710	433.000
028715	428.000

## Table Trolleys 2 t

### Table Trolley 2 t, L = 2.00 m

### Table Trolley 2 t, L = 1.70 m

For moving PERI Slab Tables. Not approved for transporting site personnel! Only move on clean and flat surfaces with a sufficient load-bearing capacity.

## Note

Follow Instructions for Use!

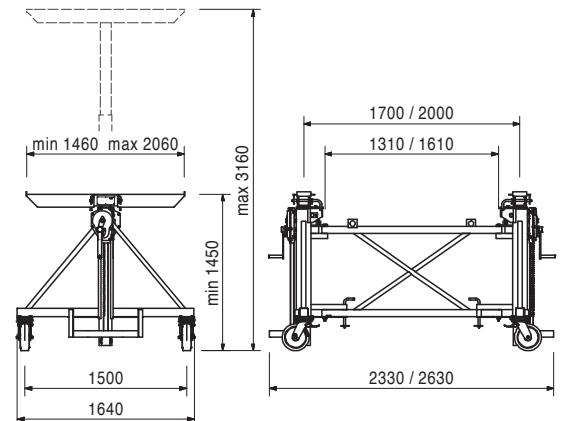
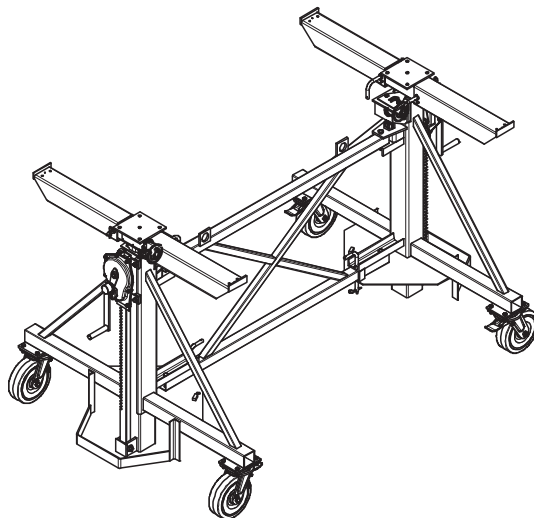
## Technical Data

Utilisation height 1.45 m up to 3.16 m

With Extension 100 up to 4.16 m

With Extension 100 und Extension 60 up to 4.76 m.

Load-carrying capacity per winch 1.0 t.



## Accessories

102251	26.200
101854	21.200

## Central Cross 200

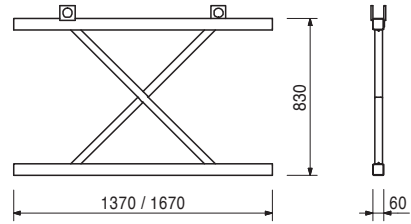
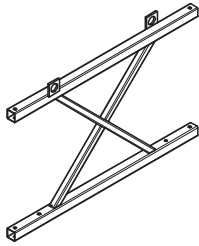
## Central Cross 170

Item no. Weight kg

102251 26.200  
101854 21.200

**Central Crosses**  
**Central Cross 200**  
**Central Cross 170**

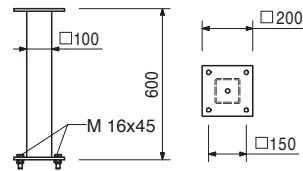
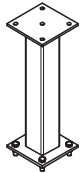
For Table Trolley 2 t, L = 2.00 m or 1.70 m.



104050 15.100

**Extension 60 for Table Trolley**

2 pieces per Table Trolley. With the Extension 60 and Attachment 100, the working height of the trolley increases: min. height 3.05 m, max. height 4.80 m

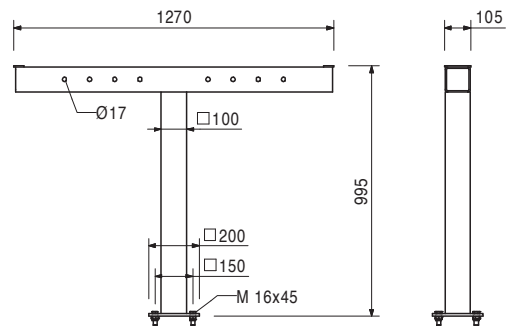
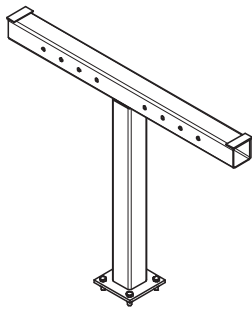


028720 34.600

**Attachment 100 for Table Trolley**

2 pieces per Table Trolley. Use telescopic arms of the trolley.

With the Extension 100, the working height of the trolley increases: min. height 2.45 m, max. height 4.20 m



# VARIODECK Steel Waler Slab Table



Item no.	Weight kg
113733	1530.000

**PERI Table Lift PTL**  
For moving PERI Slab Tables.

**Complete with**

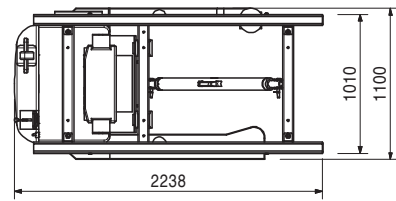
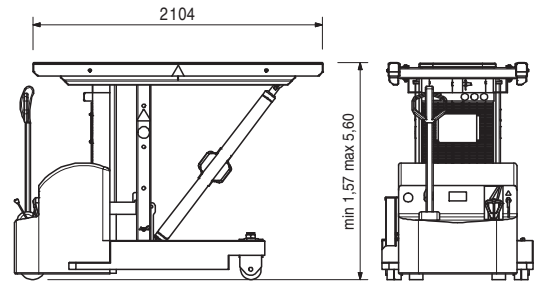
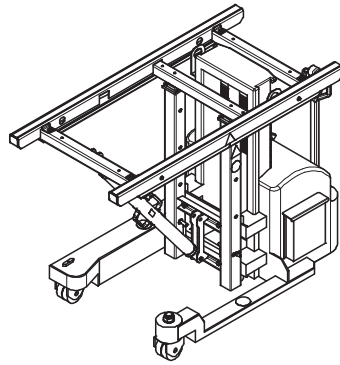
- 1 pc. 126419 Connector set for Table Lift PTL
- 1 pc. 126418 Gel battery for Table Lift PTL
- 1 pc. 126244 Lifting Device PTL

**Note**

Follow Instructions for Use!

**Technical Data**

Utilisation height 1.57 m to 5.60 m.  
Required tension force for the charging process 230 V, 50/60 Hz.  
Permissible load-bearing capacity 1.18 t.



101862	571.000
--------	---------

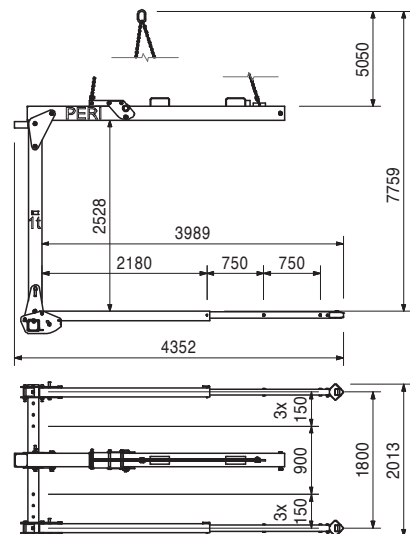
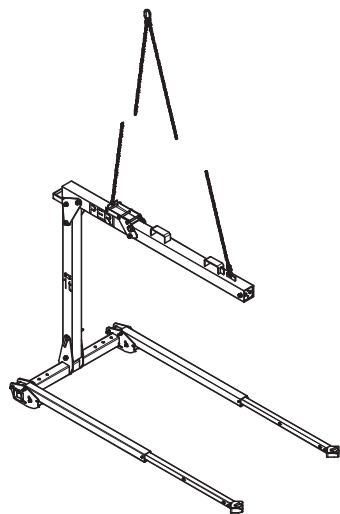
**Lifting Fork 1 t / 5.0 m**  
For moving PERI Slab Tables. Table length up to 5.0 m

**Note**

Follow Instructions for Use!

**Technical Data**

Permissible load-bearing capacity 1.0 t.



# VARIODECK Steel Waler Slab Table



Item no.	Weight kg
112230	1010.000

## Lifting Fork 1.25 t / 6.0 m compl.

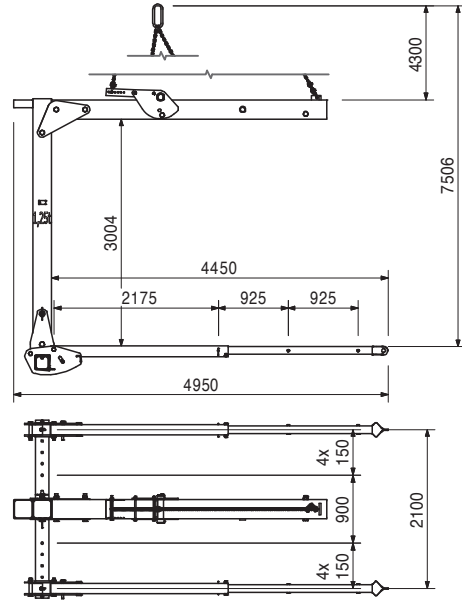
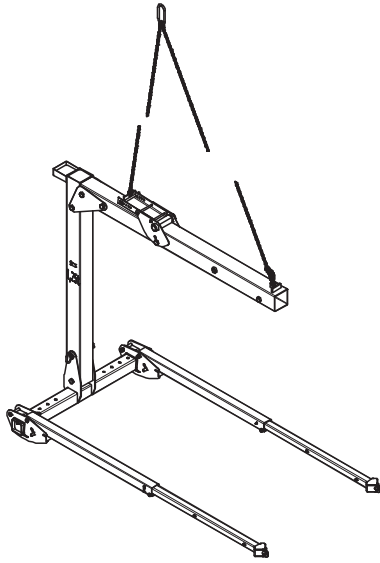
For moving PERI Slab Tables. Table length up to 6.0 m.

### Note

Follow Instructions for Use!

### Technical Data

Permissible load-bearing capacity 1.25 t.



103212	1570.000
--------	----------

## Lifting Fork 1.75 t / 8.0 m

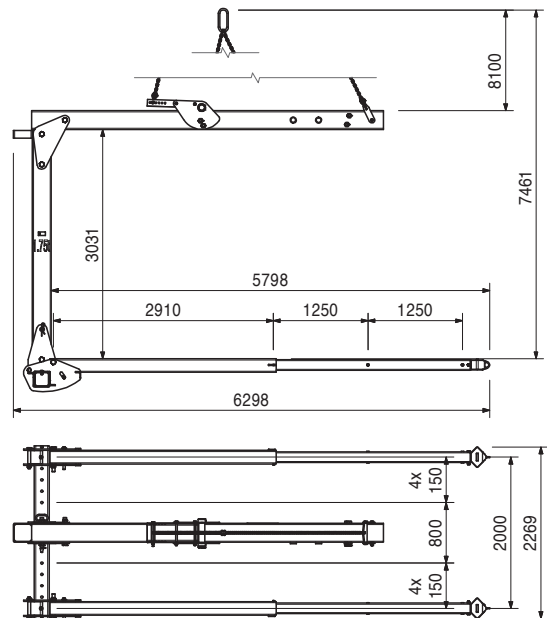
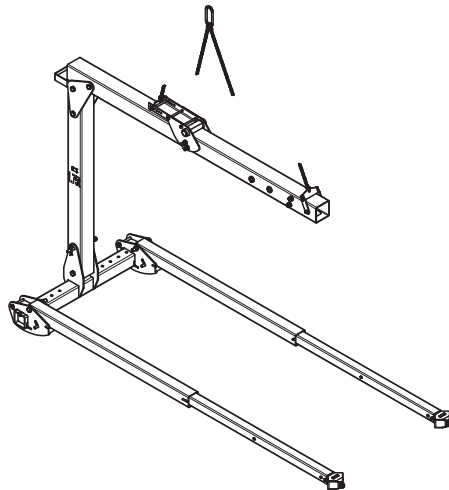
For moving PERI Slab Tables. Table length up to 8.0 m

### Note

Follow Instructions for Use!

### Technical Data

Permissible load-bearing capacity 1.75 t.





# VARIODECK Steel Waler Slab Table



Item no.	Weight kg
115865	1800.000

## Lifting Fork 1.5 t / 8.0 m / 6.6 m

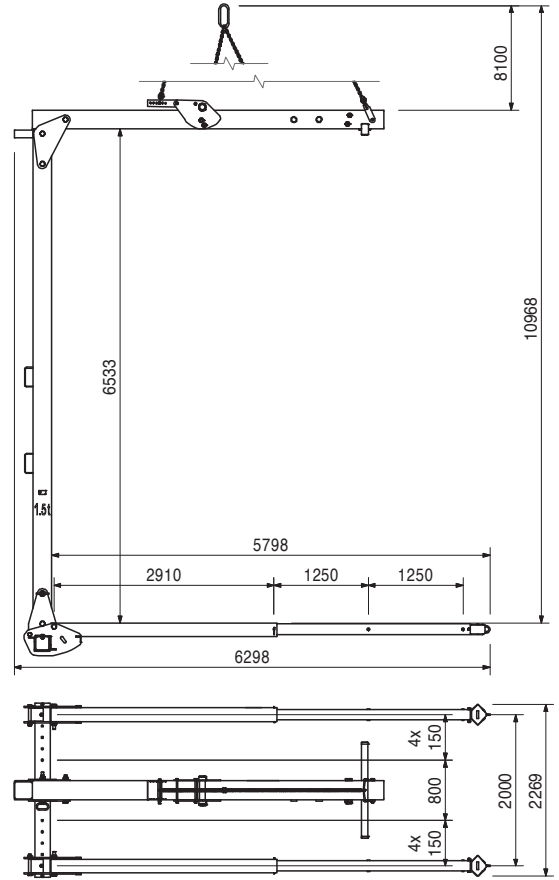
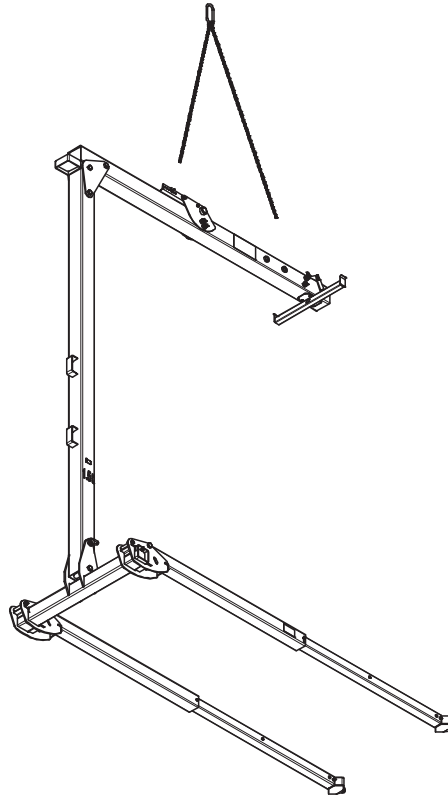
For moving PERI Slab Tables. Tables length up to 8.00 m over two floors.

### Note

Follow Instructions for Use!

### Technical Data

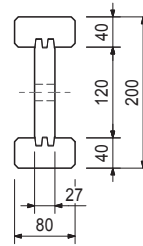
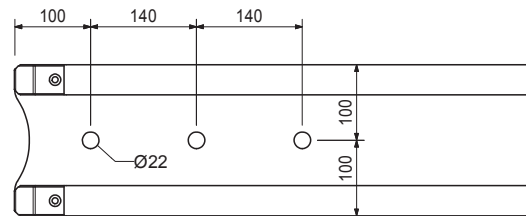
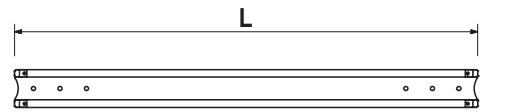
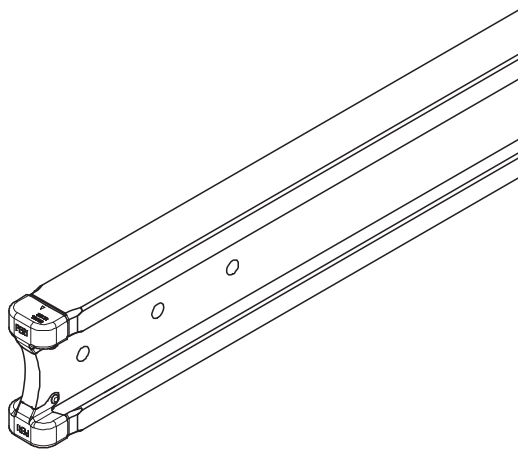
Permissible load-bearing capacity 1.5 t.



Item no.	Weight kg		L
		<b>Girders VT 20K</b>	
074990	8.560	<b>Girder VT 20K, L = 1.45 m</b>	1445
074905	12.700	<b>Girder VT 20K, L = 2.15 m</b>	2150
074910	14.460	<b>Girder VT 20K, L = 2.45 m</b>	2450
074890	15.640	<b>Girder VT 20K, L = 2.65 m</b>	2650
074920	17.110	<b>Girder VT 20K, L = 2.90 m</b>	2900
074930	19.470	<b>Girder VT 20K, L = 3.30 m</b>	3290
074940	21.240	<b>Girder VT 20K, L = 3.60 m</b>	3590
074950	23.010	<b>Girder VT 20K, L = 3.90 m</b>	3890
074960	26.550	<b>Girder VT 20K, L = 4.50 m</b>	4490
074970	28.910	<b>Girder VT 20K, L = 4.90 m</b>	4900
074980	34.810	<b>Girder VT 20K, L = 5.90 m</b>	5900

Universal formwork girder made of wood.

**Note**  
The girder fulfils all requirements of DIN EN 13377 class P20 (Declaration of Conformity).



# VARIODECK Steel Waler Slab Table



Item no.	Weight kg		L
		<b>Steel Walers Universal SRU U120</b>	
103868	18.100	Steel Waler Universal SRU U120, L = 0.72 m	722
103871	24.200	Steel Waler Universal SRU U120, L = 0.97 m	972
103874	30.900	Steel Waler Universal SRU U120, L = 1.22 m	1222
103877	38.100	Steel Waler Universal SRU U120, L = 1.47 m	1472
103886	44.700	Steel Waler Universal SRU U120, L = 1.72 m	1722
103889	52.000	Steel Waler Universal SRU U120, L = 1.97 m	1972
103898	58.600	Steel Waler Universal SRU U120, L = 2.22 m	2222
103892	65.600	Steel Waler Universal SRU U120, L = 2.47 m	2472
103929	72.000	Steel Waler Universal SRU U120, L = 2.72 m	2722
103903	81.000	Steel Waler Universal SRU U120, L = 2.97 m	2972
103906	92.600	Steel Waler Universal SRU U120, L = 3.47 m	3472
103915	106.000	Steel Waler Universal SRU U120, L = 3.97 m	3972
103918	119.000	Steel Waler Universal SRU U120, L = 4.47 m	4472
103922	135.000	Steel Waler Universal SRU U120, L = 4.97 m	4972
103925	146.000	Steel Waler Universal SRU U120, L = 5.47 m	5472
103928	159.000	Steel Waler Universal SRU U120, L = 5.97 m	5972

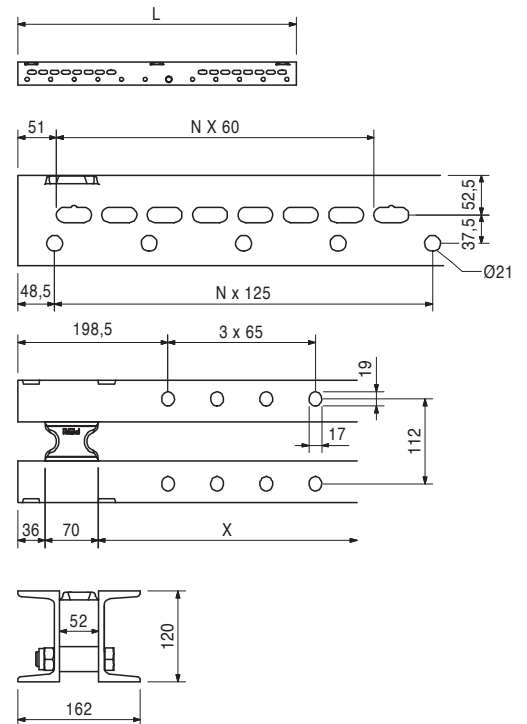
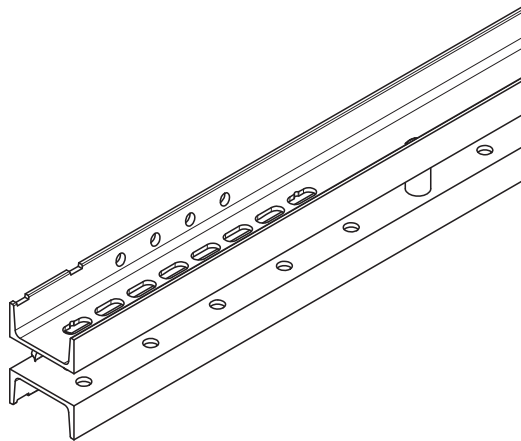
Universal Steel Waler Profile U120 used as waling for girder wall formwork and for diverse special applications. With adjustable spacers.

**Note**

Permissible load: see PERI Design Tables.

**Technical Data**

U120:  $W_y = 121.4 \text{ cm}^3$ ,  $I_y = 728 \text{ cm}^4$ .



# VARIODECK Steel Waler Slab Table



Item no.	Weight kg
027288	10.200
027289	15.400
027290	19.500
027291	24.700
027305	34.600

**MULTIPROP MP**  
**MULTIPROP MP 120**  
**MULTIPROP MP 250**  
**MULTIPROP MP 350**  
**MULTIPROP MP 480**  
**MULTIPROP MP 625**

Slab prop made of aluminium. Used as individual prop as well as in combination with MULTIPROP Frames MRK to form towers.

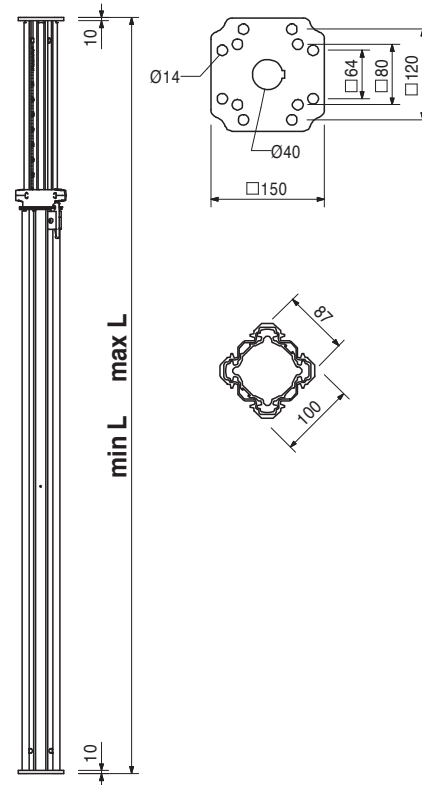
min. L	max. L
800	1200
1450	2500
1950	3500
2600	4800
4300	6250

**Note**

Approved by the German Building Authorities No. Z-8.312-824.

**Technical Data**

Permissible load: see PERI Design Tables.



# VARIODECK Steel Waler Slab Table

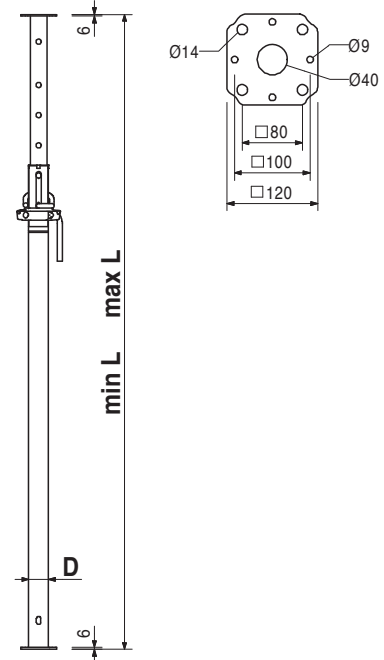
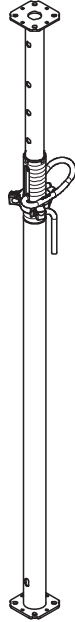


Item no.	Weight kg
103058	16.100
103059	19.600
103060	22.900
103061	30.600

**Slab Props PEP 20, galv.**  
**Slab Prop PEP 20-300, galv.**  
**Slab Prop PEP 20-350, galv.**  
**Slab Prop PEP 20-400, galv.**  
**Slab Prop PEP 20-500, galv.**  
 Slab prop made of steel.

D	min. L	max. L
Ø 66.0	1710	3000
Ø 71.5	1960	3500
Ø 75.5	2210	4000
Ø 84.0	2710	5000

**Note**  
 Permissible load: see PERI Design Tables.

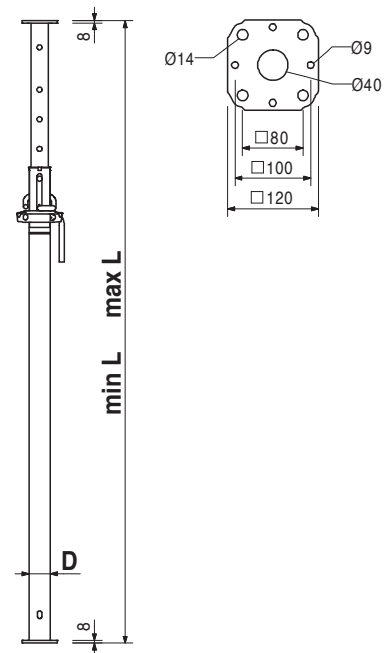
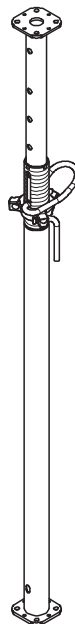


103066	10.800
103067	15.400
103062	19.000
103063	23.100
103065	27.500

**Slab Props PEP 30, galv.**  
**Slab Prop PEP 30-150, galv.**  
**Slab Prop PEP 30-250, galv.**  
**Slab Prop PEP 30-300, galv.**  
**Slab Prop PEP 30-350, galv.**  
**Slab Prop PEP 30-400, galv.**  
 Slab prop made of steel.

D	min. L	max. L
Ø 66.0	960	1500
Ø 66.0	1460	2500
Ø 71.5	1710	3000
Ø 75.5	1960	3500
Ø 84.0	2210	4000

**Note**  
 Permissible load: see PERI Design Tables.



# VARIODECK Steel Waler Slab Table

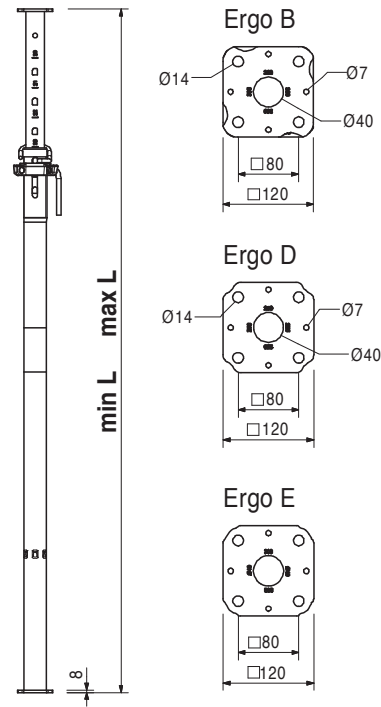
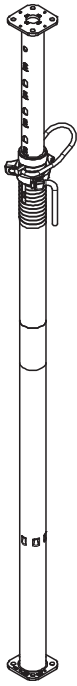


Item no.	Weight kg		D	min. L	max. L
116780	14.000	<b>Slab Props PEP Ergo</b>			
		<b>Slab Prop PEP Ergo B-300</b>	Ø 60.6	1970	3000
116790	15.600	<b>Slab Prop PEP Ergo B-350</b>	Ø 60.6	2250	3500
117230	9.110	<b>Slab Prop PEP Ergo D-150</b>	Ø 60.6	980	1500
116770	13.100	<b>Slab Prop PEP Ergo D-250</b>	Ø 60.6	1470	2500
125130	19.400	<b>Slab Prop PEP Ergo D-350</b>	Ø 71.0	2260	3500
125140	22.900	<b>Slab Prop PEP Ergo D-400</b>	Ø 76.5	2510	4000
125150	30.400	<b>Slab Prop PEP Ergo D-500</b>	Ø 83.0	3260	5000
125160	19.400	<b>Slab Prop PEP Ergo E-300</b>	Ø 76.5	1960	3000
125170	26.600	<b>Slab Prop PEP Ergo E-400</b>	Ø 83.0	2510	4000

Slab prop made of steel.

**Note**

Permissible load: see PERI Design Tables.



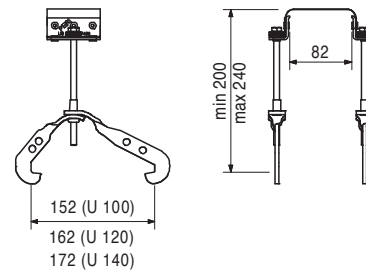
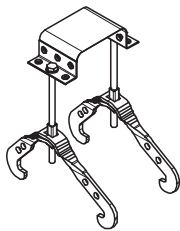
104931 0.865

**Hook Strap Uni HBU 20-24**

For fixing GT 24 Girders or VT 20 Girders to Steel Walers SRZ and SRU Profiles U100 – U140.

**Note**

The girders can be mounted at right-angles or diagonally to the steel walers and also outside of the nodes.



Accessories

024540 0.005

**TSS-Torx 6 x 40, galv.**

Item no.	Weight kg
107161	3.050

### Compression Brace Head MP/SRU

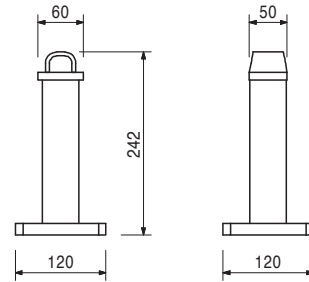
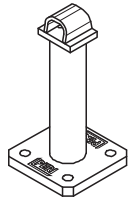
As connecting element between MULTIPROP Slab Props and Steel Waler SRU/SRZ.

### Note

Separate design information on request.

### Technical Data

Permissible load-bearing capacity 70 kN.



### Accessories

104031	0.462
018060	0.030
111142	0.082

### Fitting Pin Ø 21 x 120

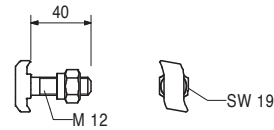
### Cotter Pin 4/1, galv.

### MULTIPROP Bolt with Nut

111142	0.082
--------	-------

### MULTIPROP Bolt with Nut

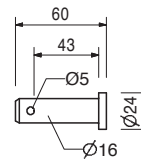
For connecting 2 MULTIPROP MP Slab Props, for connecting compression Brace Head MP/SRU and for the assembly of accessories on the Alu Beam MPB 24.



027170	0.102
--------	-------

### Pin Ø 16 x 42, galv.

For different connections.



### Accessories

018060	0.030
--------	-------

### Cotter Pin 4/1, galv.

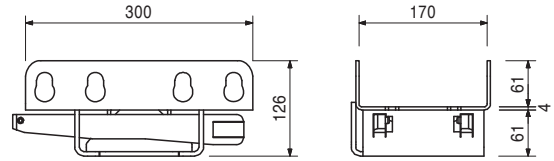
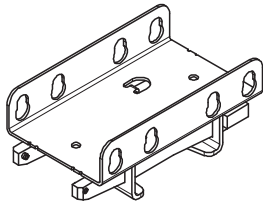
# VARIODECK Steel Waler Slab Table



Item no.	Weight kg
111506	7.330

## Table Head TK

Table head for assembly on GT 24 or VT 20 Girders. With wedge connections for mounting slab props up to Ø 89 mm.



### Accessories

111509	15.300
111508	16.500

## Tie Set TK 36-40, 20 pc.-Set

## Tie Set TK 44-48, 20 pc.-Set

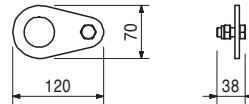
111266	0.274
--------	-------

## Tension Bracket TK, galv.

For bracing cantilevered slab tables with table Head TK. For securing to prevent tipping and transferring horizontal loads.

### Complete with

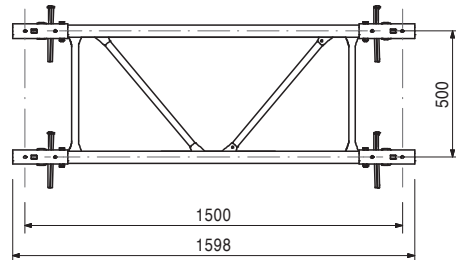
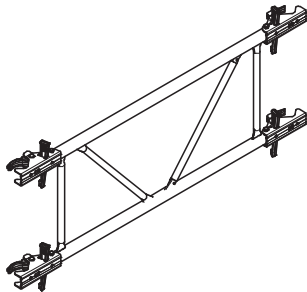
- 1 pc. 710381 Nut ISO 7042 M12-8, galv.
- 1 pc. 102120 Bolt ISO 4017 M12 x 30-8.8, galv.



111814	20.100
--------	--------

## PEP Frames PRK 150

Stiffening frame for PEP Slab Props. With captive wedge coupling!



018060	0.030
--------	-------

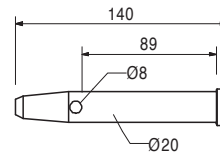
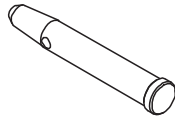
## Cotter Pin 4/1, galv.





Item no.	Weight kg
105400	0.330

**Pin Ø 20 x 140, galv.**  
For different connections.

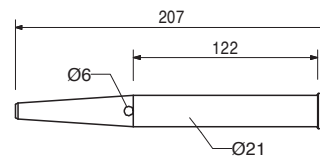
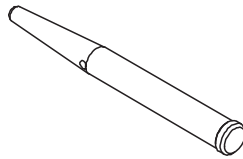


018060	0.030
--------	-------

Accessories  
**Cotter Pin 4/1, galv.**

104031	0.462
--------	-------

**Fitting Pin Ø 21 x 120**  
For different connections.

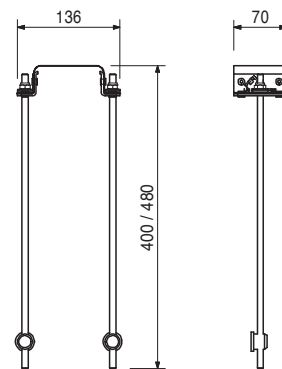
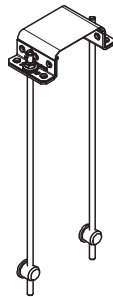


018060	0.030
--------	-------

Accessories  
**Cotter Pin 4/1, galv.**

111509	15.300
--------	--------

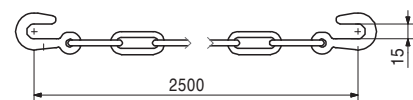
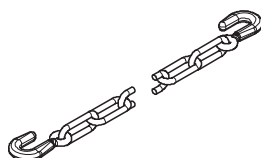
**Tie Set TK 36-40, 20 pc.-Set**  
For assembling the Table Head TK on Girders GT 24, VT 20 or timbers. 2 tension straps per Table Head TK.



065073	1.370
--------	-------

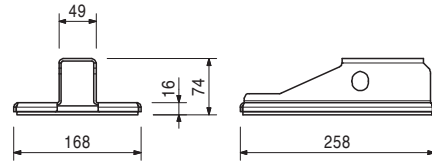
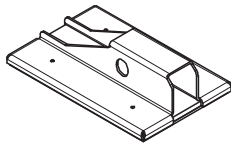
**Anchor Chain 3.0 kN, L = 2.5 m**

**Technical Data**  
Permissible tension force 3.0 kN.



Item no.	Weight kg
123796	2.020

## Supporting Plate VD



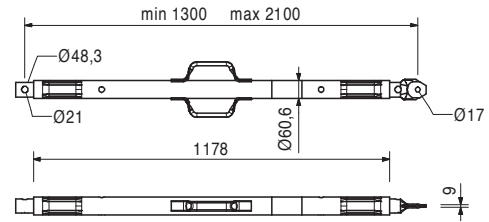
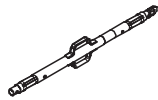
117466	10.600
--------	--------

## Push-Pull Prop RS 210, galv.

Extension length L = 1.30 – 2.10 m.  
For aligning PERI formwork systems and precast concrete elements.

### Note

Permissible load see PERI Design Tables.



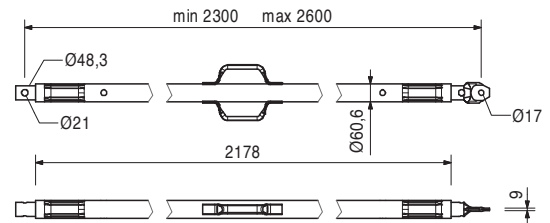
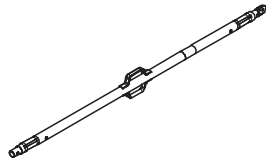
118238	12.100
--------	--------

## Push-Pull Prop RS 260, galv.

Extension length L = 2.30 – 2.60 m.  
For aligning PERI formwork systems and precast concrete elements.

### Note

Permissible load see PERI Design Tables.



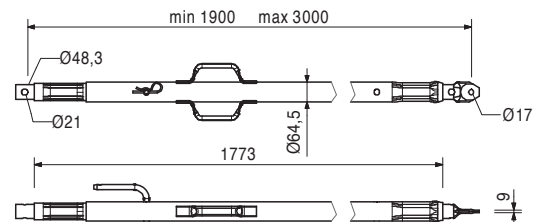
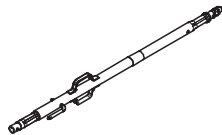
117467	15.500
--------	--------

## Push-Pull Prop RS 300, galv.

Extension length L = 1.90 – 3.00 m.  
For aligning PERI formwork systems and precast concrete elements.

### Note

Permissible load see PERI Design Tables.



# VARIODECK Steel Waler Slab Table



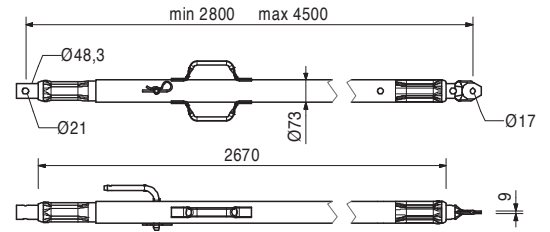
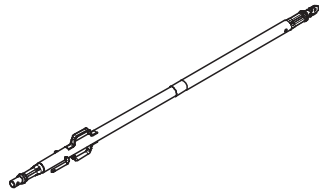
Item no.	Weight kg
117468	23.000

## Push-Pull Prop RS 450, galv.

Extension length L = 2.80 – 4.50 m.  
For aligning PERI formwork systems and precast concrete elements.

### Note

Permissible load see PERI Design Tables.



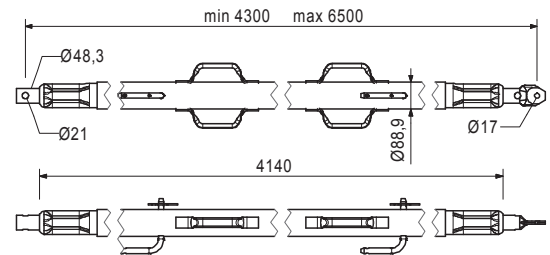
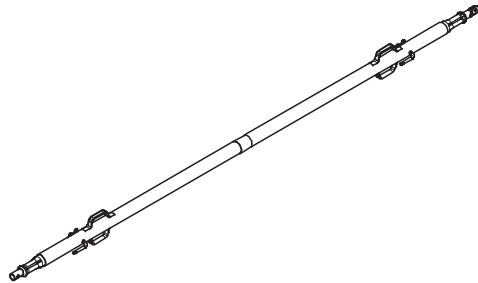
117469	39.900
--------	--------

## Push-Pull Prop RS 650, galv.

Extension length L = 4.30 – 6.50 m.  
For aligning PERI formwork systems and precast concrete elements.

### Note

Permissible load see PERI Design Tables.



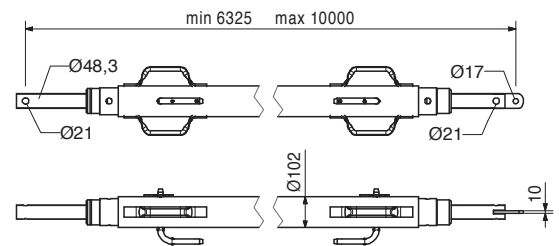
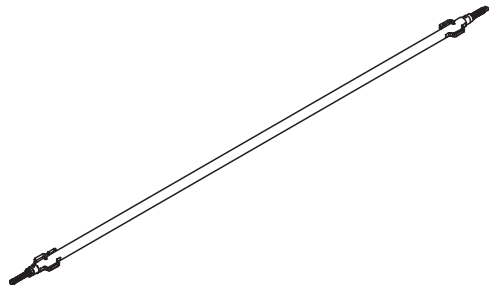
028990	115.000
--------	---------

## Push-Pull Prop RS 1000, galv.

Extension length L = 6.40 – 10.00 m.  
For aligning PERI formwork systems.

### Note

Permissible load see PERI Design Tables.



# VARIODECK Steel Waler Slab Table



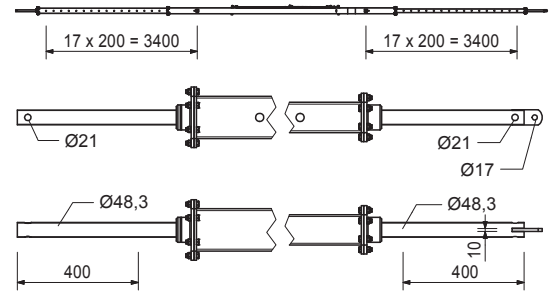
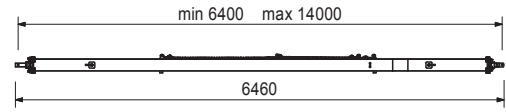
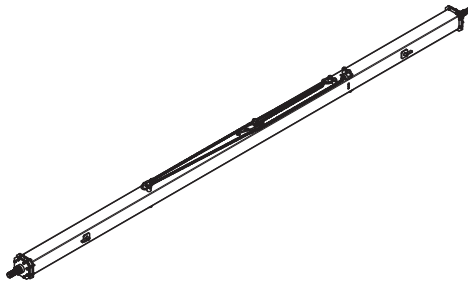
Item no.	Weight kg
103800	271.000

## Push-Pull Prop RS 1400, galv.

Extension length  $l = 6.40 - 14.00$  m.  
For aligning PERI formwork systems.

### Note

Permissible load see PERI Design Tables.  
Chain can be operated from bottom.



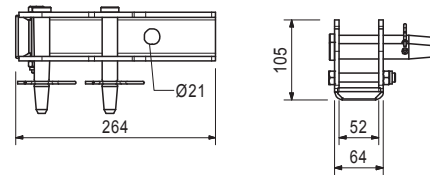
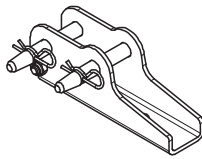
126666	3.070
--------	-------

## Base Plate-3 for RS 210 - 1400

For assembly of Push-Pull Props RS 210, 260, 300, 450, 650, 1000 and 1400.

### Complete with

- 2 pc. 105400 Pin  $\varnothing 20 \times 140$ , galv.
- 2 pc. 018060 Cotter Pin 4/1, galv.
- 1 pc. 113063 Bolt ISO 4014 M12  $\times$  80-8.8, galv.
- 1 pc. 113064 Hex Nut ISO7042-M12-8-G, galv.



Accessories

124777	0.210
--------	-------

## Anchor Bolt PERI 14/20 x 130

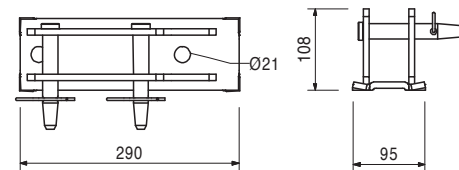
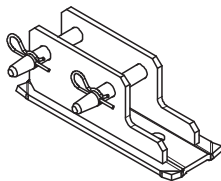
102018	4.880
--------	-------

## Base Plate-2 for RS 1000/1400, galv.

For assembly of Push-Pull Props RS 210, 260, 300, 450, 650, 1000, 1400 and Heavy Duty Spindles.

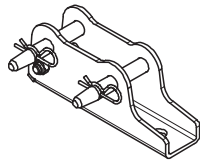
### Complete with

- 2 pc. 105400 Pin  $\varnothing 20 \times 140$ , galv.
- 2 pc. 018060 Cotter Pin 4/1, galv.

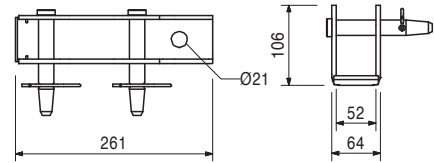


Item no.	Weight kg
117343	3.250

**Base Plate-2 for RS 210 - 1400, galv.**  
For assembly of Push-Pull Props RS 210, 260, 300, 450, 650, 1000 and 1400.



**Complete with**  
2 pc. 105400 Pin  $\varnothing$  20 x 140, galv.  
2 pc. 018060 Cotter Pin 4/1, galv.



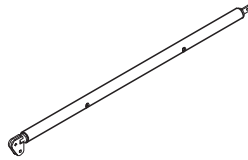
Accessories

124777	0.210
--------	-------

**Anchor Bolt PERI 14/20 x 130**

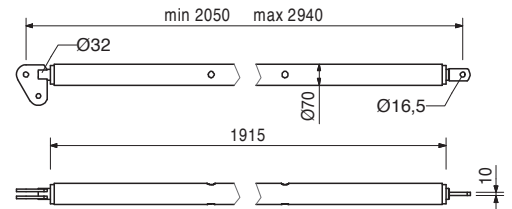
028010	17.900
--------	--------

**Push-Pull Prop RSS I**  
Extension length  $l = 2.05 - 2.94$  m.  
For aligning PERI formwork systems.



**Note**

Permissible load see PERI Design Tables.



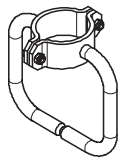
Accessories

113397	1.600
--------	-------

**Spindle Handle RSS / AV**

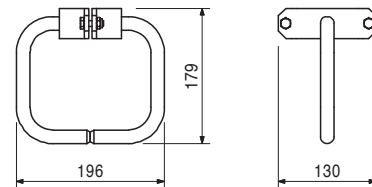
113397	1.600
--------	-------

**Spindle Handle RSS / AV**  
Spindle handle for screwing on Push-Pull-Props RSS I, RSS II and Kickers AV 210 and AV RSS III.



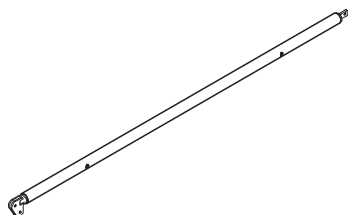
**Complete with**

2 pc. 722342 Screw ISO 4017 M8 x 25-8.8, galv.  
2 pc. 711071 Nut ISO 7042 M8-8, galv.



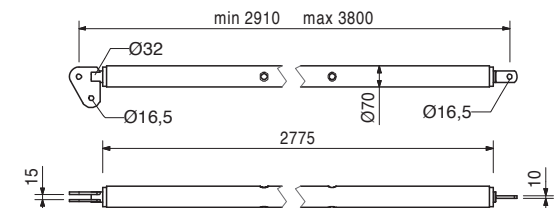
028020	22.000
--------	--------

**Push-Pull Prop RSS II**  
Extension length  $l = 2.91 - 3.80$  m.  
For aligning PERI formwork systems.



**Note**

Permissible load see PERI Design Tables.



Accessories

113397	1.600
--------	-------

**Spindle Handle RSS / AV**

# VARIODECK Steel Waler Slab Table



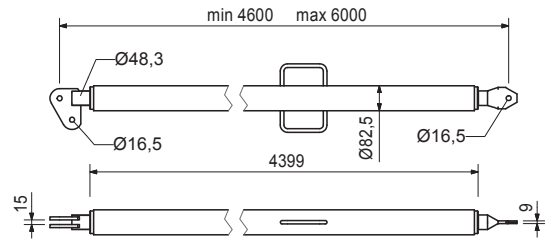
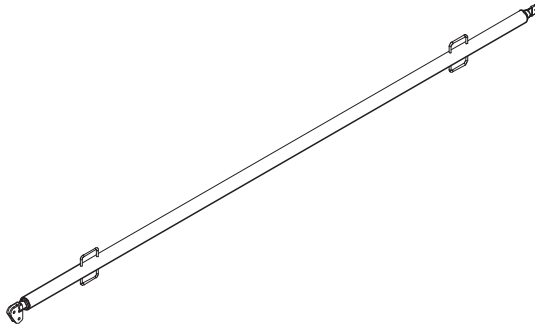
Item no.	Weight kg
028030	38.400

## Push-Pull Prop RSS III

Extension length L = 4.60 – 6.00 m.  
For aligning PERI formwork systems.

### Note

Permissible load see PERI Design Tables.



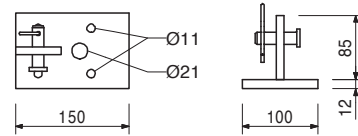
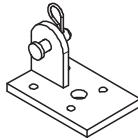
106000	1.820
--------	-------

## Base Plate-2 for RSS, galv.

For assembly of Push-Pull Props RSS.

### Complete with

1 pc. 027170 Pin Ø 16 x 42, galv.  
1 pc. 018060 Cotter Pin 4/1, galv.



124777	0.210
--------	-------

Accessories

## Anchor Bolt PERI 14/20 x 130

057087	3.720
057088	4.410

## Kickers AV Kicker AV 82 Kicker AV 111

For aligning PERI formwork systems.

**min. L**      **max. L**

500            820

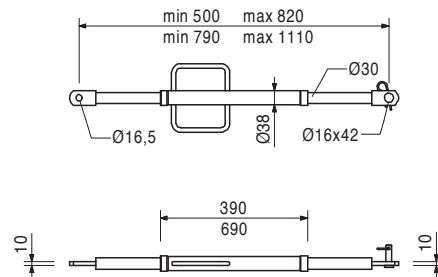
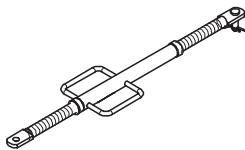
790            1110

### Complete with

1 pc. 027170 Pin Ø 16 x 42, galv.  
1 pc. 018060 Cotter Pin 4/1, galv.

### Note

Permissible load see PERI Design Tables.



# VARIODECK Steel Waler Slab Table

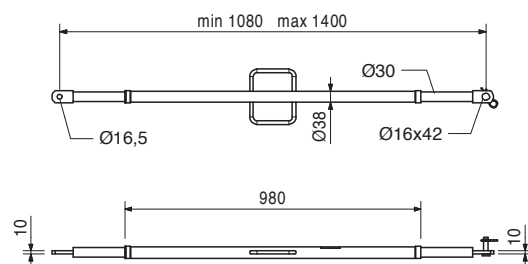
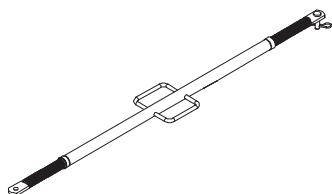


Item no.	Weight kg
028110	5.180

**Kicker AV 140**  
 Extension length L = 1.08 – 1.40 m.  
 For aligning PERI formwork systems.

**Complete with**  
 1 pc. 027170 Pin Ø 16 x 42, galv.  
 1 pc. 018060 Cotter Pin 4/1, galv.

**Note**  
 Permissible load see PERI Design Tables.

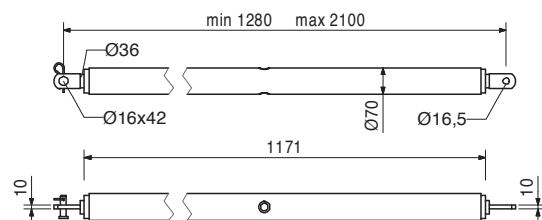
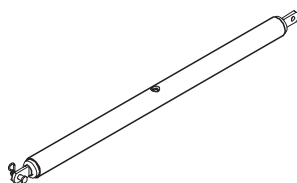


108135	12.900
--------	--------

**Kicker AV 210**  
 Extension length L = 1.28 – 2.10 m.  
 For aligning PERI formwork systems.

**Complete with**  
 1 pc. 027170 Pin Ø 16 x 42, galv.  
 1 pc. 018060 Cotter Pin 4/1, galv.

**Note**  
 Permissible load see PERI Design Tables.



Accessories

113397	1.600
--------	-------

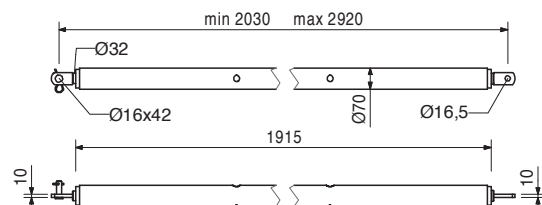
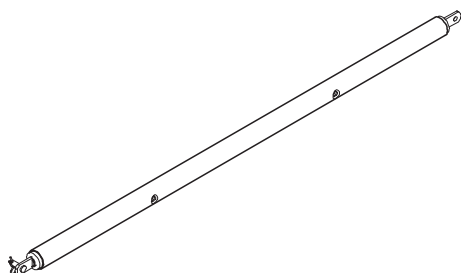
**Spindle Handle RSS / AV**

028120	17.000
--------	--------

**Kicker AV RSS III**  
 Extension length L = 2.03 – 2.92 m.  
 For aligning PERI formwork systems.

**Complete with**  
 1 pc. 027170 Pin Ø 16 x 42, galv.  
 1 pc. 018060 Cotter Pin 4/1, galv.

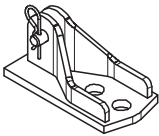
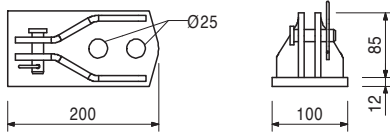
**Note**  
 Permissible load see PERI Design Tables.

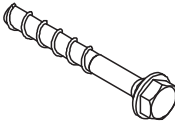
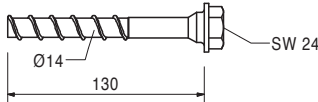


Accessories

113397	1.600
--------	-------

**Spindle Handle RSS / AV**

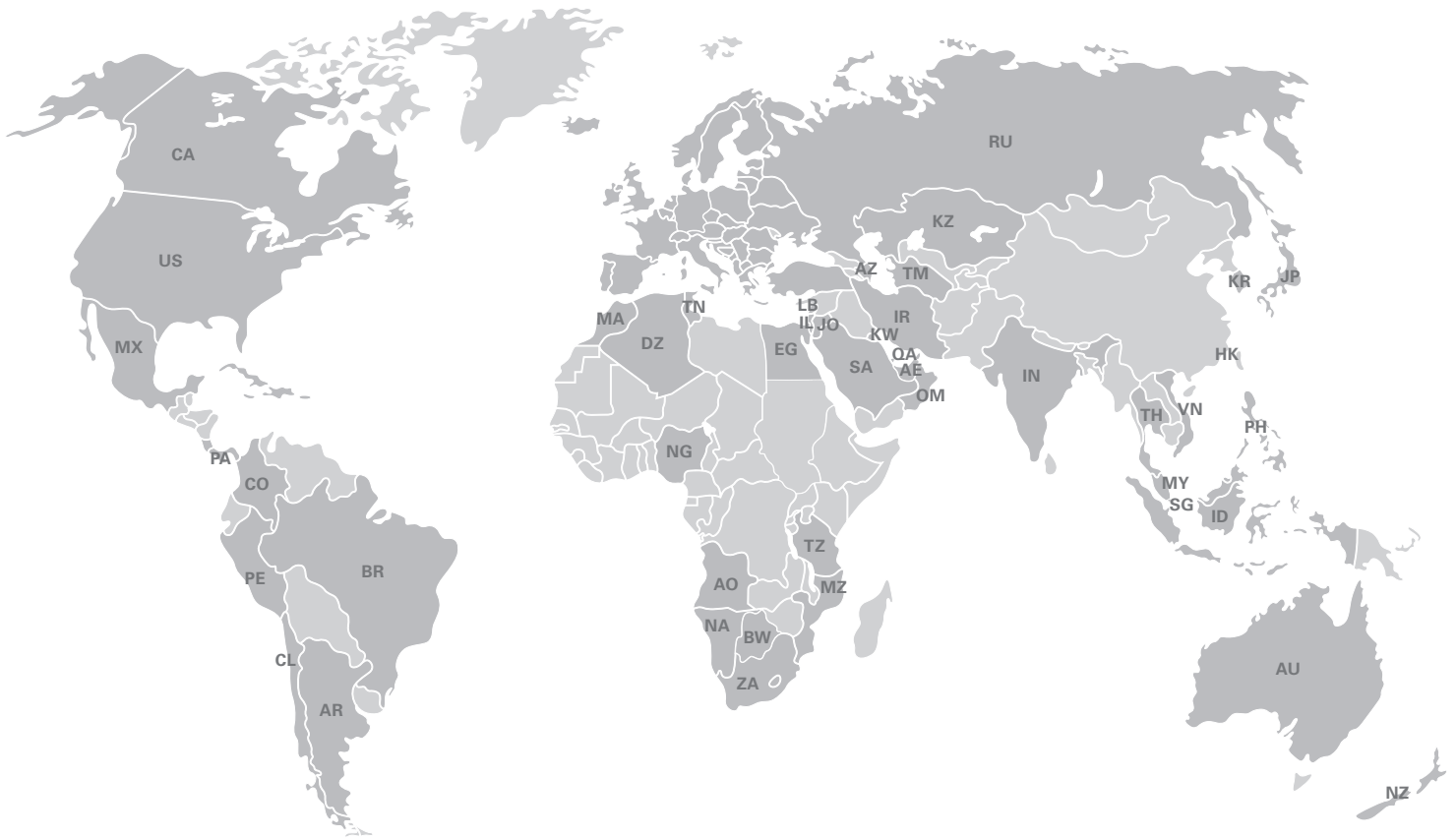
Item no.	Weight kg		
028080	2.970	<p><b>Connector Kicker/Push-Pull Prop, galv.</b> For connecting push-pull props and kicker braces to Main Beam HDT.</p> 	<p><b>Complete with</b> 1 pc. 018060 Cotter Pin 4/1, galv. 1 pc. 027170 Pin Ø 16 x 42, galv.</p> 

124777	0.210	<p><b>Anchor Bolt PERI 14/20 x 130</b> For temporary fixation to reinforced concrete structures.</p> 	<p><b>Note</b> See PERI data sheet! Drilling Ø 14 mm.</p> 
--------	-------	--	--





# PERI International



## North America

- CA** Canada  
PERI Formwork Systems, Inc.  
[www.peri.ca](http://www.peri.ca)
- MX** Mexico  
PERI Cimbras y Andamios, S.A. de C.V.  
[www.peri.com.mx](http://www.peri.com.mx)
- PA** Panama  
PERI Panama Inc.  
[www.peri.com.pa](http://www.peri.com.pa)
- US** USA  
PERI Formwork Systems, Inc.  
[www.peri-usa.com](http://www.peri-usa.com)

## South America

- AR** Argentina  
PERI S.A.  
[www.peri.com.ar](http://www.peri.com.ar)
- BR** Brazil  
PERI Formas e Escoramentos Ltda.  
[www.peribrasil.com.br](http://www.peribrasil.com.br)
- CL** Chile  
PERI Chile Ltda.  
[www.peri.cl](http://www.peri.cl)
- CO** Colombia  
PERI S.A.S.  
[www.peri.com.co](http://www.peri.com.co)
- PE** Peru  
PERI Peruana S.A.C.  
[www.peri.com.pe](http://www.peri.com.pe)

## Africa

- AO** Angola  
Pericofragens, Lda.  
[www.peri.pt](http://www.peri.pt)
- DZ** Algeria  
S.A.R.L. PERI  
[www.peri.dz](http://www.peri.dz)
- BW** Botswana  
PERI (Proprietary) Limited  
[www.peri.co.bw](http://www.peri.co.bw)
- EG** Egypt  
Egypt Branch Office  
[www.peri.com.eg](http://www.peri.com.eg)
- MA** Morocco  
PERI S.A.  
[www.peri.ma](http://www.peri.ma)
- MZ** Mozambique  
PERI (Pty.) Ltd.  
[www.peri.co.mz](http://www.peri.co.mz)
- NA** Namibia  
PERI (Pty.) Ltd.  
[www.peri.na](http://www.peri.na)
- NG** Nigeria  
PERI Nigeria Ltd.  
[www.peri.ng](http://www.peri.ng)
- TN** Tunisia  
PERI S.A.U.  
[www.peri.es](http://www.peri.es)
- TZ** Tanzania  
PERI Formwork and Scaffolding Ltd  
[www.peritanzania.com](http://www.peritanzania.com)
- ZA** South Africa  
PERI Formwork Scaffolding (Pty) Ltd  
[www.peri.co.za](http://www.peri.co.za)

## Asia

- AE** United Arab Emirates  
PERI (L.L.C.)  
[www.perime.com](http://www.perime.com)
- AZ** Azerbaijan  
PERI Representative Office  
[www.peri.com.tr](http://www.peri.com.tr)
- HK** Hong Kong  
PERI (Hong Kong) Limited  
[www.perihk.com](http://www.perihk.com)
- ID** Indonesia  
PT Beton Perkasa Wijaksana  
[www.betonperkasa.com](http://www.betonperkasa.com)
- IL** Israel  
PERI F.E. Ltd.  
[www.peri.co.il](http://www.peri.co.il)
- IN** India  
PERI (India) Pvt Ltd  
[www.peri.in](http://www.peri.in)
- IR** Iran  
PERI Pars. Ltd.  
[www.peri.ir](http://www.peri.ir)
- JO** Jordan  
PERI GmbH – Jordan  
[www.peri.com](http://www.peri.com)
- JP** Japan  
PERI Japan K.K.  
[www.perijapan.jp](http://www.perijapan.jp)
- KR** Korea  
PERI (Korea) Ltd.  
[www.perikorea.com](http://www.perikorea.com)
- KW** Kuwait  
PERI Kuwait W.L.L.  
[www.peri.com.kw](http://www.peri.com.kw)
- KZ** Kazakhstan  
TOO PERI Kazakhstan  
[www.peri.kz](http://www.peri.kz)
- LB** Lebanon  
PERI Lebanon Sarl  
[lebanon@peri.de](mailto:lebanon@peri.de)
- MY** Malaysia  
PERI Formwork Malaysia Sdn. Bhd.  
[www.perimalaysia.com](http://www.perimalaysia.com)
- OM** Oman  
PERI (L.L.C.)  
[www.perime.com](http://www.perime.com)
- PH** Philippines  
PERI-Asia Philippines, INC.  
[www.peri.com.ph](http://www.peri.com.ph)
- QA** Qatar  
PERI Qatar LLC  
[www.peri.qa](http://www.peri.qa)
- SA** Saudi Arabia  
PERI Saudi Arabia Ltd.  
[www.peri.com.sa](http://www.peri.com.sa)
- SG** Singapore  
PERI Asia Pte Ltd  
[www.periasia.com](http://www.periasia.com)
- TM** Turkmenistan  
PERI Kalıp ve İşkeleleri  
[www.peri.com.tr](http://www.peri.com.tr)
- TH** Thailand  
Peri (Thailand) Co., Ltd.  
[www.peri.co.th](http://www.peri.co.th)
- VN** Vietnam  
PERI ASIA PTE LTD  
[www.peri.com.vn](http://www.peri.com.vn)

**PERI**

**PERI GmbH**  
**Formwork Scaffolding Engineering**  
Rudolf-Diesel-Strasse 19  
89264 Weissenhorn  
Germany  
Tel. +49 (0)7309.950-0  
Fax +49 (0)7309.951-0  
info@peri.com  
www.peri.com



## Oceania

**AU** Australia  
PERI Australia Pty. Ltd.  
www.periaus.com.au

**NZ** New Zealand  
PERI Australia Pty. Limited  
www.peri.co.nz

## Europe

**AL** Albania  
PERI Kalıp ve İskeleleri  
www.peri.com.tr

**AT** Austria  
PERI Ges.mbH  
www.peri.at

**BA** Bosnia and Herzegovina  
PERI oplate i skele d.o.o  
www.peri.com.hr

**BE** Belgium  
N.V. PERI S.A.  
www.peri.be

**BG** Bulgaria  
PERI Bulgaria EOOD  
www.peri.bg

**BY** Belorussia  
IOOO PERI  
www.peri.by

**CH** Switzerland  
PERI AG  
www.peri.ch

**CZ** Czech Republic  
PERI spol. s r.o.  
www.peri.cz

**DE** Germany  
PERI GmbH  
www.peri.de

**DK** Denmark  
PERI Danmark A/S  
www.peri.dk

**EE** Estonia  
PERI AS  
www.peri.ee

**ES** Spain  
PERI S.A.U.  
www.peri.es

**FI** Finland  
PERI Suomi Ltd. Oy  
www.perisuomi.fi

**FR** France  
PERI S.A.S.  
www.peri.fr

**GB** United Kingdom  
PERI Ltd.  
www.peri.ltd.uk

**GR** Greece  
PERI Hellas Ltd.  
www.perihellas.gr

**HR** Croatia  
PERI oplate i skele d.o.o.  
www.peri.com.hr

**HU** Hungary  
PERI Kft.  
www.peri.hu

**IR** Ireland  
Siteserv Access & Formwork  
www.siteservaccess.ie

**IS** Iceland  
Armar ehf.  
www.armor.is

**IT** Italy  
PERI S.r.l.  
www.peri.it

**LT** Lithuania  
PERI UAB  
www.peri.lt

**LU** Luxembourg  
N.V. PERI S.A.  
www.peri.lu

**LV** Latvia  
PERI SIA  
www.peri-latvija.lv

**NL** Netherlands  
PERI B.V.  
www.peri.nl

**NO** Norway  
PERI Norge AS  
www.peri.no

**PL** Poland  
PERI Polska Sp. z o.o.  
www.peri.com.pl

**PT** Portugal  
Pericofragens Lda.  
www.peri.pt

**RO** Romania  
PERI România SRL  
www.peri.ro

**RS** Serbia  
PERI oplate d.o.o.  
www.peri.rs

**RU** Russia  
OOO PERI  
www.peri.ru

**SE** Sweden  
PERI Sverige AB  
www.peri.se

**SI** Slovenia  
PERI oplate i skele d.o.o  
www.peri.com.hr

**SK** Slovakia  
PERI spol. s r.o.  
www.peri.sk

**TR** Turkey  
PERI Kalıp ve İskeleleri  
www.peri.com.tr

**UA** Ukraine  
TOW PERI  
www.peri.ua

**The optimal System  
for every Project and  
every Requirement**



**Wall Formwork**



**Column Formwork**



**Slab Formwork**



**Climbing Systems**



**Bridge Formwork**



**Tunnel Formwork**



**Shoring Systems**



**Construction Scaffold**



**Facade Scaffold**



**Industrial Scaffold**



**Access**



**Protection Scaffold**



**Safety Systems**



**System-Independent Accessories**



**Services**



**PERI GmbH**  
**Formwork Scaffolding Engineering**  
 Rudolf-Diesel-Strasse 19  
 89264 Weissenhorn  
 Germany  
 Tel. +49 (0)7309.950-0  
 Fax +49 (0)7309.951-0  
 info@peri.com  
 www.peri.com