

# VARIODECK

## Steel Waler Slab Tables



Edition 04/2010

**PERI GmbH**  
**Formwork Scaffolding Engineering**

P.O. Box 1264  
89259 Weissenhorn  
Germany  
Tel +49 (0)73 09.9 50-0  
Fax +49 (0)73 09.9 51-0  
info@peri.com  
www.peri.com

**Important Notes:**

Without exception, all current safety regulations must be observed in those countries where our products are used.

The illustrations in this brochure are photographs of real site situations. Safety or anchor details are therefore not to be taken as a definitive guide to the way the equipment is to be used.

Safety instructions and load specifications are to be strictly observed at all times. Separate structural calculations are required for any deviations from the standard design data.

The information contained herein is subject to technical changes in the interests of progress. Errors and typographical mistakes reserved.

# Content

	<b>VARIDECK Steel Waler Slab Tables</b>
2	Large forming areas moved quickly
4	Refined details for faster forming
6	Moving, vertically and horizontally
7	ML Material Lifter, RCS Landing Platform
8	Beams
9	Tables
10	Components
20	PERI International

# VARIODECK Steel Waler Slab Table

## Large forming areas moved quickly

### The PERI VARIODECK Steel Waler Slab Table is the consistent further development of the VT Table Module.

The longitudinal Steel Waler SRU, Profile U 120, allows large cantilevers and can accommodate heavy prefabricated parts, e.g. parapet elements.

Through the use of the tables at the slab edge, the working platform is already integrated in the system and no additional platform is required.

#### ■ Table size up to 15.90 m<sup>2</sup> with only 4 slab props

The table size of 2.50/2.65 x 6.00 m is an important factor regarding the shuttering times because 15.90 m<sup>2</sup> of slab formwork can then be moved.

The following table sizes are available:

#### ■ Table length 6.00 m

Width 2.00/2.15 m and 2.50/2.65 m

#### ■ Table length 4.00 m

Width 2.00/2.15 m and 2.50/2.65 m

#### ■ Slab thicknesses up to 50 cm

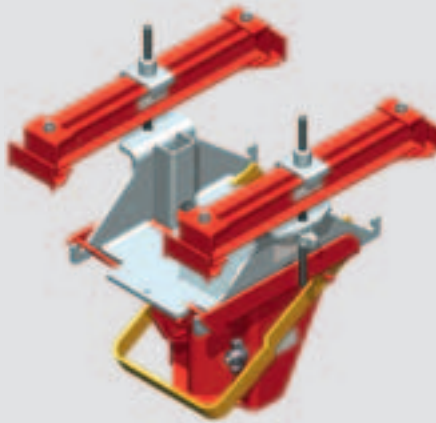
VARIODECK tables are used for slabs up to 50 cm thick and always require only 4 slab props. This corresponds to a maximum 4.0 m<sup>2</sup> of slab area per prop. If necessary, thicker slabs can also be formed with correspondingly more support.



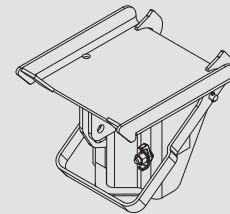
VARIODECK steel waler slab table with dimensions of 2.50/2.65 x 6.00 m requires only 4 slab props. This corresponds to a maximum 4 m<sup>2</sup> of slab per prop.

■ **Table Swivel Head**

With the VARIODECK Swivel Head, the props are simply folded up when moving the slab tables. The head also allows assembly of, e.g. trapezoidal tables, with all PERI wooden formwork girders and SRU walers in different combinations. The mounting of MP or PEP slab props results in a very rigid connection and thus allows maximum load transfer.



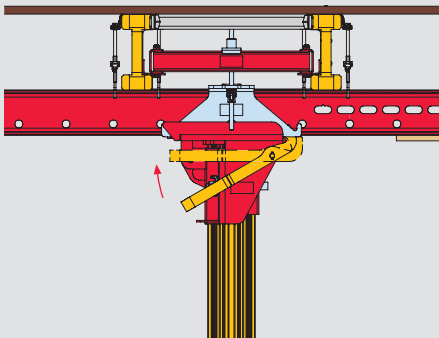
The separating of the VARIODECK swivel head allows sequenced forming operations. The lower part of the table swivel head can be mounted in advance on the slab props.



**Table Swivel Head, Lower Part**  
Item no. 100956

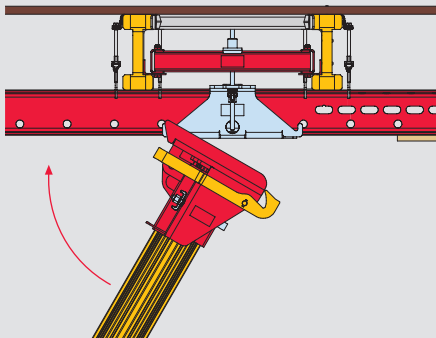
■ **Table Swivel Head folding sequence**

For moving over parapets or moving under beams.



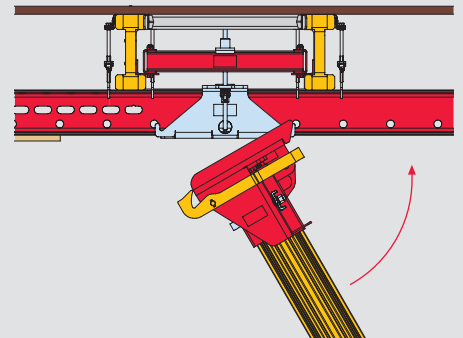
**1. Pivot up bar**

A board can be used to reach higher tables from the slab below.



**2. Fold up prop**

The table can now be moved out. The swivel head's bar re-locks when the prop is allowed to swing down again.

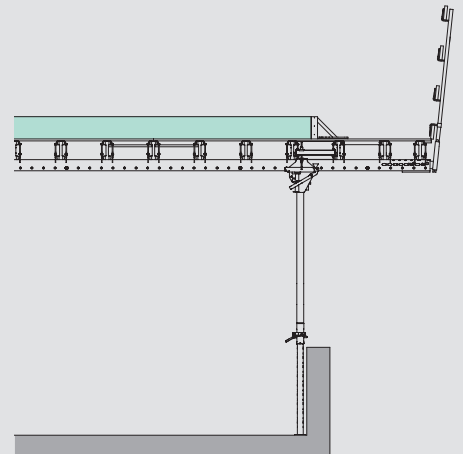
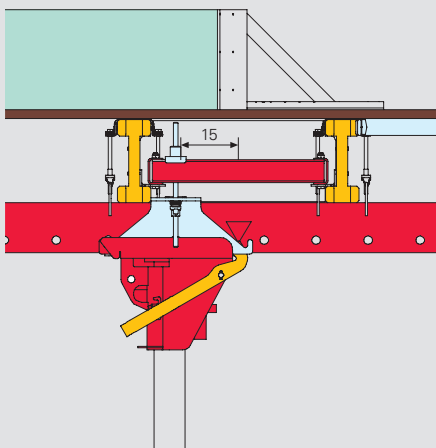


**Folding direction**

The VARIODECK swivel head allows the slab prop to be pivoted in both directions.

■ **Flexible adaptation with the Table Swivel Head**

The table Schwenkkopf is continuously adjustable by  $\pm 15$  cm and can be moved from field to field. This allows perfect adaptation to static and geometrical requirements.



With a minimum of effort, the lower part of the table swivel head can be moved together with the slab prop by  $\pm 15$  cm.

# VARIODECK Steel Waler Slab Tables

## Refined details for faster forming

The VARIODECK steel waler slab table is a useful supplement to the PERI slab table programme. Large, rentable slab tables are available with the new Swivel Head VD.



### ■ Slab props, falsework

Depending on the slab thickness, PEP or the high load-bearing MULTIPROP MP props (MP 625 max. L = 6.25 m) are used.

For larger room heights, the rentable PERI load-carrying systems MULTIPROP or PERI UP Rosett can be utilised.



### ■ Maximum utilisation height

MULTIPROP system max. H = 14.40 m  
PERI UP Rosett max. H = 21.89 m

### ■ Robust construction

The new edge protector prevents damaging the formlining when moving the tables with standard construction site lifting chains.

The steel cap and rounded web make the PERI VT 20K girder extremely robust and durable.



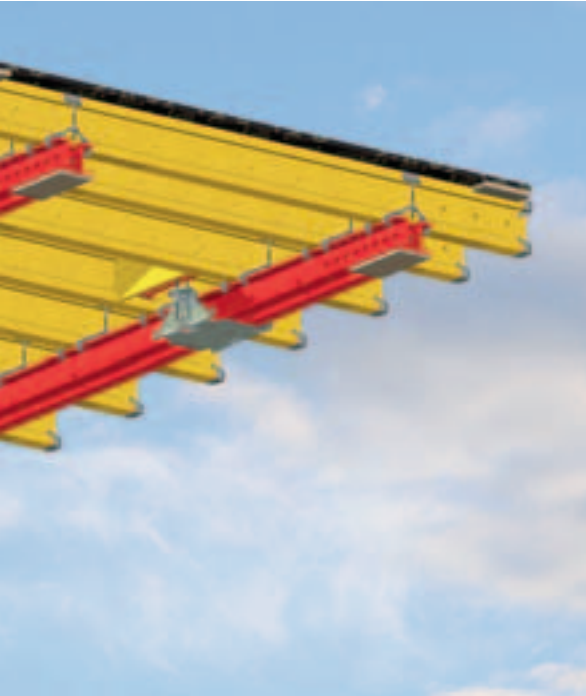
The securely-mounted edge protector provides reliable protection against damage to the formlining.

### ■ Transportation

Due to the low overall height of only 36 cm, 20% less transportation and storage volumes are required than for slab tables with main beams consisting of 20" wooden girders. The securely-mounted support timbers provide the necessary protection for the formlining when stacked and during transport.



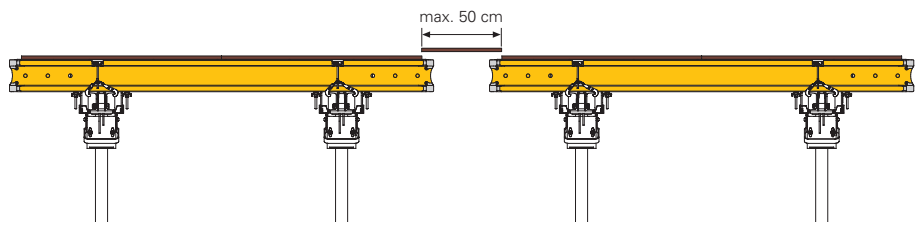
14 VD 250/265 x 600 tables, 223 m<sup>2</sup>, are transportable on one truck.



VARIODECK slab tables are completely pre-assembled with edge protector and stacking timbers on the SRU steel waler.

■ **Simple width compensation**

Formlining for the filler areas can easily be installed on the 7.5 cm girder cantilever without any accessories. Infill areas up to 50 cm wide are taken into consideration in the tables.



■ **Connecting accessories**

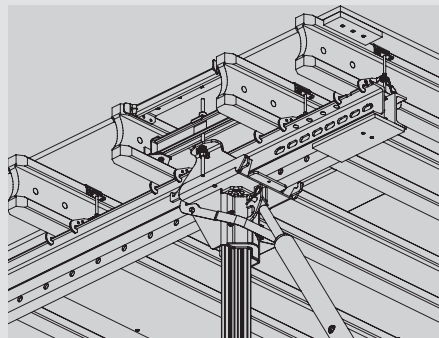
The VARIODECK table provides simple connection solutions for accessories such as the guardrail post, STLB tension belt, tensioning chain or push-pull prop on slab edge tables.

■ **Bracing slab tables**

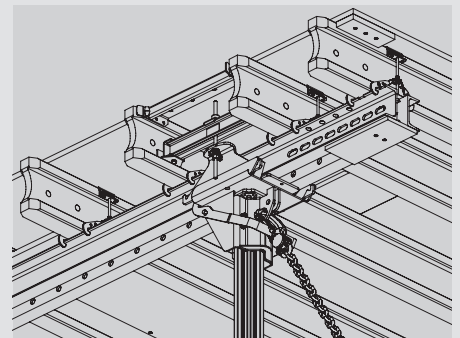
If the VD tables are cantilevered on the slab edge, bracing must be attached as a safeguard against tipping on the other end of the table. In addition, this bracing must accommodate the horizontal forces from the slab stopend formwork.



By means of the Guardrail Holder SRU/SRZ and the Guardrail Post SGP, guardrails on the slab edge are mounted.



Bracing with Push-Pull Prop RS.



Bracing with Tension Belt STLB or chain.

# VARIODECK Steel Waler Slab Tables

## Moving, vertically and horizontally

### ■ Vertical movement of the table

The tables are transported from floor to floor by means of the PERI lifting fork. The integrated compensation mechanism ensures that the fork remains in a horizontal position when loaded and unloaded.

This ensures a high degree of safety during forming because switching from an "unloaded to loaded" status is not required.

The Lifting Fork 1.75 t/8,0 m for moving the 6.00 m long VD slab tables.



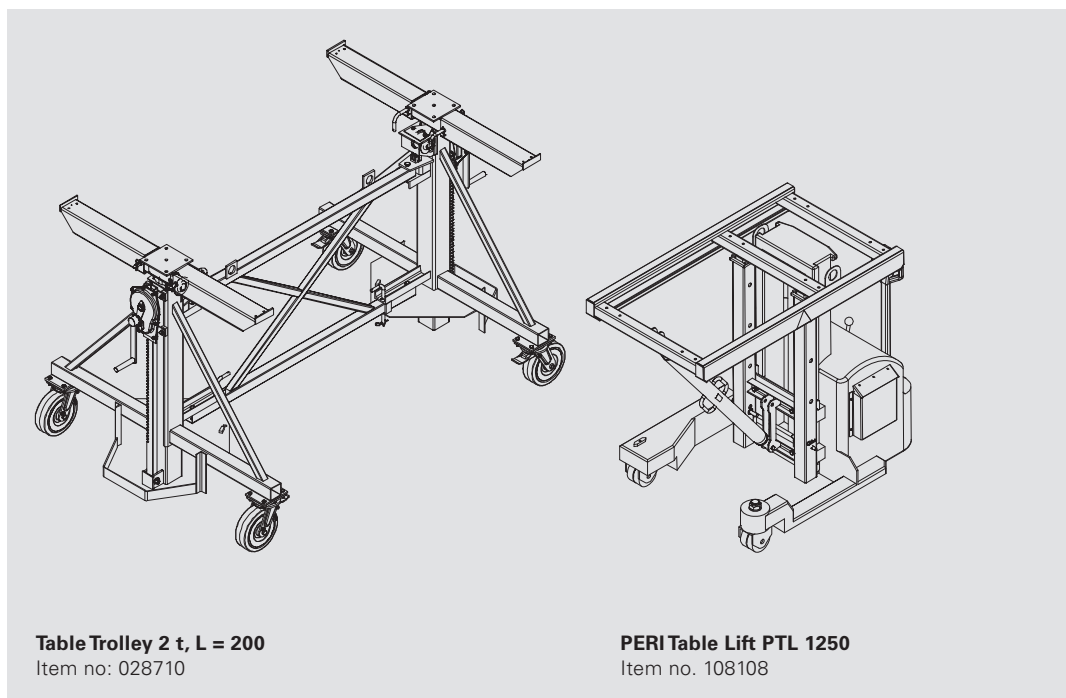
### ■ Horizontal movement of the table

When horizontally moving the tables, the Table Trolley 2 t or the Table Lift Truck PTL 1250 are used. The latter offers fatigue-free and comfortable working procedures due to the electric drive and the hydraulic lifting device.

VARIODECK tables are moved on the MULTIPROP system with the trolley and winch unit, and by means of the Rosett transportation wheel if on PERI UP shoring.

#### The PERI Table Lift PTL 1250

- One-man operation.
- Flexible manoeuvring due to the 4-way directional drive.
- Simple changeover 0° - 90° to transversal moving by means of control lever.
- Slab tables up to a weight of 1250 kg can be safely moved.



**Table Trolley 2 t, L = 200**  
Item no: 028710

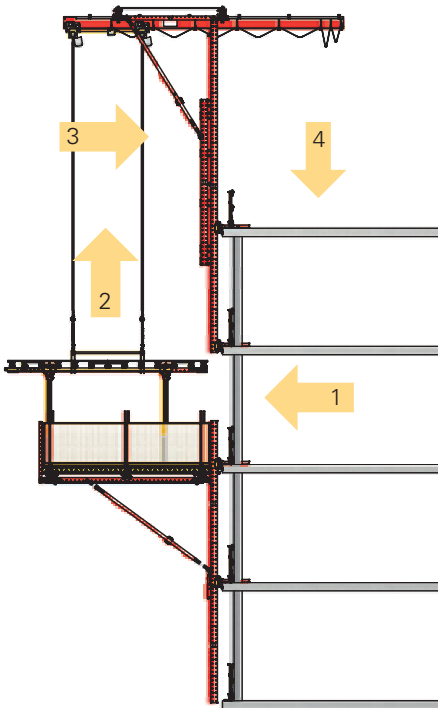
**PERI Table Lift PTL 1250**  
Item no. 108108



# ML Material Lifter, RCS Landing Platform

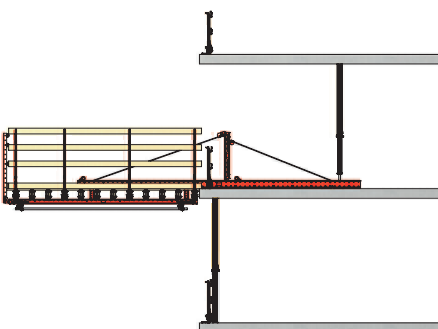
■ **RCS ML Material Lifter for crane-independent moving of PERI slab tables.**

It allows moving over several floors, e.g. when using 2 sets of formwork.



■ **RCS Landing Platform for moving slab tables with the crane.**

The platform can be freely positioned at any place in the building.

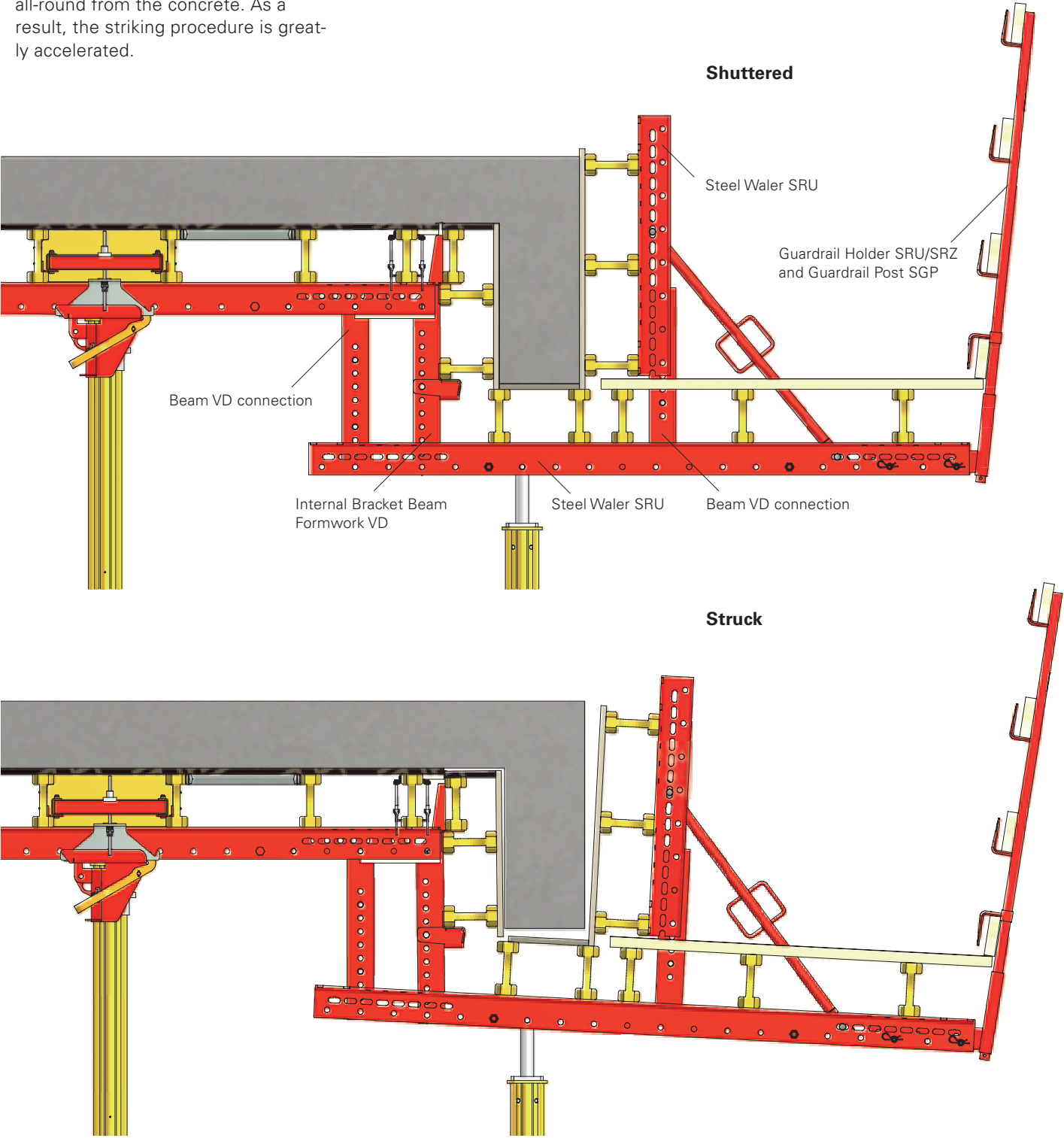


# VARIODECK Steel Waler Slab Tables

## Beams

■ **Beams**

The new VD beam system can be attached to the VARIODECK slab tables. When lowering the props, the formwork separates automatically and all-round from the concrete. As a result, the striking procedure is greatly accelerated.



# Tables

## Existing prop loads [kN]

Table VD L = 6.00 m	VD 200/215 x 600		VD 250/265 x 600	
Slab Thickness [m]	Width of Influence EB [m]			
	0,20	2,20	2,70	2,70
0,25	23,4	28,8	28,8	33,6
0,30	27,5	33,7	33,7	39,4
0,35	31,5	38,7	38,7	45,2
0,40	36,0	44,2	44,2	51,5
0,45	40,5	49,7	49,7	57,9
0,50	44,9	55,1	55,1	64,3
0,50	49,4	60,6	60,6	70,7

Table VD L = 4.00 m	VD 200/215 x 600		VD 250/265 x 600	
Slab Thickness [m]	Width of Influence EB [m]			
	0,20	2,20	2,70	2,70
0,25	15,6	19,2	19,2	22,4
0,30	18,3	22,5	22,5	26,2
0,35	21,0	25,8	25,8	30,1
0,40	24,0	29,5	29,5	34,4
0,45	27,0	33,1	33,1	38,6
0,45	29,9	36,8	36,8	42,9
0,50	32,9	40,4	40,4	47,1

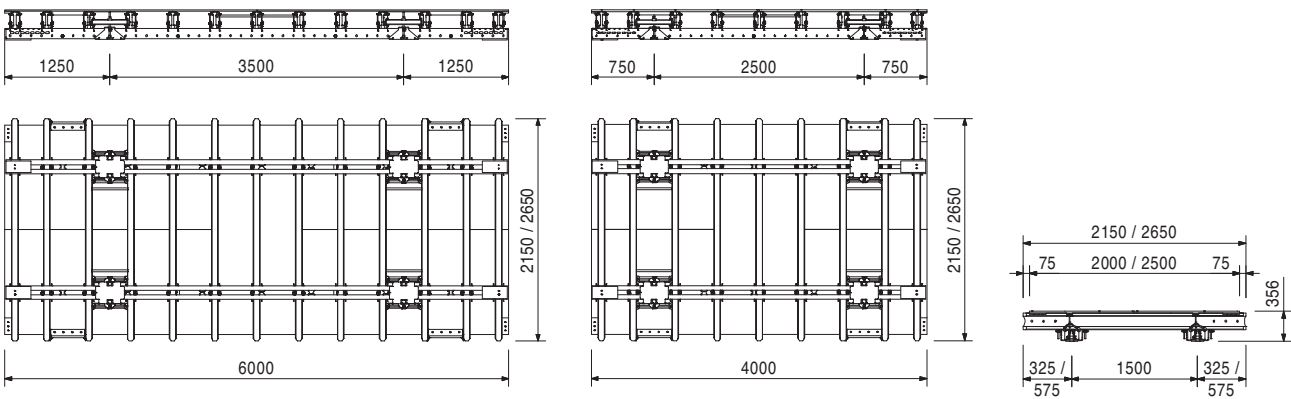
## Load according to DIN EN 12812:

- Dead load  $Q_1$  = 0,25 kN/m<sup>2</sup>
- Concrete load  $Q_{2,b}$  = 24,5 kN/m<sup>3</sup> x d (m)
- Live load
- Working operations  $Q_{2,p}$  = 0,75 kN/m<sup>2</sup>
- Live load = 0,1 x  $Q_{2,b}$  (mit 0,75 kN/m<sup>2</sup> <  $Q_4$  < 1,75 kN/m<sup>2</sup>)
- Concreting  $Q_4$  =  $Q_1 + Q_{2,b} + Q_{2,p} + Q_4$

Total load

### Note:

Intermediate values of the permissible loads and resultant leg loads may be interpolated linearly.  
Maximum deflection in accordance with DIN 18218, Table 3, Line 6.



# VARIODECK Steel Waler Slab Table



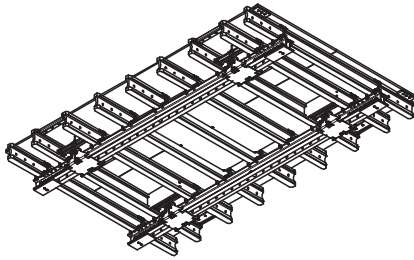
Item no.	Weight kg
117336	549,000
117337	603,000

## Tables VD 400

### Table VD 200/215 x 400

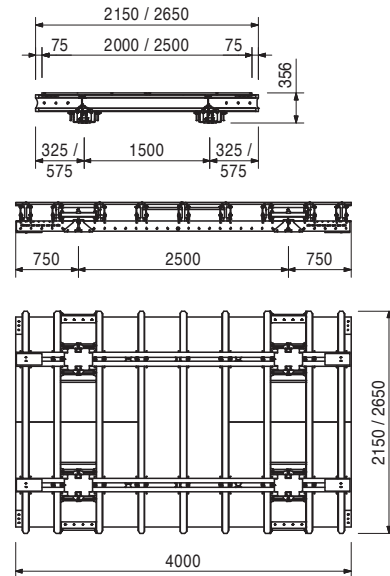
### Table VD 250/265 x 400

Pre-assembled, rentable slab table.  
Plywood 21 mm.



## Complete with

8 pc. 117176 Table Head Upper Part VD  
4 pc. 117185 Table Head Middle Part VD



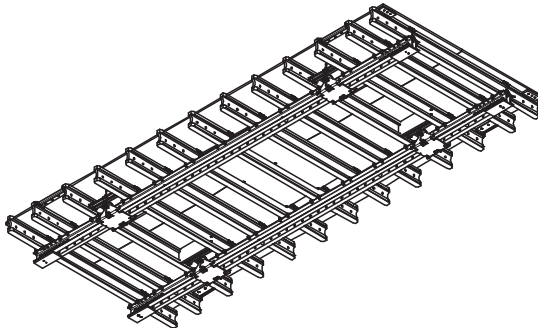
117193	767,000
117308	845,000

## Tables VD 600

### Table VD 200/216 x 600

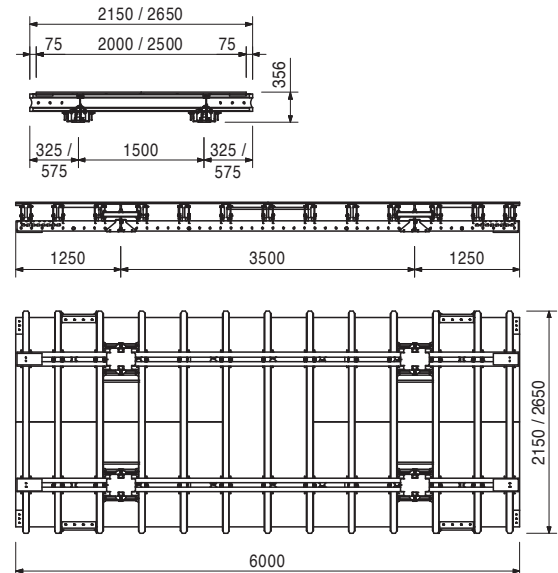
### Table VD 250/265 x 600

Pre-assembled, rentable slab table.  
Plywood 21 mm.



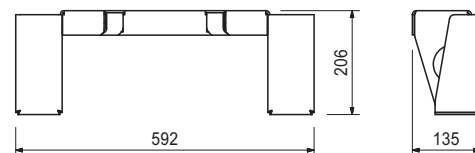
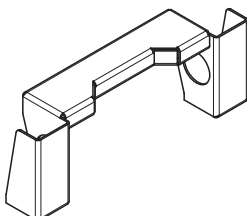
## Complete with

8 pc. 117176 Table Head Upper Part VD  
4 pc. 117185 Table Head Middle Part VD



117189	2,200
--------	-------

## Edge Protector, galv.



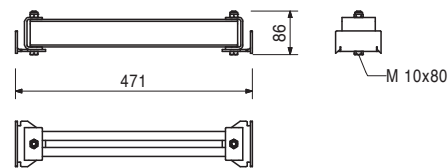
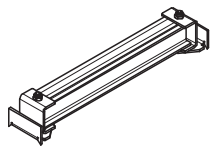
# VARIODECK Steel Waler Slab Table



Item no.	Weight kg
117176	3,080

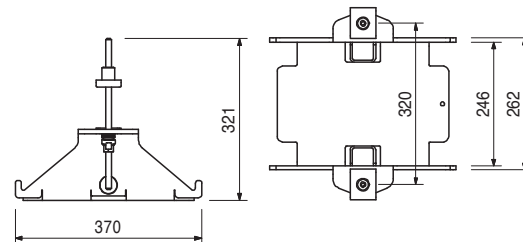
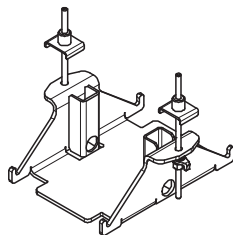
**Table Head Upper Part VD**  
For assembling PERI Slab Tables.

**Note**  
Always use in pairs.



117185	10,500
--------	--------

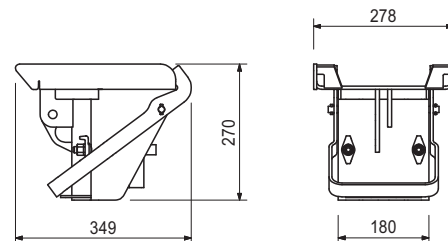
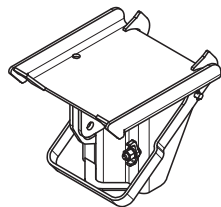
**Table Head Middle Part VD**  
For assembling PERI Slab Tables.



100956	11,900
--------	--------

**Table Swivel Head, Lower Part**  
For assembling PERI Table Module VT. With quick-release clamp for slab props from  $\varnothing$  57 mm as well as PERI MULTIPROP props.

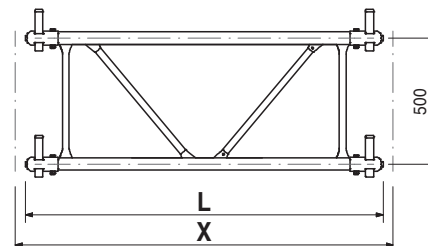
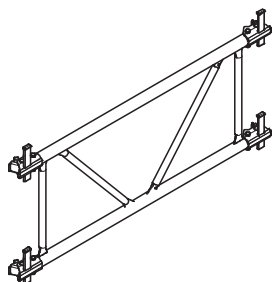
**Technical Data**  
Bearing capacity 56.0 kN.



028350	16,300
117358	17,000

**MULTIPROP Frames MRK**  
**Frame MRK 150**  
**Frame MRK 350**  
Bracing frame for MULTIPROP Slab Prop. For connecting to outer and inner tube. With captive wedge coupling.

L	X
1420	1500
3420	3500

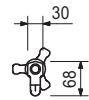
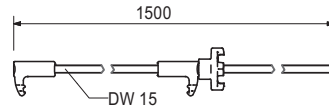
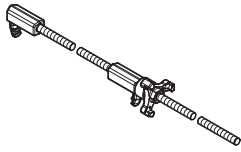


# VARIODECK Steel Waler Slab Table



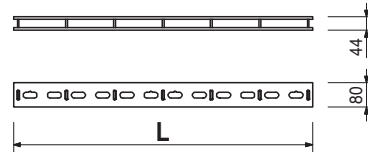
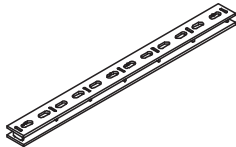
Item no.	Weight kg
117576	1,000

**Coupling VD**  
For longitudinal connection of Slab Tables VD.



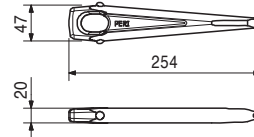
013010	9,000
--------	-------

**Coupling VKZ 99**  
For connection of SRZ and SRU steel walers.



024240	0,805
--------	-------

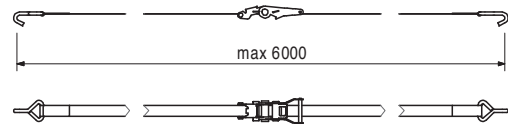
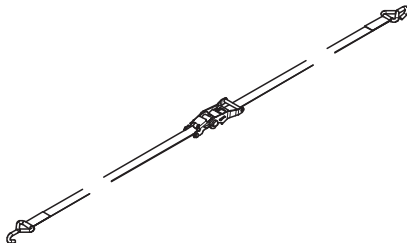
**Wedge KZ, galv.**  
For connecting panels with VARIO Couplings or Tie Yoke SKZ.



107895	1,430
--------	-------

**Tension Belt STLB**  
For fixing of Single Roller STE at SKYTABLE.

**Note**  
2 pieces required per Single Roller STE.



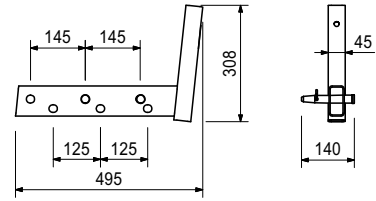
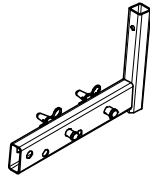
Item no.	Weight kg
104131	3,940

## Guardrail Holder SRU/SRZ

For assembling a guardrail to the Steel Walers SRU and SRZ, Profile U 100 to U 140.

## Complete with

2 pc. 105400 Bolt Ø 20 x 140, galv.  
2 pc. 018060 Cotter Pin 4/1, galv.



Accessories

061260	6,150
--------	-------

## Guardrail Post SGP

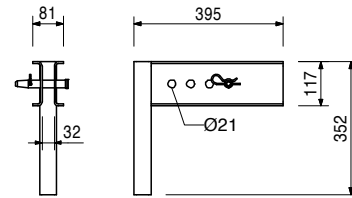
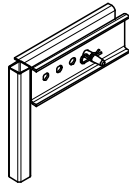
101290	5,670
--------	-------

## Guardrail Holder GT 24 / VT 20

For assembling a guardrail on GT 24 and VT 20 girders.

## Complete with

1 pc. 105400 Bolt Ø 20 x 140, galv.  
1 pc. 018060 Cotter Pin 4/1, galv.



Accessories

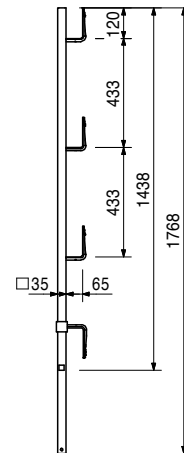
061260	6,150
--------	-------

## Guardrail Post SGP

061260	6,150
--------	-------

## Guardrail Post SGP

As guardrail for different systems.



# VARIODECK Steel Waler Slab Table



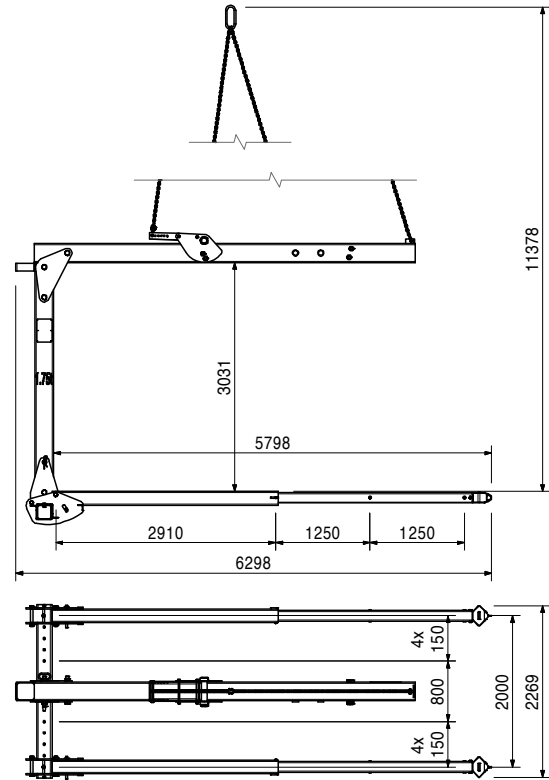
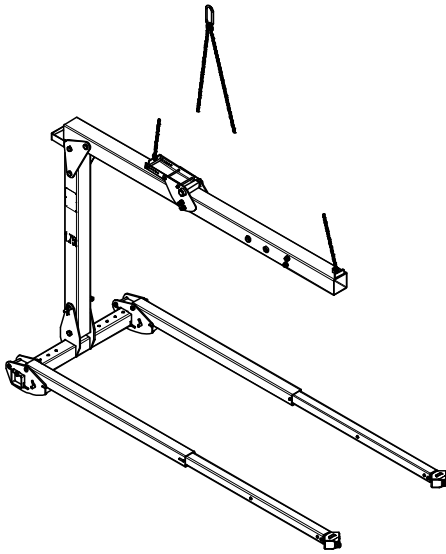
Item no.	Weight kg
103212	1610,000

## Lifting Fork 1.75 t / 8.0 m

For moving PERI Slab Tables. Table length up to 8.0 m

## Safety Instructions

Follow Instructions for Use at all times!  
Load-carrying capacity 1.75 t.



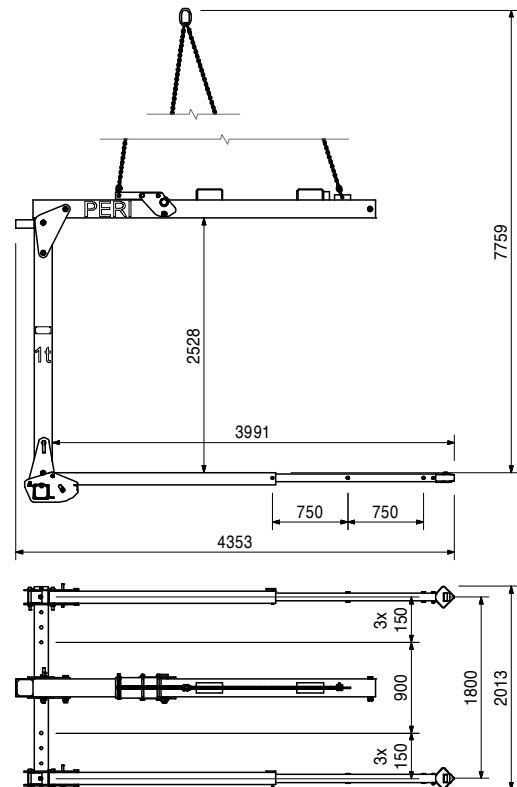
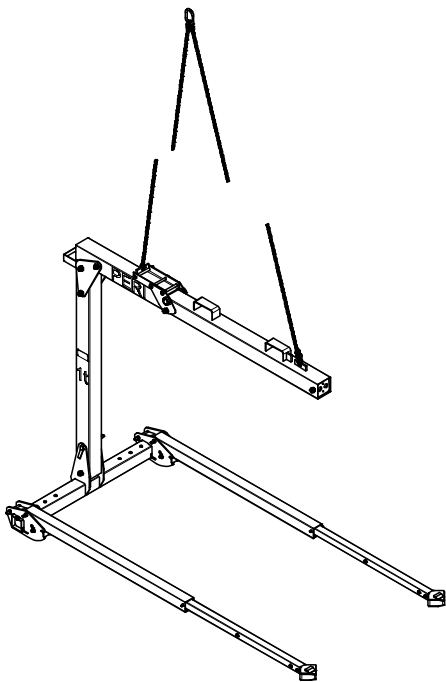
Item no.	Weight kg
101862	575,000

## Lifting Fork 1 t / 5.0 m

For moving PERI Slab Tables. Table length up to 5.0 m

## Safety Instructions

Follow Instructions for Use at all times!  
Load-carrying capacity 1.0 t.





# VARIODECK Steel Waler Slab Table

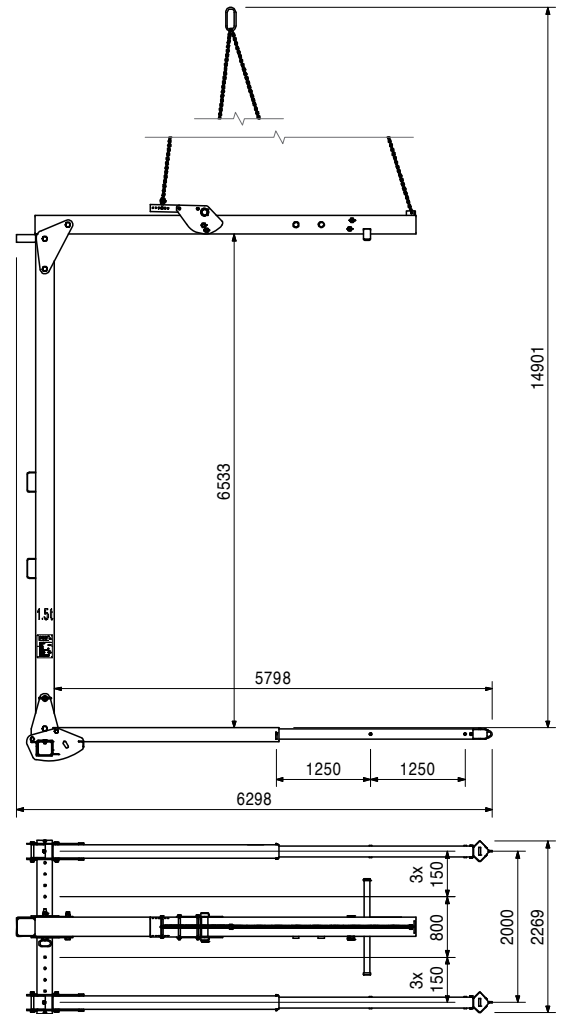
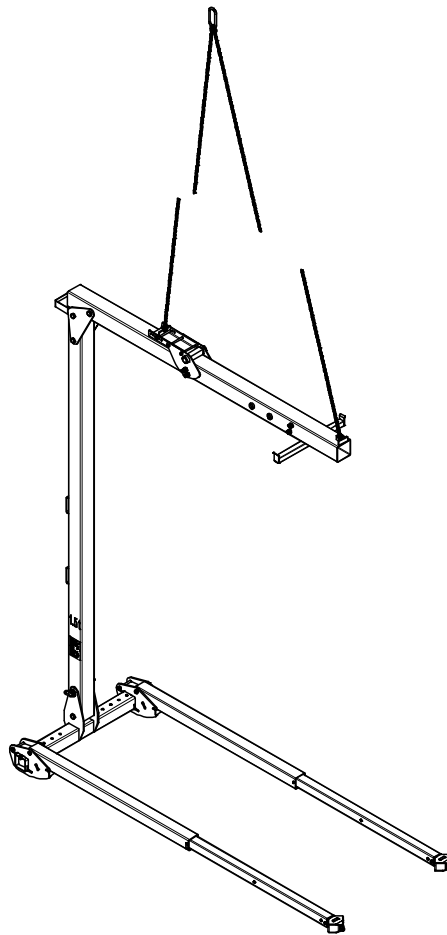


Item no.	Weight kg
115865	1840,000

**Lifting Fork 1.5 t / 8.0 m / 6.6 m**  
For moving PERI Slab Tables.

## Safety Instructions

Follow Instructions for Use at all times!  
Load-carrying capacity 1.5 t.



Item no.	Weight kg
028710	433,000
028715	428,000

## Table Trolleys 2 t

**Table Trolley 2 t, l = 2.00 m**

**Table Trolley 2 t, l = 1.70 m**

For moving PERI Slab Tables. Not approved for transporting site personnel! Only move on clean and flat surfaces with a sufficient load-bearing capacity.

## Technical Data

Utilisation height 1.45 m up to 3.20 m

With Extension 100 up to 4.20 m

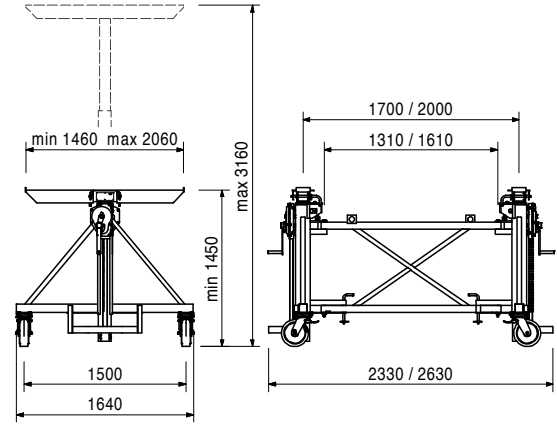
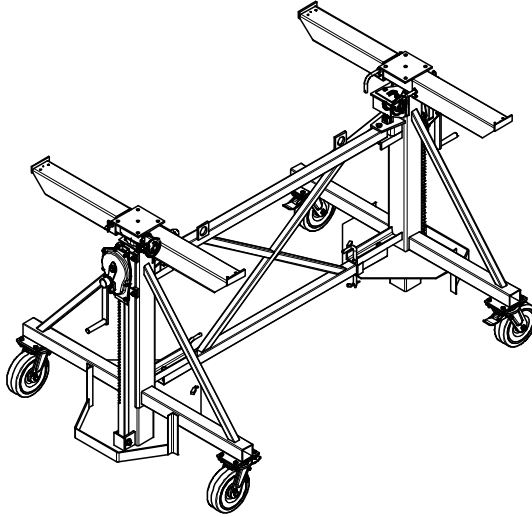
With Extension 100 und Extension 60 up to 4.80 m.

## Safety Instructions

Follow Instructions for Use at all times!

Lifting equipment according to BGV D8.

Load-carrying capacity per winch 1.0 t.



102251	26,200
101854	21,200

## Accessories

**Central cross 200**

**Central cross 170**

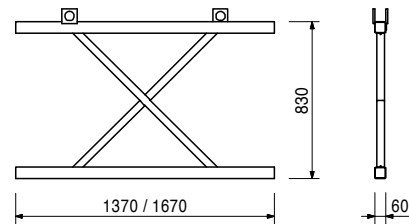
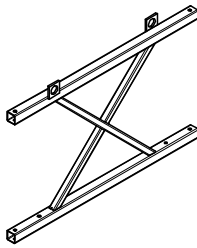
102251	26,200
101854	21,200

## Central Crosses

**Central cross 200**

**Central cross 170**

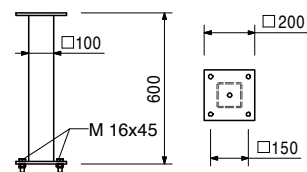
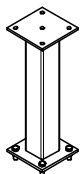
For Table Trolley 2 t, l = 2.00 m or 1.70 m.



104050	15,100
--------	--------

## Extension 60 for Table Trolley

2 pieces per Table Trolley. With the Extension 60 and Extension 100, the working height of the trolley increases: min. height 3.05 m, max. height 4.80 m



# VARIODECK Steel Waler Slab Table

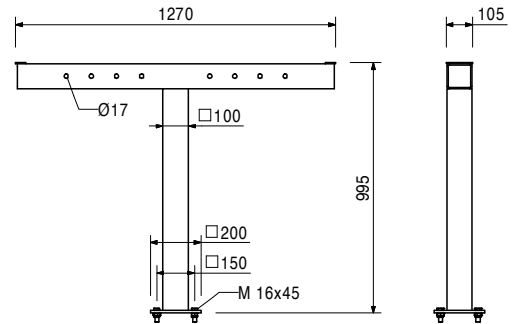
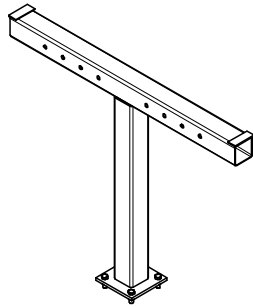


Item no.	Weight kg
028720	34,600

## Attachment 100 for Table Trolley

2 pieces per Table Trolley. Use telescopic arm of the trolley.

With the Extension 100, the working height of the trolley increases: min. height 2.45 m, max. height 4.20 m



108108	1460,000
--------	----------

## Table Lift Truck PTL 1250

For moving PERI slab tables. Not approved for transporting site personnel! Only move on clean and flat surfaces with a sufficient load-bearing capacity.

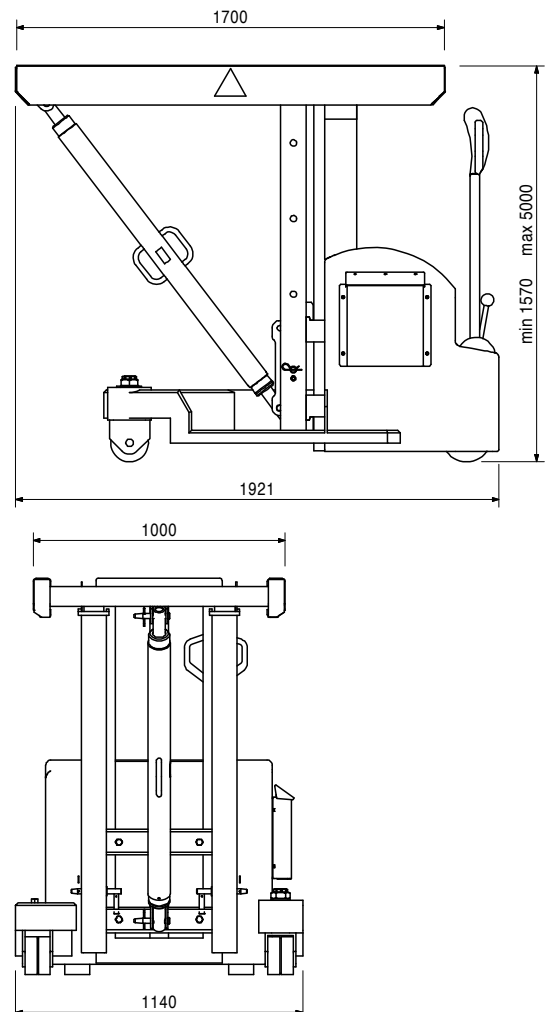
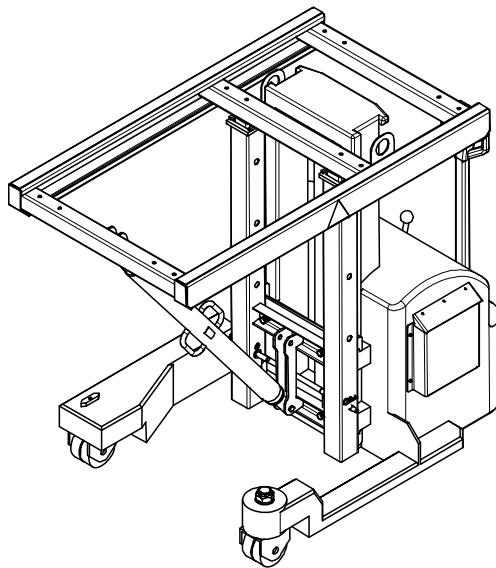
### Technical Data

Utilisation height 1.60 m up to 5.00 m. Required voltage for charging process 230 V, 50/60 Hz.

### Safety Instructions

Follow instructions for use at all times!

Floor conveyor vehicle, load-carrying capacity 1.25 t.



# VARIODECK Steel Waler Slab Table

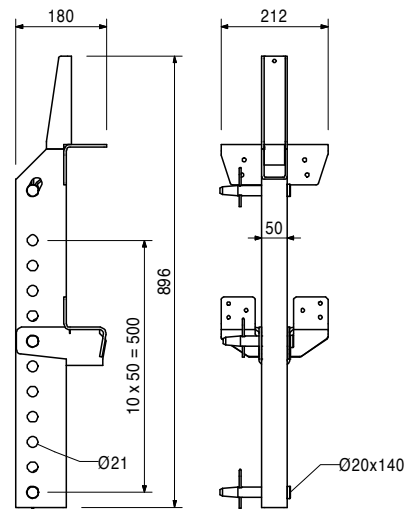
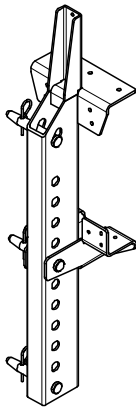


Item no.	Weight kg
117520	10,600

**Internal Bracket Beam Formwork VD**  
For forming beams with Tables VD.

**Complete with**

- 3 pc. 105400 Bolt  $\varnothing$  20 x 140, galv.
- 3 pc. 018060 Cotter Pin 4/1, galv.

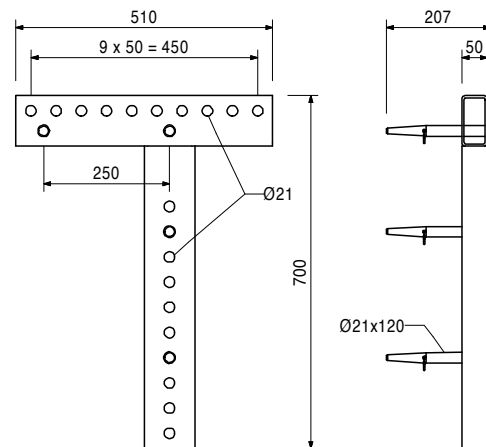
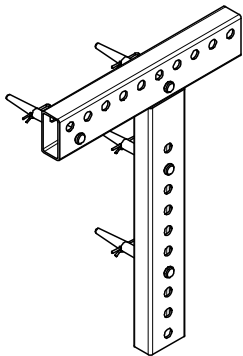


117519	11,200
--------	--------

**Connection Beam Formwork VD**  
For forming beams with Tables VD.

**Complete with**

- 4 pc. 104031 Bolt  $\varnothing$  21 x 120
- 4 pc. 018060 Cotter Pin 4/1, galv.







**01 PERI GmbH**  
 Rudolf-Diesel-Strasse  
 89264 Weissenhorn  
 info@peri.com  
 www.peri.com



**02 France**  
 PERI S.A.S.  
 77109 Meaux Cedex  
 peri.sas@peri.fr  
 www.peri.fr

**03 Switzerland**  
 PERI AG  
 8472 Ohringen  
 info@peri.ch  
 www.peri.ch

**04 Spain**  
 PERI S.A.  
 28110 Algete - Madrid  
 info@peri.es  
 www.peri.es

**05 Belgium/Luxembourg**  
 N.V. PERI S.A.  
 1840 Londerzeel  
 info@peri.be  
 www.peri.be

**06 Netherlands**  
 PERI B.V.  
 5480 AH-Schijndel  
 info@peri.nl  
 www.peri.nl

**07 USA**  
 PERI Formwork Systems, Inc.  
 Elkridge, MD 21075  
 info@peri-usa.com  
 www.peri-usa.com

**08 Indonesia**  
 PT Beton Perkasa Wijaksana  
 Jakarta 10210  
 bpw@betonperkasa.com  
 www.peri.com

**09 Italy**  
 PERI S.p.A.  
 20060 Basiano  
 info@peri.it  
 www.peri.it

**10 Japan**  
 PERI Japan K.K.  
 Tokyo 103-0015  
 info@perijapan.jp  
 www.perijapan.jp

**11 United Kingdom/Ireland**  
 PERI Ltd.  
 Rugby, CV23 0AN  
 info@peri.ltd.uk  
 www.peri.ltd.uk

**12 Turkey**  
 PERI Kalıp ve İskeleleri  
 Esenyurt / İstanbul 34510  
 info@peri.com.tr  
 www.peri.com.tr

**13 Hungary**  
 PERI Kft.  
 1181 Budapest  
 info@peri.hu  
 www.peri.hu

**14 Malaysia**  
 PERI Formwork Malaysia  
 Sdn. Bhd.  
 43300 Seri Kembangan,  
 Selangor Darul Ehsan  
 info@perimalaysia.com  
 www.perimalaysia.com

**15 Singapore**  
 PERI ASIA Pte. Ltd  
 Singapore 387355  
 pha@periasia.com  
 www.periasia.com

**16 Austria**  
 PERI Ges.mbh  
 3134 Nußdorf ob der Traisen  
 office@peri.at  
 www.peri.at

**17 Czech Republic**  
 PERI spol. s r.o.  
 252 42 Jesenice u Prahy  
 info@peri.cz  
 www.peri.cz

**18 Denmark**  
 PERI Danmark A/S  
 2670 Greve  
 peri@peri.dk  
 www.peri.dk

**19 Finland**  
 PERI Suomi Ltd. Oy  
 05460 Hyvinkää  
 info@perisuomi.fi  
 www.perisuomi.fi

**20 Norway**  
 PERI Norge AS  
 3036 Drammen  
 info@peri.no  
 www.peri.no

**21 Poland**  
 PERI Polska Sp. z o.o.  
 05-860 Płochocin  
 info@peri.pl.pl  
 www.peri.pl.pl

**22 Sweden**  
 PERIform Sverige AB  
 30013 Halmstad  
 peri@periform.se  
 www.periform.se

**23 Korea**  
 PERI (Korea) Ltd.  
 Seoul 135-080  
 info@perikorea.com  
 www.perikorea.com

**24 Portugal**  
 PERIcofragens Lda  
 2790-326 Queijas  
 info@peri.pt  
 www.peri.pt

**25 Argentina**  
 PERI S.A.  
 B1625GPA Escobar – Bs. As.  
 info@peri.com.ar  
 www.peri.com.ar

**26 Brazil**  
 PERI Formas e  
 Escoramentos Ltda.  
 Vargem Grande Paulista  
 São Paulo  
 info@peribrasil.com.br  
 www.peribrasil.com.br

**27 Chile**  
 PERI Chile Ltda.  
 Colina, Santiago de Chile  
 peri.chile@peri.cl  
 www.peri.cl

**28 Romania**  
 PERI România SRL  
 077015 Balotești  
 info@peri.ro  
 www.peri.ro

**29 Slovenia**  
 PERI Slovenien  
 2000 Maribor  
 peri.slo@triera.net  
 www.peri.com

**30 Slovakia**  
 PERI spol. s r.o.  
 903 01 Senec  
 info@peri.sk  
 www.peri.sk

**31 Australia**  
 PERI Australia Pty. Ltd.  
 Glendenning NSW 2761  
 info@periaus.com.au  
 www.periaus.com.au

**32 Estonia**  
 PERI AS  
 76406 Saku vald  
 Harjumaa  
 peri@peri.ee  
 www.peri.ee

**33 Greece**  
 PERI Hellas Ltd.  
 194 00 Koropi  
 info@perihellas.gr  
 www.perihellas.gr

**34 Latvia**  
 PERI SIA  
 2118 Salaspils novads,  
 Rigas rajons  
 info@peri-latvija.lv  
 www.peri-latvija.lv

**35 United Arab Emirates**  
 PERI (L.L.C.)  
 Dubai  
 perillc@perime.com  
 www.perime.com



- 36 Canada**  
PERI Formwork Systems, Inc.  
Bolton, ON – L7E 1K1  
info@peri.ca  
www.peri.ca
- 37 Lebanon**  
Lebanon Representative Office  
Jdeideh  
lebanon@peri.de  
www.peri.de
- 38 Lithuania**  
PERI UAB  
02300 Vilnius  
info@peri.lt  
www.peri.lt
- 39 Morocco**  
PERI S.A.  
Tanger  
peri25@menara.ma  
www.peri.com
- 40 Israel**  
PERI Formwork  
Engineering Ltd  
Petach Tikva, 49002  
info@peri.co.il  
www.peri.co.il
- 41 Bulgaria**  
PERI Bulgaria EOOD  
1839 Sofia  
peri.bulgaria@peri.bg  
www.peri.bg
- 42 Iceland**  
Armar ehf.  
220 Hafnarfjörður  
www.armor.is
- 43 Kazakhstan**  
TOO PERI Kazakhstan  
050010 Almaty  
peri@peri.kz  
www.peri.kz
- 44 Russian Federation**  
OOO PERI  
142403 Noginsk  
moscow@peri.ru  
www.peri.ru
- 45 South Africa**  
Wiehahn Formwork and  
Scaffolding (Pty) Ltd.  
7600 Stellenbosch  
info@wiehahn.co.za  
www.wiehahn.co.za
- 46 Ukraine**  
TOW PERI Ukraina  
07400 Brovary  
peri@peri.ua  
www.peri.ua
- 47 Egypt**  
Egypt Branch Office  
11361 Heliopolis / Cairo  
info@peri.com.eg  
www.peri.com.eg
- 48 Serbia**  
PERI Oplate d.o.o.  
11272 Dobanovci  
office@peri.co.yu  
www.peri.co.yu
- 49 Mexico**  
PERI Cimbras y Andamios,  
S.A. de C.V.  
Estado de México,  
info@peri.com.mx  
www.peri.com.mx
- 50 Azerbaijan**  
PERI Kalıp ve İskeleleri  
Baku  
peribaku@peri.com.tr  
www.peri.com.tr
- 51 Turkmenistan**  
PERI Kalıp ve İskeleleri  
Aşgabat  
ahmet.kadioglu@peri.com.tr  
www.peri.com.tr
- 52 Belorussia**  
PERI Belarus  
220030 Minsk  
peri@mail.belpak.by  
www.peri.com
- 53 Croatia**  
PERI oplate i skele d.o.o.  
10 250 Donji Stupnik/  
Zagreb  
info@peri.com.hr  
www.peri.com.hr
- 54 Iran**  
PERI GmbH  
Iran Branch Office  
Tehran  
info@peri.ir  
www.peri.ir
- 55 India**  
PERI (India) Pvt Ltd  
Mumbai – 400064  
info@peri.in  
www.peri.in
- 56 Jordan**  
PERI GmbH - Jordan  
11947 Amman  
jordan@peri.com  
www.peri.com
- 57 Kuwait**  
PERI Kuwait  
13011 Kuwait  
kuwait@peri.com  
www.peri.com
- 58 Saudi Arabia**  
PERI Engineering  
Division of Jamjoom  
Consult Saudi Arabia  
21463 Jeddah  
info@peri.com.sa  
www.peri.com.sa
- 59 Qatar**  
PERI Qatar LLC  
Doha  
info@periqatar.com  
www.periqatar.com
- 60 Algeria**  
Société PERI S.A.S.  
Kouba - Alger  
peri.alger@peri.fr  
www.peri.fr
- 61 Albania**  
PERI Sh.p.k.  
Tirane  
erti.hasanaj@peri.com.tr  
www.peri.com.tr
- 62 Peru**  
PERI Peruana SAC  
Chorrillos, Lima  
contacto@peri.com.pe  
www.peri.com.pe
- 63 Panama**  
PERI Panama Inc.  
587 Panama City  
info@peri.com.pa  
www.peri.com.pa
- 64 Angola**  
PERIcofragens, Lda.  
Luanda  
renato.portugal@peri.pt  
www.peri.pt
- 65 Nigeria**  
Heights Access Nigeria Ltd.  
Victoria Island, Lagos  
info@heightsaccessng.com  
www.heightsaccessng.com
- 66 Oman**  
PERI (L.L.C.)  
Muscat  
perimct@perime.com  
www.perime.com

# PERI Product Range



## Wall Formwork

Panel Formwork  
Girder Formwork  
Circular Formwork  
Facade Formwork  
Brace Frame



## Climbing Systems

Climbing Scaffold  
Self-Climbing System  
Climbing Protection Panel  
Platform Systems



## Column Formwork

Square  
Rectangular  
Circular



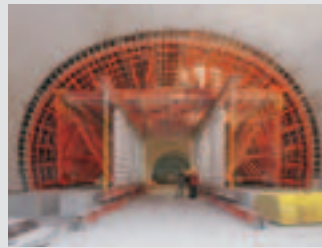
## Scaffold, Stairways, Working Platforms

Facade Scaffold  
Working Platform  
Weather Protection Roof  
Stairway Access



## Slab Formwork

Panel Formwork  
Beam Grid Formwork  
Girder Formwork  
Slab Table  
Beam Formwork



## Bridge and Tunnel Formwork

Cantilevered Parapet Carriage  
Cantilevered Parapet Platform  
Engineer's Construction Kit



## Shoring Systems

Steel Slab Props  
Aluminium Slab Props  
Tower Systems  
Heavy-Duty Props



## Services

Formwork Assembly  
Cleaning / Repairs  
Formwork Planning  
Software  
Statics  
Special Constructions

Additional Systems  
Plywood  
Formwork Girders  
Stopend Systems  
Pallets  
Transportation Containers



## PERI GmbH Formwork Scaffolding Engineering

P.O. Box 1264  
89259 Weissenhorn  
Germany  
Tel +49 (0)73 09.9 50-0  
Fax +49 (0)73 09.9 51-0  
info@peri.com  
www.peri.com